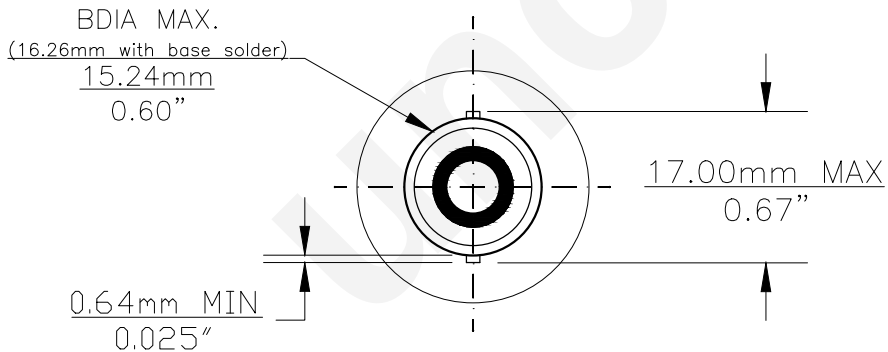
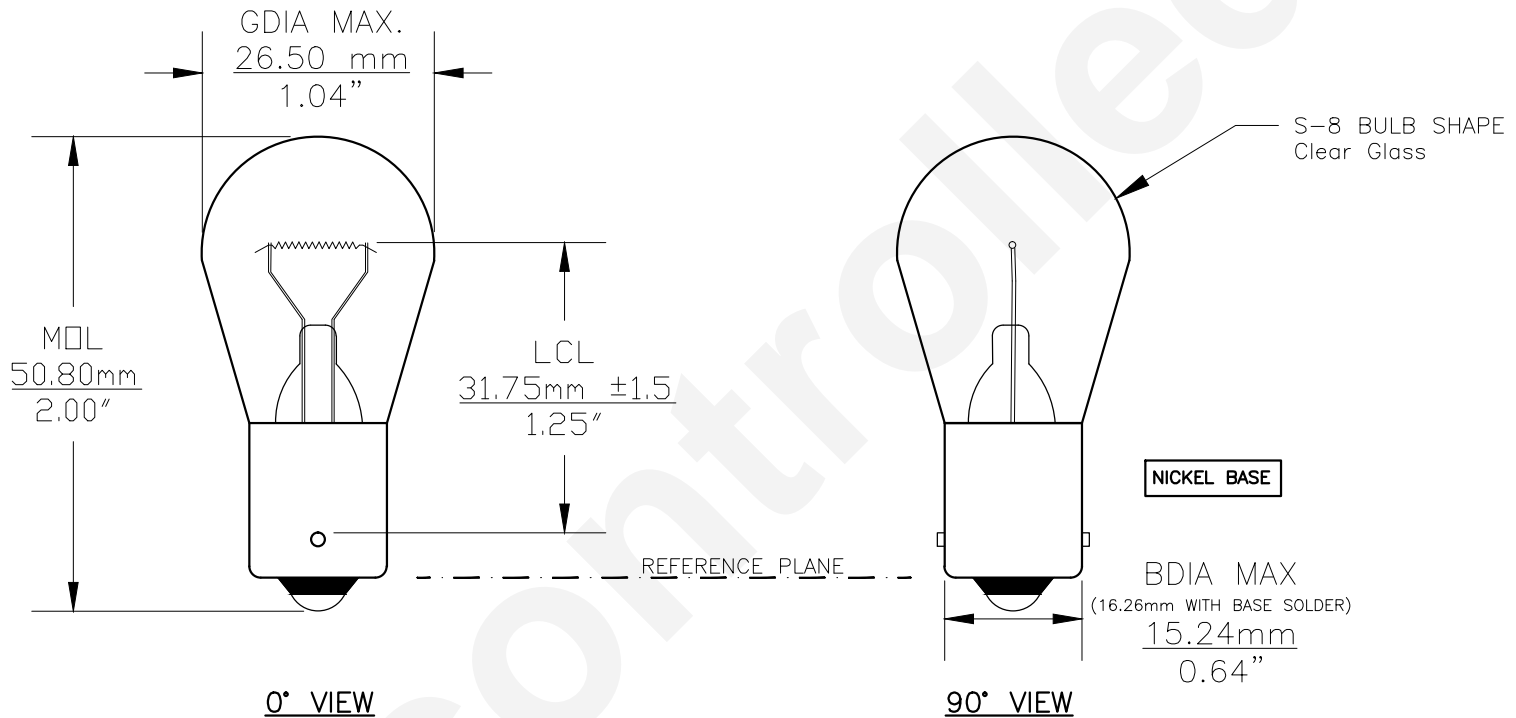




PART NO.	BASE TYPE	DESIGN VOLTS	DESIGN AMPS	MSCD	FILAMENT TYPE	AVERAGE LIFE HOURS	REVISIONS			
							REV #	DESCRIPTION	DATE	APPROVED
199-I	S.C. Bayonet (BA15s)	12.8V	2.25±5%	32±15%	C-6	1200	1	ISSUED	07/01/2014	R.M.



Note: Made according to SAE specifications



UNLESS OTHERWISE SPECIFIED: DIMENSIONS ARE IN INCHES TOLERANCES		CEC INDUSTRIES LTD			
DECIMALS	ANGULAR	599 BOND STREET		LINCOLNSHIRE, IL 60069	
.XX ± .05	± 0.5°	TITLE		LIGHT BULB NO. 199-I	
.XXX ± .010	± 1/64	SIZE	FSCM NO.	DWG NO.	REV
FRACTIONAL		A		199-I	1
DRAWN	DATE	SCALE	PLOT SCALE	SHEET 1 OF 1	
ROSE MEDINA	07/01/2014				
CHECKED		FILE	DRAWING NOT TO SCALE		
DESIGN		199-I.pdf			
MATERIAL					