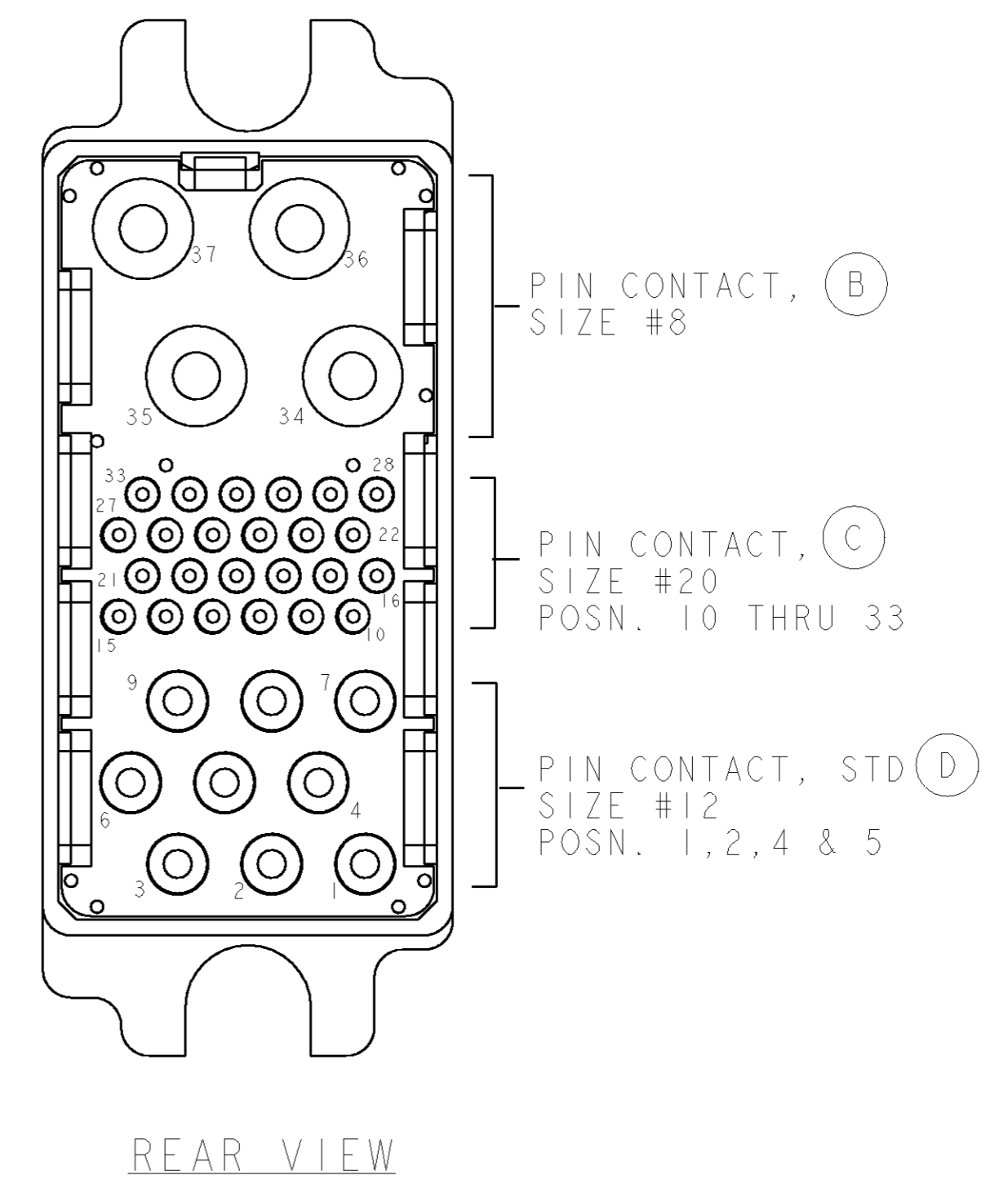
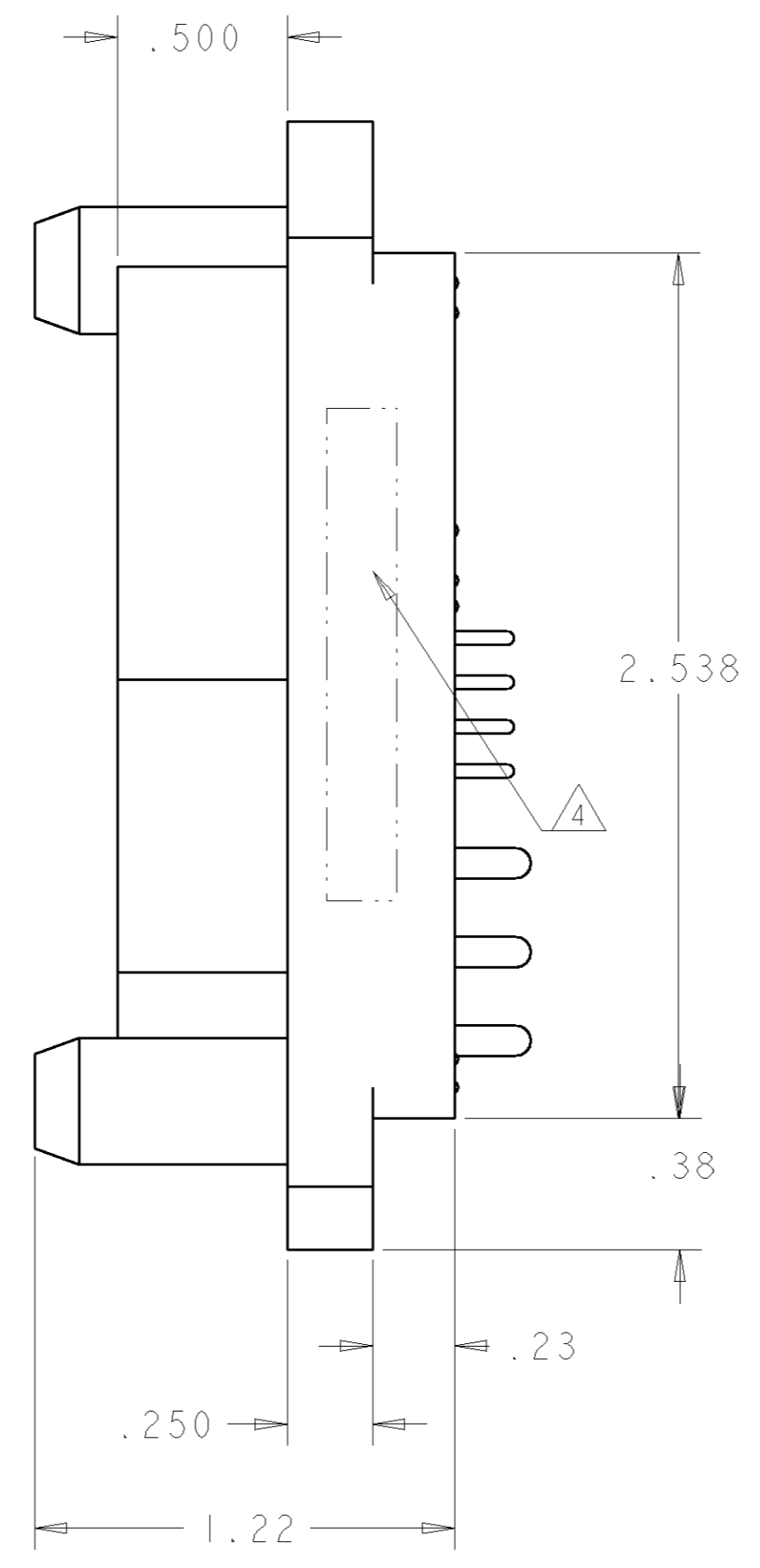
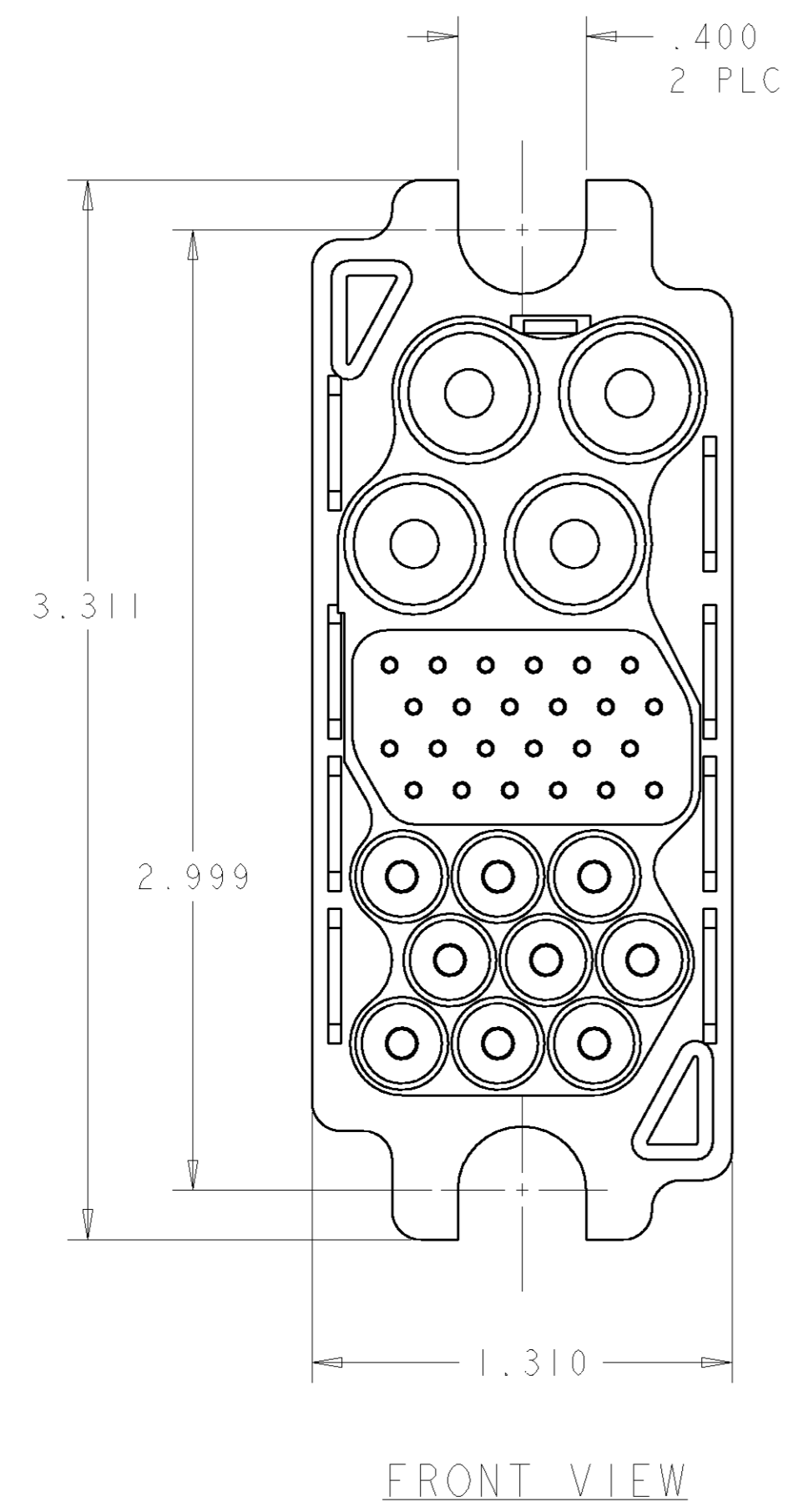


LOC	DIST	REVISIONS					
GP	00	P	LTR	DESCRIPTION	DATE	DWN	APVD
			A	NEW RELEASE	11JUL2007	RG	DO



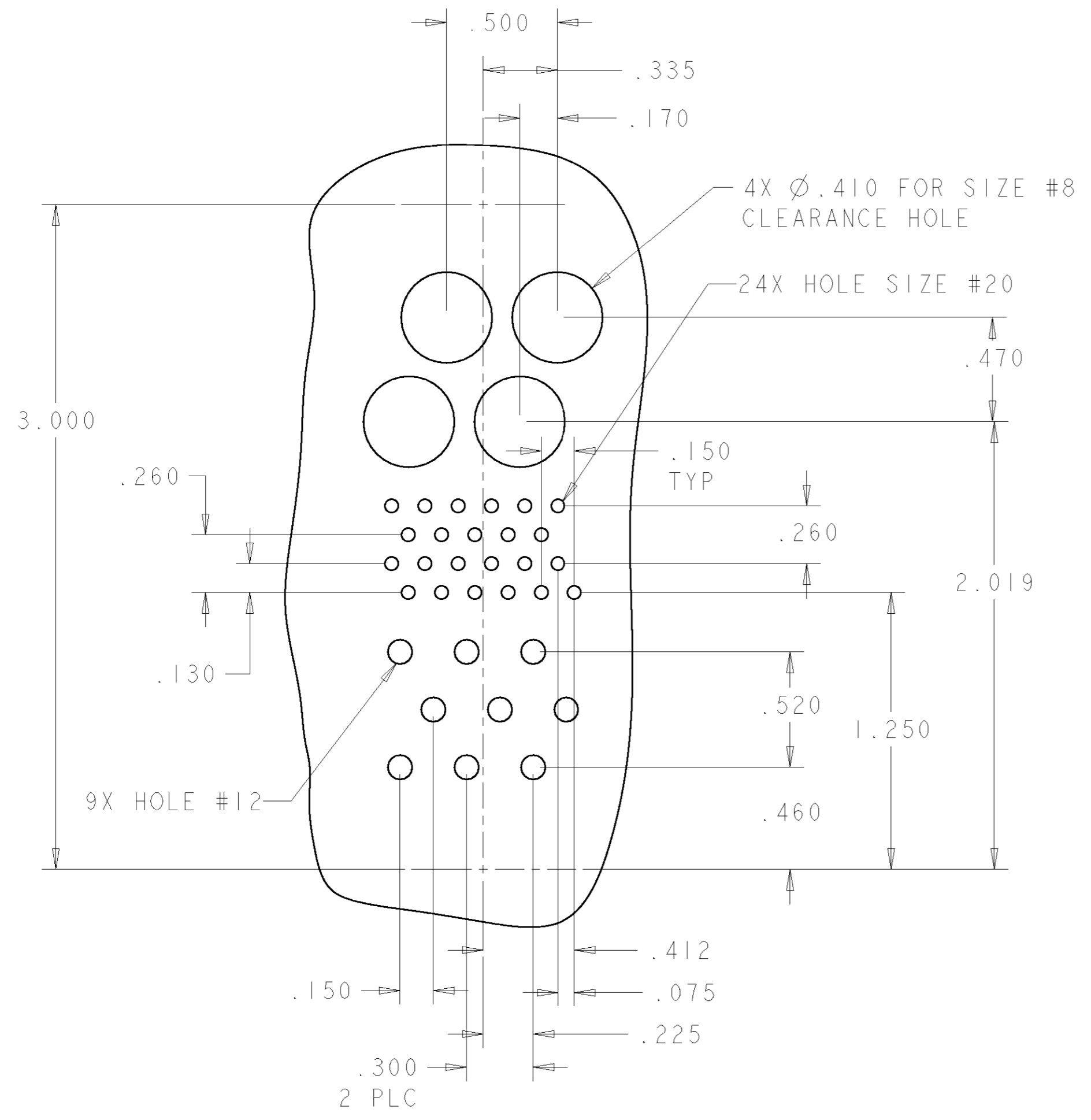
AS SHOWN	1766997-1
DESCRIPTION	PART NUMBER

<small>THIS DRAWING IS A CONTROLLED DOCUMENT FOR TYCO ELECTRONICS CORPORATION. IT IS SUBJECT TO CHANGE AND THE CONTROLLING ENGINEERING ORGANIZATION SHOULD BE CONTACTED FOR THE LATEST REVISION.</small>		DWN R. GRZYBOWSKI 11JULY07 CHK D. ORRIS 11JULY07 APVD S. FLICKINGER 11JULY07	tyco Tyco Electronics Electronics Harrisburg, PA 17105-3608
DIMENSIONS: INCHES 	TOLERANCES UNLESS OTHERWISE SPECIFIED: 0 PLC ± 1 PLC ± 2 PLC ±.02 3 PLC ±.010 4 PLC ±0.0000 ANGLES ±.5 FINISH	PRODUCT SPEC - APPLICATION SPEC - WEIGHT -	NAME CONNECTOR, PIN SOLDER AND CRIMP TAIL 75 AMP MIDDLE DRAWER SIZE A2 CAGE CODE 00779 DRAWING NO. 1766997 RESTRICTED TO -
MATERIAL -		CUSTOMER DRAWING	SCALE 4:1 SHEET 1 OF 2 REV A

ELCON 75A MIDDLE DRAWER

THIS DRAWING IS UNPUBLISHED. RELEASED FOR PUBLICATION 20
 © COPYRIGHT 20 BY TYCO ELECTRONICS CORPORATION. ALL RIGHTS RESERVED.

LOC	DIST	REVISIONS					
GP	00	P	LTR	DESCRIPTION	DATE	DWN	APVD
		-		SEE SHEET 1			



PRINTED CIRCUIT BOARD LAYOUT
 VIEW FROM CONNECTOR MOUNTING SIDE

HOLE SIZE #12
 FINISHED HOLE: $\phi .104 \pm .003$
 DRILLED HOLE: $\phi .1065 \pm .0005$
 COPPER PLATE: .0010 MIN
 TIN PLATE: .0002 MIN THK.
 HOLE SIZE #20
 FINISHED HOLE: $\phi .047 \pm .003$
 DRILLED HOLE: $\phi .0453 \pm .0005$
 COPPER PLATE: .0010 MIN
 TIN PLATE: .0002 MIN THK.

- PART NUMBER CHANGES AND OR DESIGN CHANGES AFFECTING THE INTERCHANGEABILITY REQUIRE PRIOR TYCO ELECTRONICS APPROVAL AND AUTHORIZATION BY REVISION TO THIS DRAWING.
- MATERIAL:
 INSULATOR: THERMOPLASTIC, GLASS REINFORCED, UL 94V-0
 FLAMMABILITY RATED, COLOR: BLACK
 CONTACT SIZE #20 & #12: BRASS ALLOY
 CONTACT SIZE #8: TELLURIUM COPPER ALLOY
 RETENTION CLIP: COPPER ALLOY OR STAINLESS STEEL
- FINISH:
 CONTACTS SIZE #8 : .000200 MIN THK. SILVER OVER
 CONTACTS SIZE #12 : .000040 MIN NICKEL
 CONTACTS SIZE #20 : .000030 MIN GOLD OVER
 .000040 MIN NICKEL

△ ITEMS PROVIDED TO THIS SPECIFICATION TO BE PERMANENTLY IDENTIFIED PER THE FOLLOWING IDENTIFIER:
 TYCO ELECTRONICS P/N: XXXXXX-X DATE CODE (e.g. 0216): XXXX
 YEAR WEEK

△ PCB TAIL CONTACTS (ITEMS C THRU D) ARE INSERTABLE/ NON-REMOVABLE LOCATED AS SHOWN:
 SIZE #12 - STD - POSN 1, 2, 4 AND 5
 SIZE #20 - POSN 10 THRU 33

△ CONTACTS SIZE #8 (ITEM B) ARE PACKAGED IN SEPARATE BAGS AND SHIPPED LOOSE WITH THE CONNECTOR ASSY.

△ 2	1766250-1	CONTACT, PIN, SIZE #12, PCB TAIL, PREMATE	D
△ 24	1650065-1	CONTACT, PIN, SIZE #20, PCB TAIL, PREMATE	C
△ 2	1766192-1	CONTACT, PIN, SIZE #8, CRIMP, STD	B
1	1648163-2	HOUSING, PIN, FLUSH MOUNT	A
-1	PART NUMBER	DESCRIPTION	ITEM

ELCON 75A MIDDLE DRAWER

DIMENSIONS: INCHES 		TOLERANCES UNLESS OTHERWISE SPECIFIED: 0 PLC ± 1 PLC ± 2 PLC ±.02 3 PLC ±.010 4 PLC ±0.0000 ANGLES ±.5 FINISH		DWN R. GRZYBOWSKI 11 JULY 07 CHK D. ORRIS 11 JULY 07 APVD S. FLECKINGER 11 JULY 07 PRODUCT SPEC APPLICATION SPEC WEIGHT CUSTOMER DRAWING		tyco Tyco Electronics Harrisburg, PA 17105-3608 NAME: CONNECTOR, PIN SOLDER AND CRIMP TAIL 75 AMP MIDDLE DRAWER SIZE: A2 CAGE CODE: 00779 DRAWING NO: 1766997 RESTRICTED TO: - SCALE: 4:1 SHEET 2 OF 2 REV A	
------------------------	--	--	--	--	--	--	--