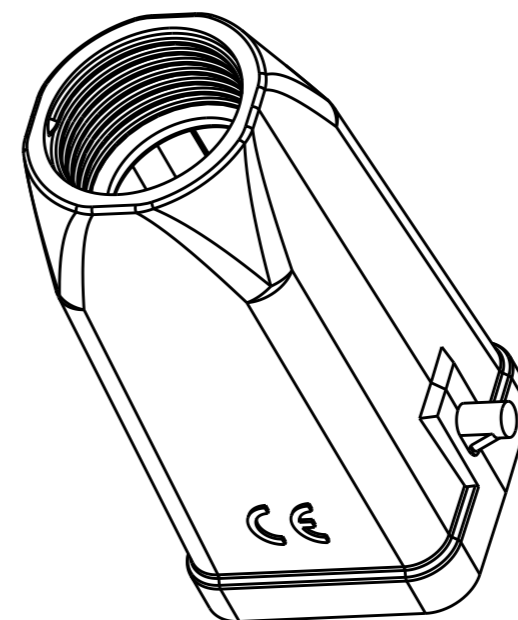
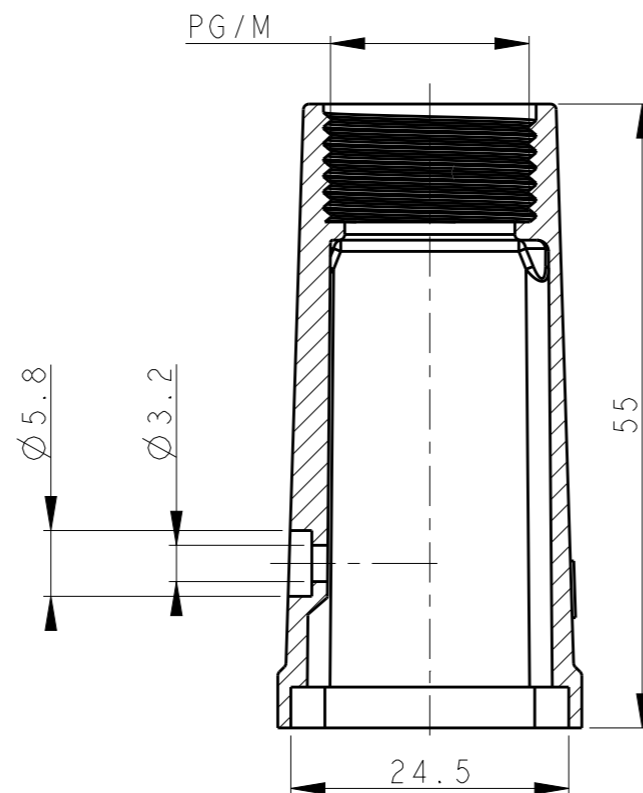
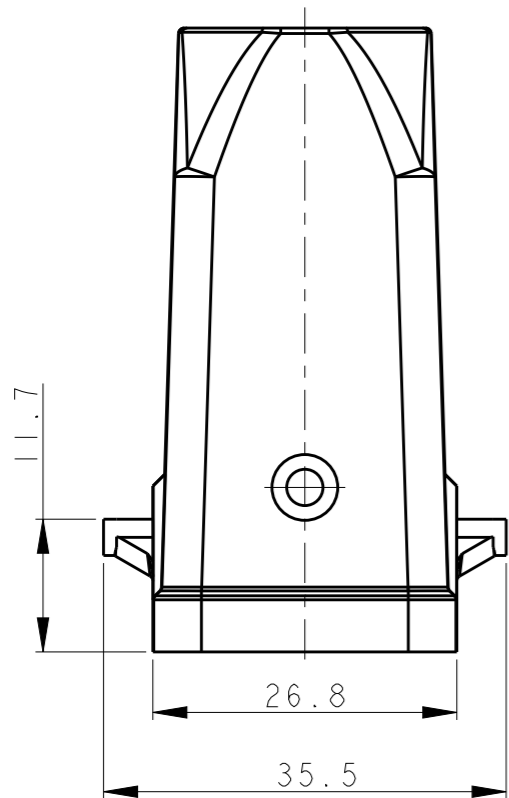


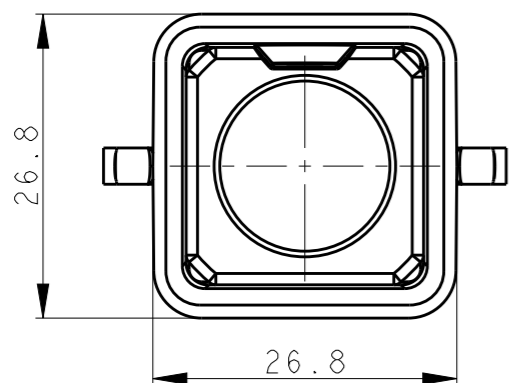
REVISIONS

P	LTR	DESCRIPTION	DATE	DWN	APVD
B		ECR-18-016778	27OCT2018	GY	CW
C		ECR-18-017120	16MAR2019	BS	CW
D		ECR-20-006618	10JUN2020	CD	CW
E		ECR-20-008412	26NOV2020	BS	CW



NOTES:
 1. TECHNICAL CHARACTERISTICS:
 BODY MATERIAL: PC
 DEGREE OF PROTECTION: IP65 (MATED)

注释:
 1. 技术参数:
 主体材料: PC
 防护等级: IP65(配合)



T1329031111-000	H3A-TG-PG11	H3A PLASTIC HOOD, TOP ENTRY PG11, 2 EAR, GREY H3A塑料上壳, 顶出PG11, 2耳, 灰色	PG11
T1329031120-000	H3A-TG-M20	H3A PLASTIC HOOD, TOP ENTRY M20, 2 EAR, GREY H3A塑料上壳, 顶出M20, 2耳, 灰色	M20
PART NUMBER 零件料号	PART DESCRIPTION 零件描述		PG/M THREAD PG/M 螺纹孔

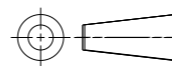
THIS DRAWING IS A CONTROLLED DOCUMENT.

DWN 22APR2015
 DAVID LI
 CHK 22APR2015
 CHRIS WANG
 APVD 22APR2015
 XU XIANG



DIMENSIONS:
mm

TOLERANCES UNLESS OTHERWISE SPECIFIED:



0 PLC ±-
 1 PLC ±-
 2 PLC ±-
 3 PLC ±-
 4 PLC ±-
 ANGLES ±-

NAME H3A-TG-PG/M

PRODUCT SPEC 108-137134

APPLICATION SPEC 114-137134

SIZE A3 CAGE CODE - DRAWING NO. ©-T13290311XXX00 RESTRICTED TO -

MATERIAL - FINISH - WEIGHT -
 CUSTOMER DRAWING

SCALE 3:2 SHEET 1 OF 1 REV E