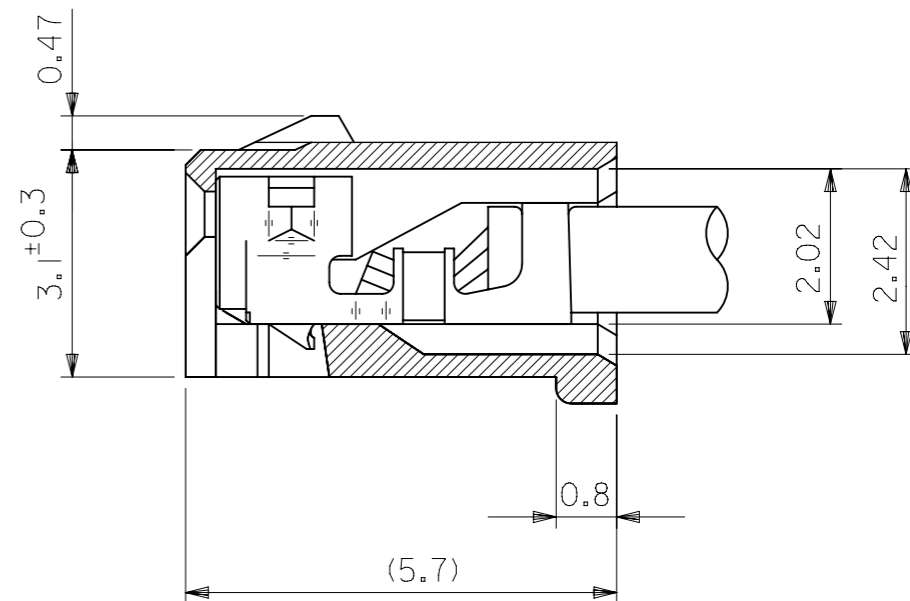
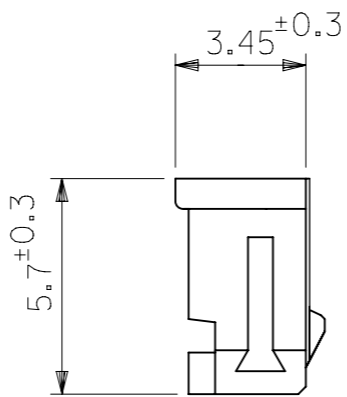
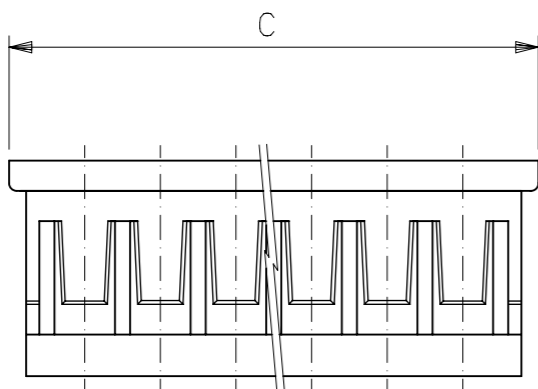
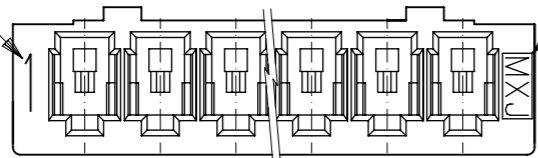
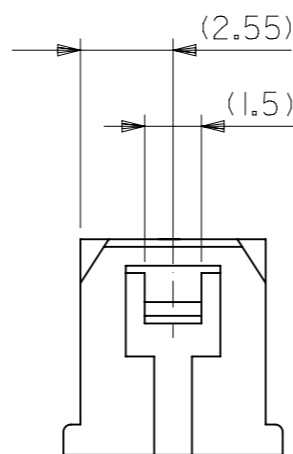
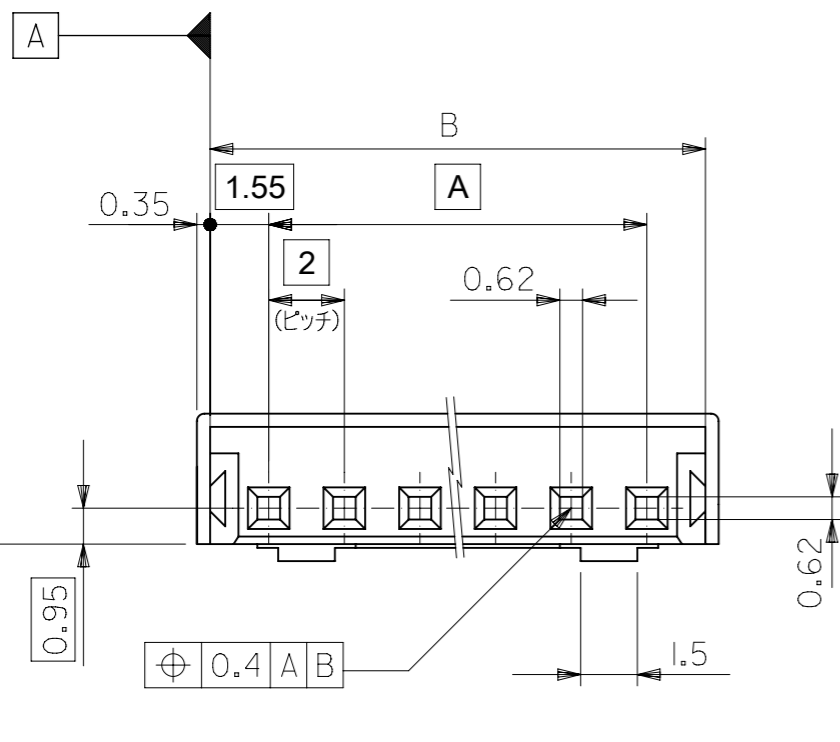


回路番号
CIRCUIT NO.

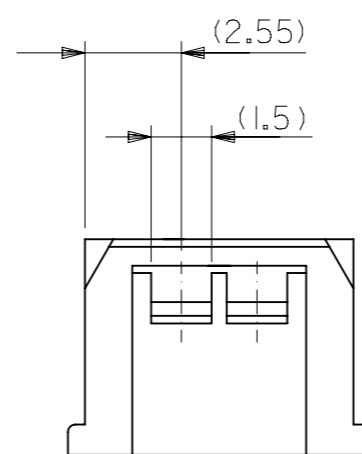
5 トレードマーク
TRADE MARK



ターミナル装着状態図
TERMINAL ASSEMBLY DRAWING
(10:1)



2極の場合
IN CASE OF
2 CIRCUIT HSG.



3極の場合
IN CASE OF
3 CIRCUIT HSG.

31.8	31.1	28	51065-150*	15
29.8	29.1	26	-140*	14
27.8	27.1	24	-130*	13
25.8	25.1	22	-120*	12
23.8	23.1	20	-110*	11
21.8	21.1	18	-100*	10
19.8	19.1	16	-090*	9
17.8	17.1	14	-080*	8
15.8	15.1	12	-070*	7
13.8	13.1	10	-060*	6
11.8	11.1	8	-050*	5
9.8	9.1	6	-040*	4
7.8	7.1	4	-030*	3
5.8	5.1	2	51065-020*	2
C	B	A	PLASTIC BAG オーダー番号 ORDER NO.	極数 CIRCUITS

CONNECTOR SERIES NO. 51065-**0*

THIS DRAWING CONTAINS INFORMATION THAT IS PROPRIETARY TO MOLEX ELECTRONIC TECHNOLOGIES, LLC AND SHOULD NOT BE USED WITHOUT WRITTEN PERMISSION		SCALE 5:1		CURRENT REV DESC: OBSOLETE PART NUMBER		molex	
DIMENSION UNITS mm		GENERAL TOLERANCES (UNLESS SPECIFIED)		EC NO: 618242 DRWN: AKUMAR19 CHK'D: GGA APPR: GGA			
GENERAL TOLERANCES (UNLESS SPECIFIED)		MM INCH		INITIAL REVISION:		PRODUCT CUSTOMER DRAWING	
4 PLACES ±		±		DRWN: S.AIHARA APPR: M.ENOMOTO		DOCUMENT NUMBER SD-51065-004	
3 PLACES ±		±		1989/09/21 1990/01/18		DOC TYPE DOC PART REVISION PSD 001 F	
2 PLACES ±		±		DRAFT WHERE APPLICABLE MUST REMAIN WITHIN DIMENSIONS		MATERIAL NUMBER SEE TABLE	
1 PLACE ±		±		THIRD ANGLE PROJECTION		CUSTOMER GENERAL MARKET	
0 PLACES ±		±		DRAWING A3-SIZE		SHEET NUMBER 1 OF 2	
ANGULAR TOL ± 3.0°		SERIES 51065		DRAWING A3-SIZE		SHEET NUMBER 1 OF 2	

GENERAL TOLERANCES (UNLESS SPECIFIED)	
10 ^{UNDER}	±0.2
10 ^{OVER} 30 ^{UNDER}	±0.25
30 ^{OVER}	±0.3

注記 NOTES

- 適合ターミナル : 50212 , 50372 シリーズ
APPLICABLE TERMINAL : 50212 , 50372 SERIES
- 適合相手 : 53253 , 53254 シリーズ
MATE WITH : 53253 , 53254 SERIES
- 材質 : PBT , UL94V-0
MATERIAL : PBT , UL94V-0

△4 オーダー番号 ORDER NO.

51065-***0*

極数
CIRCUIT SIZE

色番号
COLOR CODE

0	自然色 (白) NATURAL (WHITE)
1	黒 BLACK
2	赤 RED
3	黄 YELLOW
4	青 BLUE
6	緑 GREEN

△5 トレードマーク : M プラス1~2文字の製造工場を示すアルファベットにて構成。但し、"J"は JAPAN を示す。(例 MXJ)

FORMED BY M AND FROM 1 TO 2 MORE LETTER OF ALPHABET WHICH MEAN THE MANUFACTORY. BUT "J" MEANS JAPAN. (TO TRADE MARK) (e.g. MXJ).

31.8	31.1	28					51065-1501	51065-1500	15
29.8	29.1	26					51065-1401	51065-1400	14
27.8	27.1	24					51065-1301	51065-1300	13
25.8	25.1	22						51065-1200	12
23.8	23.1	20						51065-1100	11
21.8	21.1	18						51065-1000	10
19.8	19.1	16						51065-0900	9
17.8	17.1	14						51065-0800	8
15.8	15.1	12						51065-0700	7
13.8	13.1	10				51065-0602		51065-0600	6
11.8	11.1	8						51065-0500	5
9.8	9.1	6						51065-0400	4
7.8	7.1	4						51065-0300	3
5.8	5.1	2			51065-0203		51065-0201	51065-0200	2
C	B	A	GREEN	BLUE	YELLOW	RED	BLACK	NATURAL	極数
△4 オーダー番号 ORDER NO.									CIRCUITS
CONNECTOR SERIES NO. 51065-***0*									

THIS DRAWING CONTAINS INFORMATION THAT IS PROPRIETARY TO MOLEX ELECTRONIC TECHNOLOGIES, LLC AND SHOULD NOT BE USED WITHOUT WRITTEN PERMISSION													
DIMENSION UNITS mm		SCALE 1:1		CURRENT REV DESC: OBSOLETE PART NUMBER				molex		NEW 2.0 WIRE TO BOARD CONN RECEPTACLE HOUSING			
GENERAL TOLERANCES (UNLESS SPECIFIED)		MM INCH		EC NO: 618242 DRWN: AKUMAR19 2019/03/11 CHK'D: GGA 2020/02/28 APPR: GGA 2020/02/28									
4 PLACES ±		±		INITIAL REVISION: DRWN: S.AIHARA 1989/09/21 APPR: M.ENOMOTO 1990/01/18				DOCUMENT NUMBER		DOC TYPE	DOC PART	REVISION	
3 PLACES ±		±						SD-51065-004		PSD	001	F	
2 PLACES ±		±						MATERIAL NUMBER		CUSTOMER		SHEET NUMBER	
1 PLACE ±		±						SEE TABLE		GENERAL MARKET		2 OF 2	
0 PLACES ±		±		ANGULAR TOL ± 3.0°		THIRD ANGLE PROJECTION		DRAWING		SERIES			
10 ^{UNDER}		±0.2		DRAFT WHERE APPLICABLE MUST REMAIN WITHIN DIMENSIONS		A3-SIZE		51065					
10 ^{OVER} 30 ^{UNDER}		±0.25											
30 ^{OVER}		±0.3											

10 9 8 7 6 5 4 3 2 1

F

E

D

C

B

A

F

E

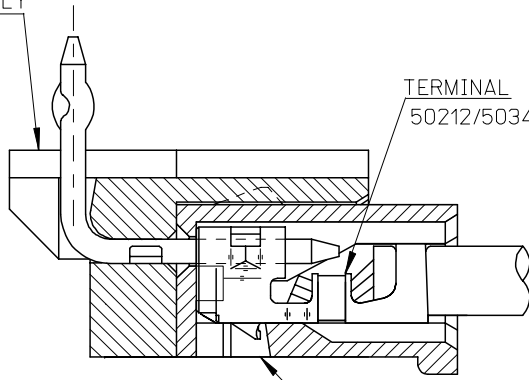
D

C

B

A

HEADER HOUSING ASSEMBLY
53254SERIES

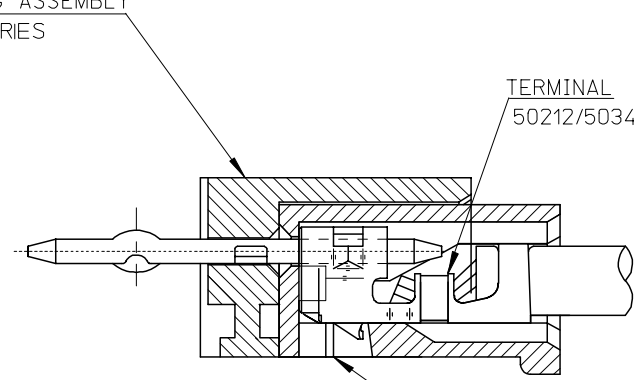


TERMINAL
50212/50346 SERIES

RECEPTACLE HOUSING
51065 SERIES

51065シリーズ/53254シリーズ 嵌合状態図 参考
51065 SERIES/53254 SERIES MATED DRAWING (REF.)

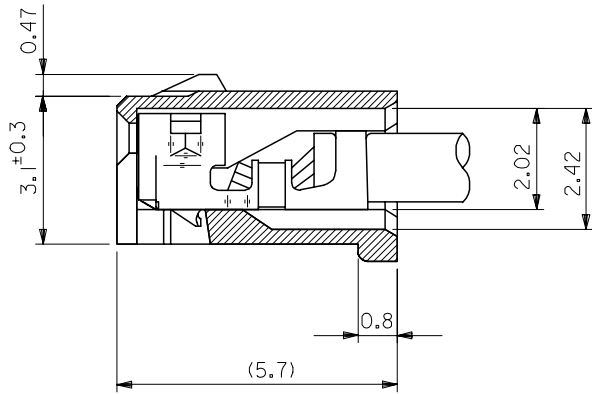
HEADER HOUSING ASSEMBLY
53253SERIES



TERMINAL
50212/50346 SERIES

RECEPTACLE HOUSING
51065 SERIES

51065シリーズ/53253シリーズ 嵌合状態図 参考
51065 SERIES/53253 SERIES MATED DRAWING (REF.)



ターミナル装着状態図
TERMINAL ASS'Y DWG.

RELEASED EC NO: J2008-2041 DRWN: AOYAGI 2007/11/21 CHKD: THARUYAMA 2007/11/22 APPR: NUKITA 2007/11/22	GENERAL TOLERANCES (UNLESS SPECIFIED)		DIMENSION STYLE MM ONLY	SCALE 10:1	DESIGN UNITS METRIC	THIRD ANGLE PROJECTION
	10 UNDER	± 0.2	DRAWN BY Y. AOYAGI	DATE 2007/11/13	TITLE NEW 2.0 W/B CONN. 51065/53253OR51065/53254	
	10 OVER 30 UNDER	± 0.25	CHECKED BY N. UKITA	DATE 2007/11/13	MOLEX INCORPORATED	
	30 OVER	± 0.3	APPROVED BY N. UKITA	DATE 2007/11/13		
	ANGULAR	± 1 °	MATERIAL NO.		DOCUMENT NO. SD-51065-006	SHEET NO. 1 OF 1
DRAFT WHERE APPLICABLE MUST REMAIN WITHIN DIMENSIONS		SEE TABLE		THIS DRAWING CONTAINS INFORMATION THAT IS PROPRIETARY TO MOLEX INCORPORATED AND SHOULD NOT BE USED WITHOUT WRITTEN PERMISSION		