

7 6 5 4 3 2 1

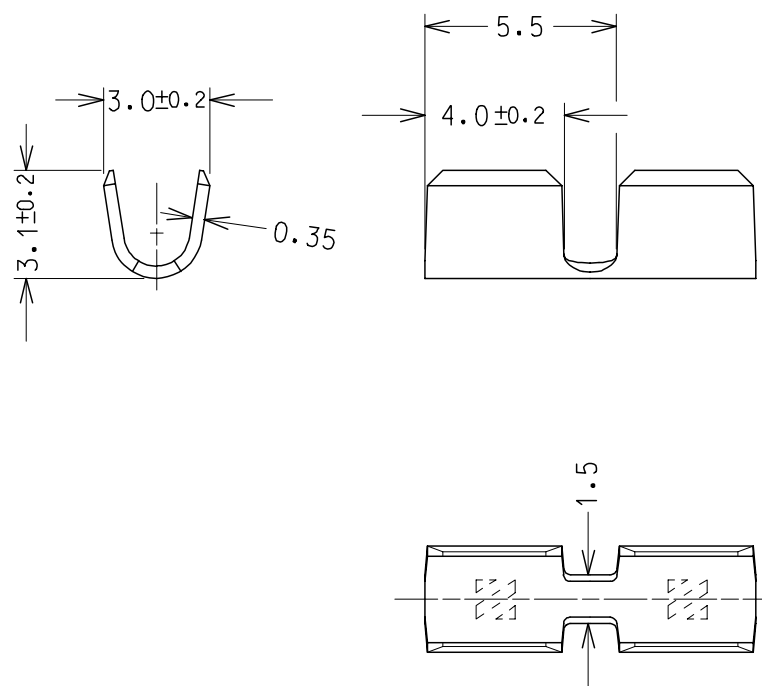
E

D

C

B

A



CODICE P/N	MATERIALE MATERIAL	FINITURA PLATING
94030-2030	OTTONE BRASS	GREGGIO PLAIN
94030-2031		STAGNATO TIN

S.P.Q. = 150000 PZ.

Std.Descr.: "CLIP FOR JUNCTION 0.75-1.0"

EC NO: Z2005-0030 DRWN:FGOTTARD 2004/09/23 CHKD:RSANDANO 2004/09/23 APPR:GZUIN 2004/09/23	QUALITY SYMBOLS ▽=0 ◻=0	GENERAL TOLERANCES (UNLESS SPECIFIED)		DIMENSION STYLE MM ONLY		SCALE 5:1	DESIGN UNITS METRIC	<input checked="" type="checkbox"/> FIRST ANGLE <input type="checkbox"/> PROJECTION	
			mm	INCH	DRAWN BY FGOTTARD	DATE 1991/01/04	TITLE CLIP FOR JUNCTION WIRE RANGE 0.75 - 1 MMQ		
		4 PLACES	± ---	± ---	CHECKED BY	DATE			
		3 PLACES	± ---	± ---	APPROVED BY MPREVIAT		DATE 1991/01/04	MOLEX INCORPORATED DOCUMENT NO. SD-94030-054	
2 PLACES	± ---	± ---	MATERIAL NO. SEE CHART		DATE	SHEET NO. 1 OF 1			
1 PLACE	± 0.15	± ---	DRAFT WHERE APPLICABLE MUST REMAIN WITHIN DIMENSIONS		ANGULAR ± 2 °	THIS DRAWING CONTAINS INFORMATION THAT IS PROPRIETARY TO MOLEX INCORPORATED AND SHOULD NOT BE USED WITHOUT WRITTEN PERMISSION			
A1	REV								

6 5 4 3 2 1