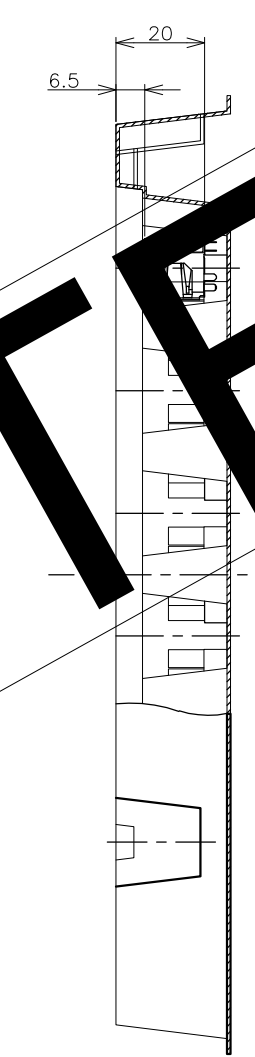
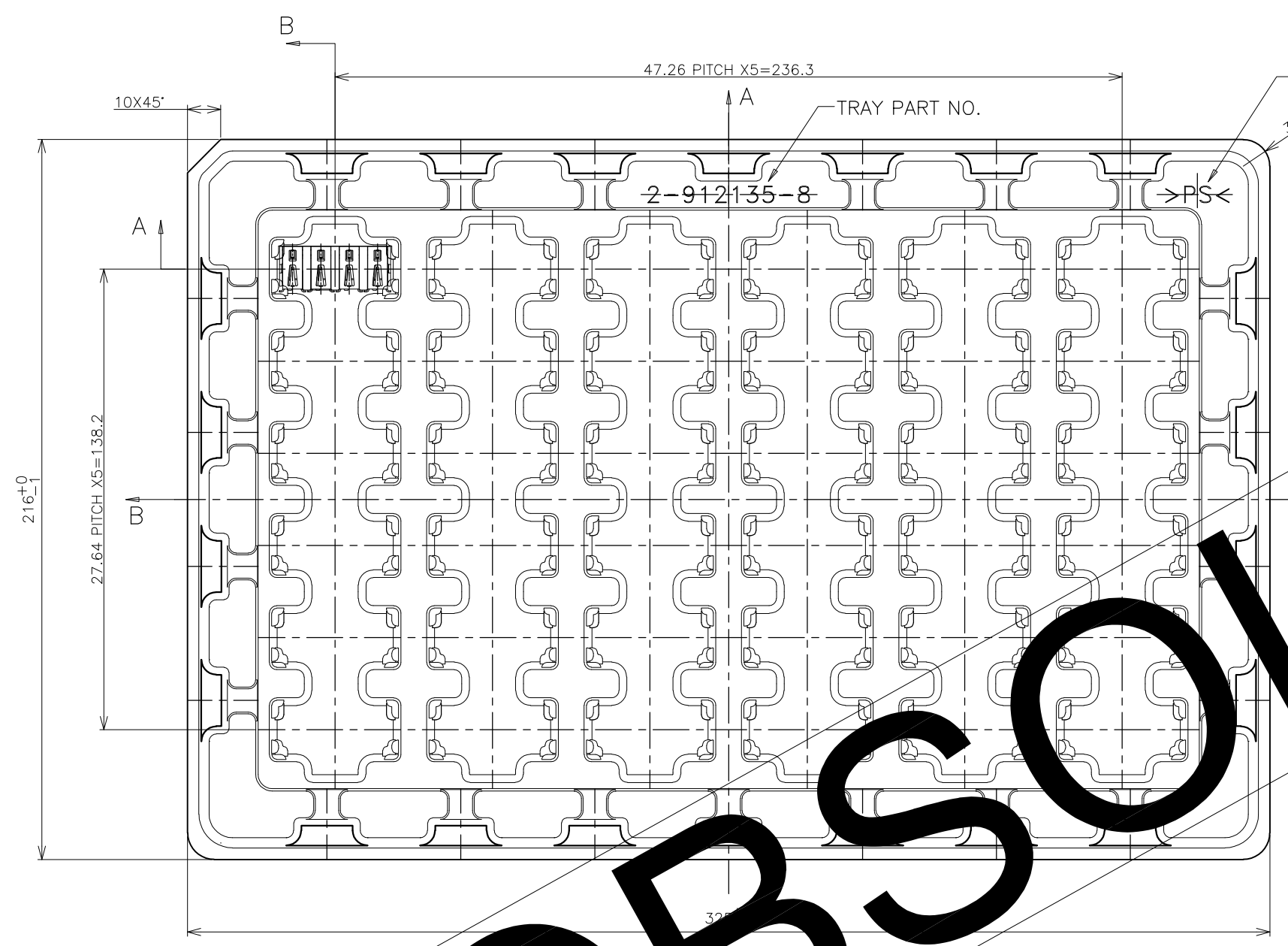
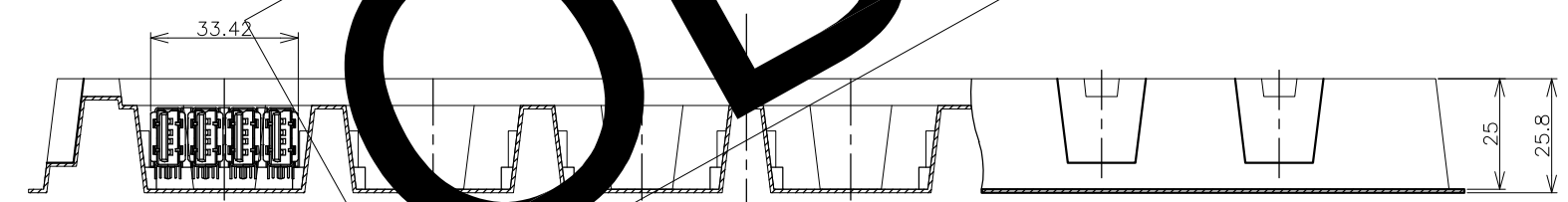


THIS DRAWING IS UNPUBLISHED. RELEASED FOR PUBLICATION
 © COPYRIGHT 2004 BY TYCO ELECTRONICS CORPORATION. ALL RIGHTS RESERVED.

LOC	DIST	REVISIONS					
J	—	P	LTR	DESCRIPTION	DATE	DWN	APVD
		A		ECR-15-009556	23SEP2015	B.L	H.W



SECTION B-B



SECTION A-A

OBSOLETE

	1674454-4
FINISH	PART NO.

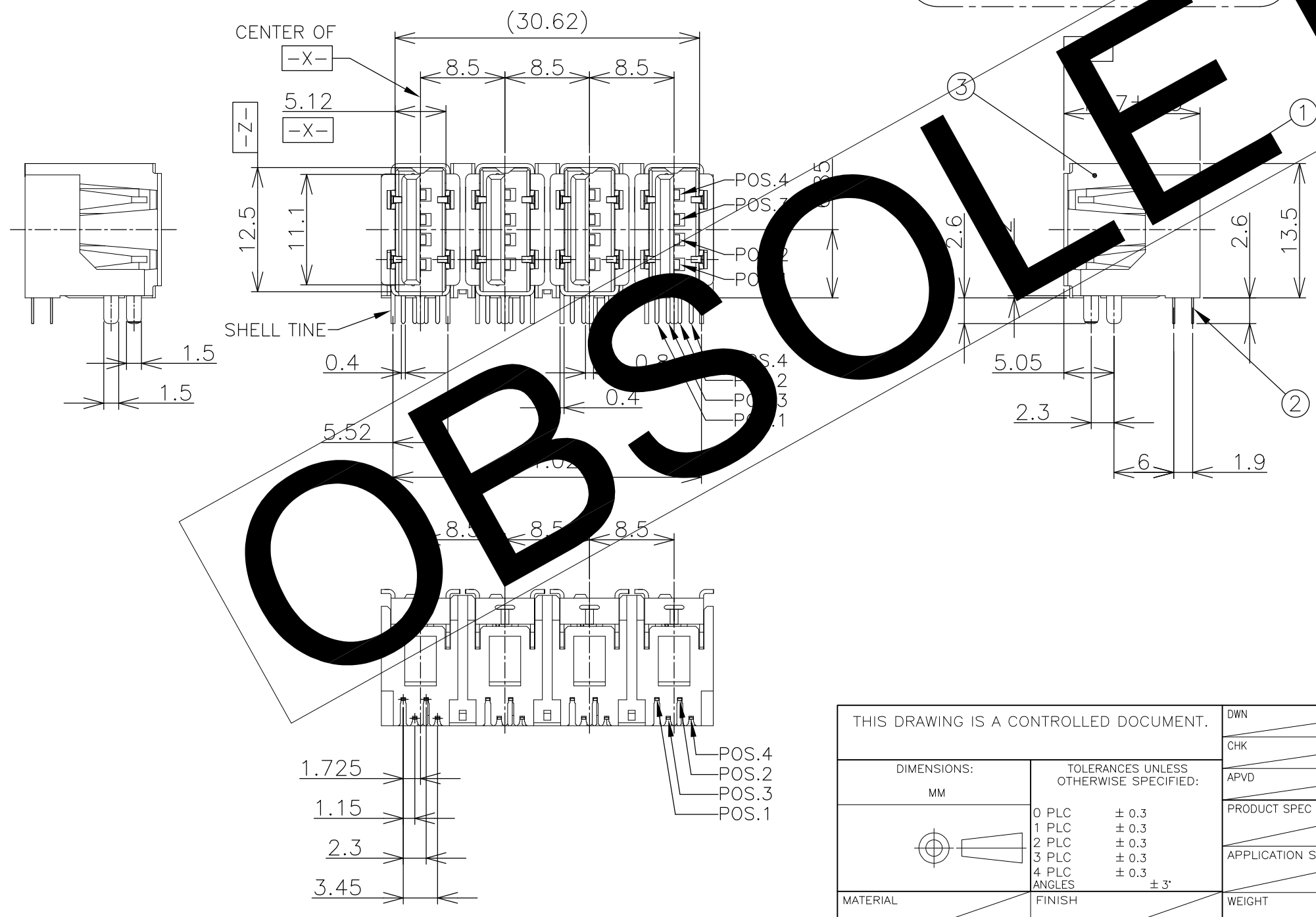
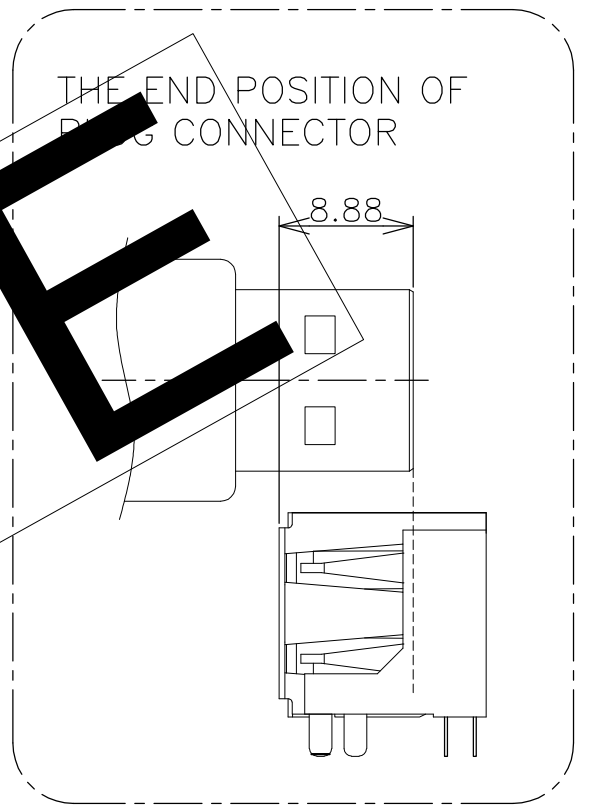
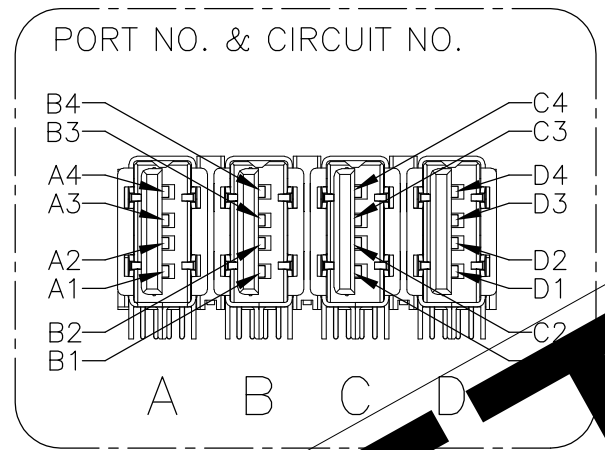
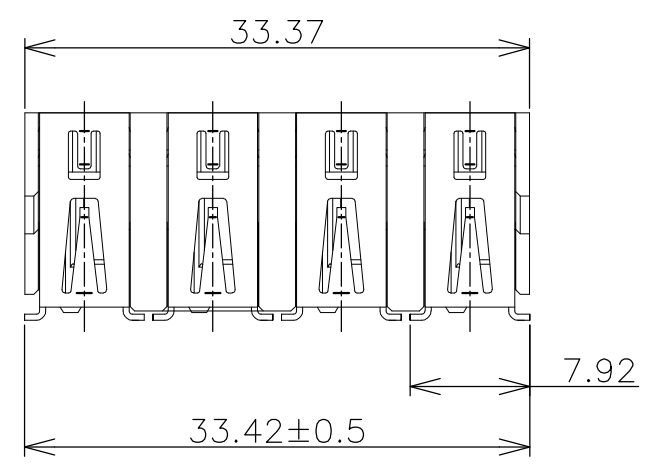
THIS DRAWING IS A CONTROLLED DOCUMENT.		DWN	WENKE HE	19JUL05	Tyco Electronics AMP K.K.		
		CHK	GAVIN ZHANG	19JUL05	Kawasaki, Japan		
		APVD	STEVEN YAO	19JUL05	NAME		
		PRODUCT SPEC			HARD TRAY ASS'Y		
		APPLICATION SPEC			USB CONNECTOR		
					REC 4P		
		SIZE	A3	CAGE CODE	00779	DRAWING NO	C-1674454
		CUSTOMER DRAWING			RESTRICTED TO		
		SCALE	2:1	SHEET	1 OF 3	REV	A

DIMENSIONS:	TOLERANCES UNLESS OTHERWISE SPECIFIED:
MM	
	0 PLC ± 0.3
	1 PLC ± 0.3
	2 PLC ± 0.3
	3 PLC ± 0.3
	4 PLC ± 0.3
	ANGLES ± 3'
MATERIAL	FINISH

THIS DRAWING IS UNPUBLISHED. RELEASED FOR PUBLICATION
 © COPYRIGHT 2004 BY TYCO ELECTRONICS CORPORATION. ALL RIGHTS RESERVED.

LOC	DIST	REVISIONS			
P	LTR	DESCRIPTION	DATE	DWN	APVD
J	/	SEE SHEET 1	-	-	-

FRONT SHELL	③
CONTACT	②
HOUSING	①
NAME	ITEM No.



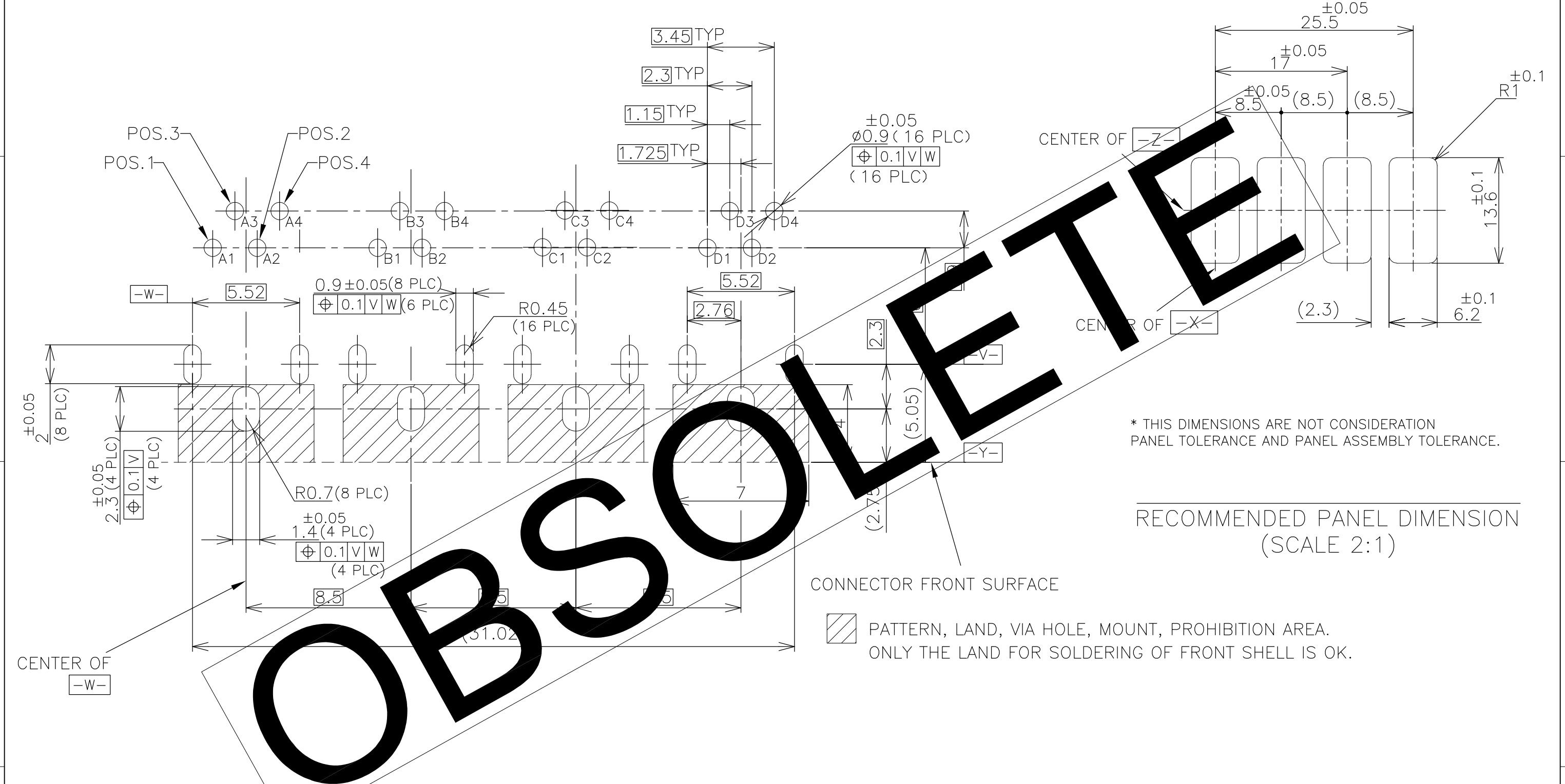
- ① MATERIAL
 HOUSING: THERMO-PLASTICS UL94V-0 NATURAL
 CONTACT: COPPER ALLOY
 FRONT SHELL: COPPER ALLOY
- ② FINISH
 CONTACT: NICKEL UNDER PLATE ALL OVER.
 CONTACT AREA: GOLD PLATE
 TINE AREA: TIN PLATE
 FRONT SHELL: TIN PLATE

OBSOLETE

THIS DRAWING IS A CONTROLLED DOCUMENT.		DWN	Tyco Electronics AMP K.K. Kawasaki, Japan			
DIMENSIONS: MM		CHK				
TOLERANCES UNLESS OTHERWISE SPECIFIED:		APVD	NAME			
0 PLC ± 0.3 1 PLC ± 0.3 2 PLC ± 0.3 3 PLC ± 0.3 4 PLC ± 0.3 ANGLES ± 3°		PRODUCT SPEC	HARD TRAY ASS'Y USB CONNECTOR REC 4P			
MATERIAL		APPLICATION SPEC	SIZE	CAGE CODE	DRAWING NO	RESTRICTED TO
FINISH		WEIGHT	A3	00779	C-1674454	
CUSTOMER DRAWING			SCALE	SHEET	OF	REV
			2:1	2	3	A

THIS DRAWING IS UNPUBLISHED. RELEASED FOR PUBLICATION
 © COPYRIGHT 2004 BY TYCO ELECTRONICS CORPORATION. ALL RIGHTS RESERVED.

LOC	DIST	REVISIONS					
J		P	LTR	DESCRIPTION	DATE	DWN	APVD
		-		SEE SHEET 1	-	-	-



* THIS DIMENSIONS ARE NOT CONSIDERATION PANEL TOLERANCE AND PANEL ASSEMBLY TOLERANCE.

RECOMMENDED PANEL DIMENSION (SCALE 2:1)

CONNECTOR FRONT SURFACE

PATTERN, LAND, VIA HOLE, MOUNT, PROHIBITION AREA. ONLY THE LAND FOR SOLDERING OF FRONT SHELL IS OK.

RECOMMENDED LAYOUT OF P.C.B (CONNECTOR MOUNTING SIDE)
 RECOMMENDED THICKNESS: 1.0~1.6mm

THIS DRAWING IS A CONTROLLED DOCUMENT.		DWN		tyco Tyco Electronics AMP K.K.	
DIMENSIONS: MM		CHK		Electronics Kawasaki, Japan	
TOLERANCES UNLESS OTHERWISE SPECIFIED:		APVD		NAME	
0 PLC ± 0.3		PRODUCT SPEC		HARD TRAY ASS'Y	
1 PLC ± 0.3		APPLICATION SPEC		USB CONNECTOR	
2 PLC ± 0.3		WEIGHT		REC 4P	
3 PLC ± 0.3		SIZE		CAGE CODE	
4 PLC ± 0.3		A3		00779	
ANGLES ± 3°		DRAWING NO		C-1674454	
FINISH		RESTRICTED TO			
MATERIAL		CUSTOMER DRAWING		SCALE 5:1	
		SHEET 3 OF 3		REV A	