

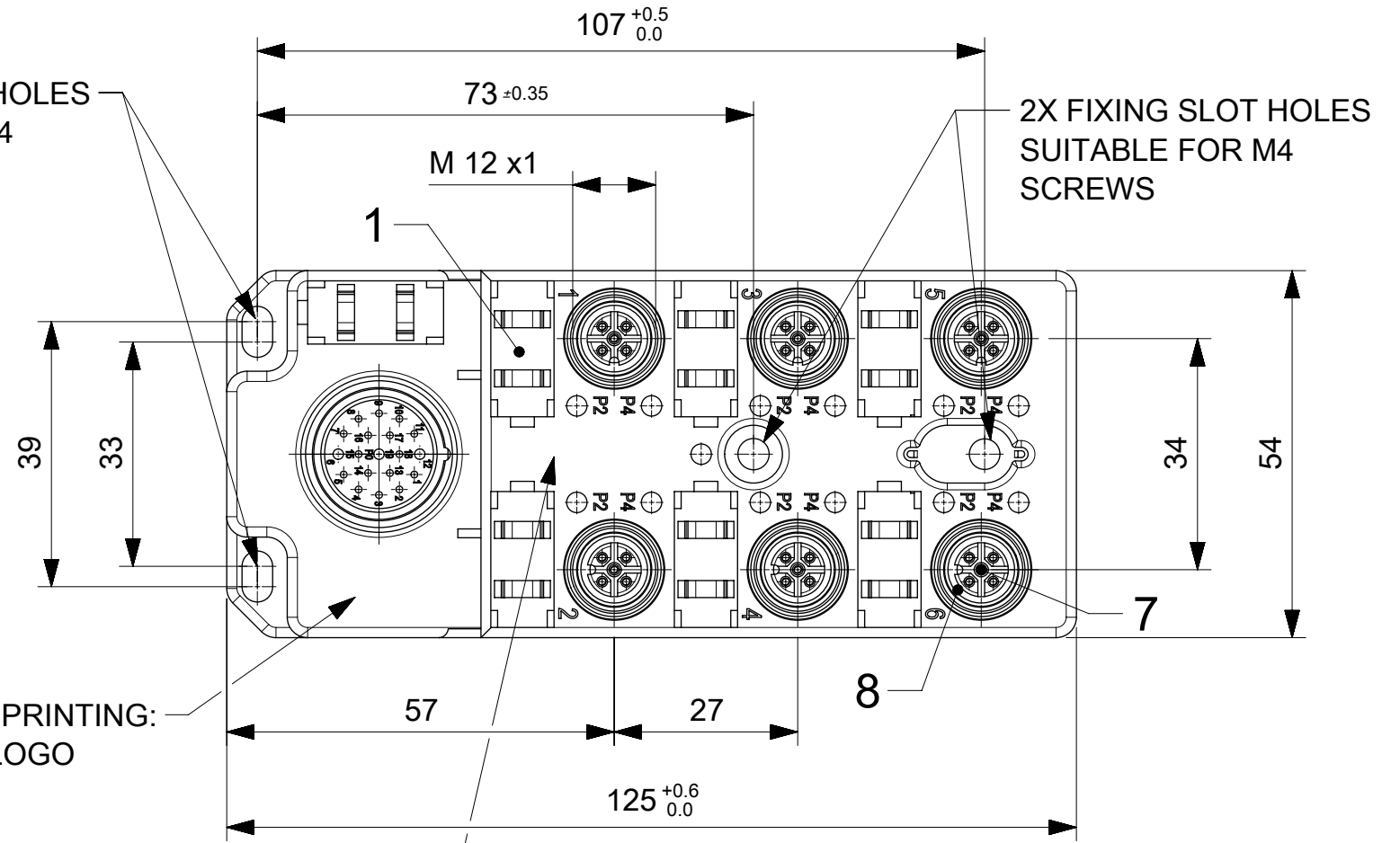
**TABLE 1**

MOLEX P/N	ENG. NO.	LED
1202480063	BTB6030-FBC	NO
1202480064	BTB603P-FBC	YES
1202480133	BTB603P-FBC	YES

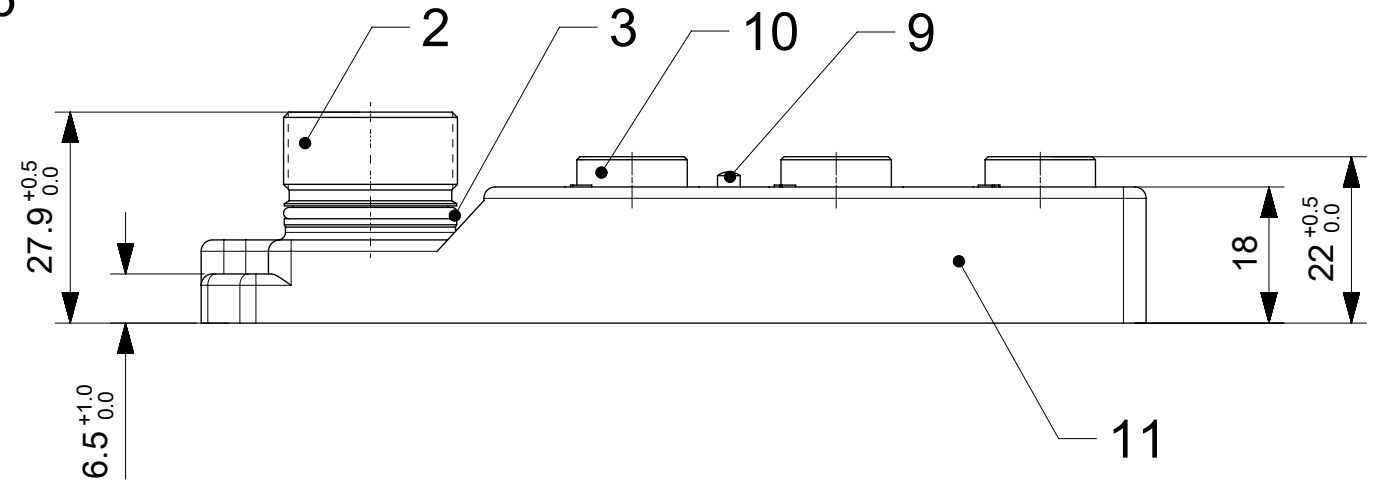
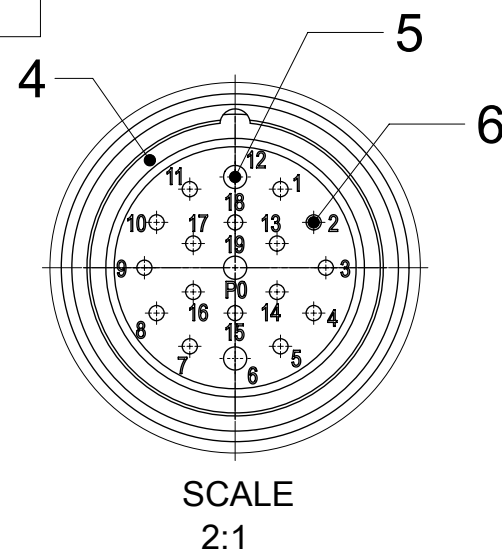
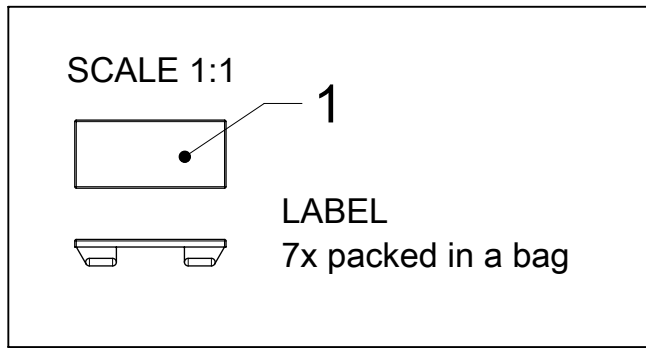
**TABLE 2 BILL OF MATERIAL**

ITEM	DESCRIPTION	MATERIAL	FINISH
1	LABEL	ABS	WHITE
2	SHELL	BRASS	NICKEL PLATED
3	O-RING	NBR	BLACK
4	O-RING	NBR	BLACK
5	CONTACT	BRASS	GOLD OVER NICKEL
6	CONTACT	BRASS	GOLD OVER NICKEL
7	CONTACT	BRONZE	GOLD OVER NICKEL
8	O-RING	FPM	RED
9	LED	NO LED = PA	BLACK
		WITH LED = PA	TRANSPARENT
10	SHELL	BRASS	NICKEL PLATED
11	HOUSING	PBT	BLACK

2X FIXING SLOT HOLES  
SUITABLE FOR M4  
SCREWS



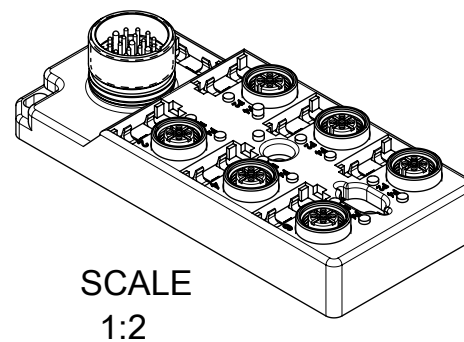
LASER PRINTING:  
PN: 120248XXXX  
ENG.: BTB603X-FBC  
PO: XXXXXXXXXX



**GENERAL CHARACTERISTICS:**

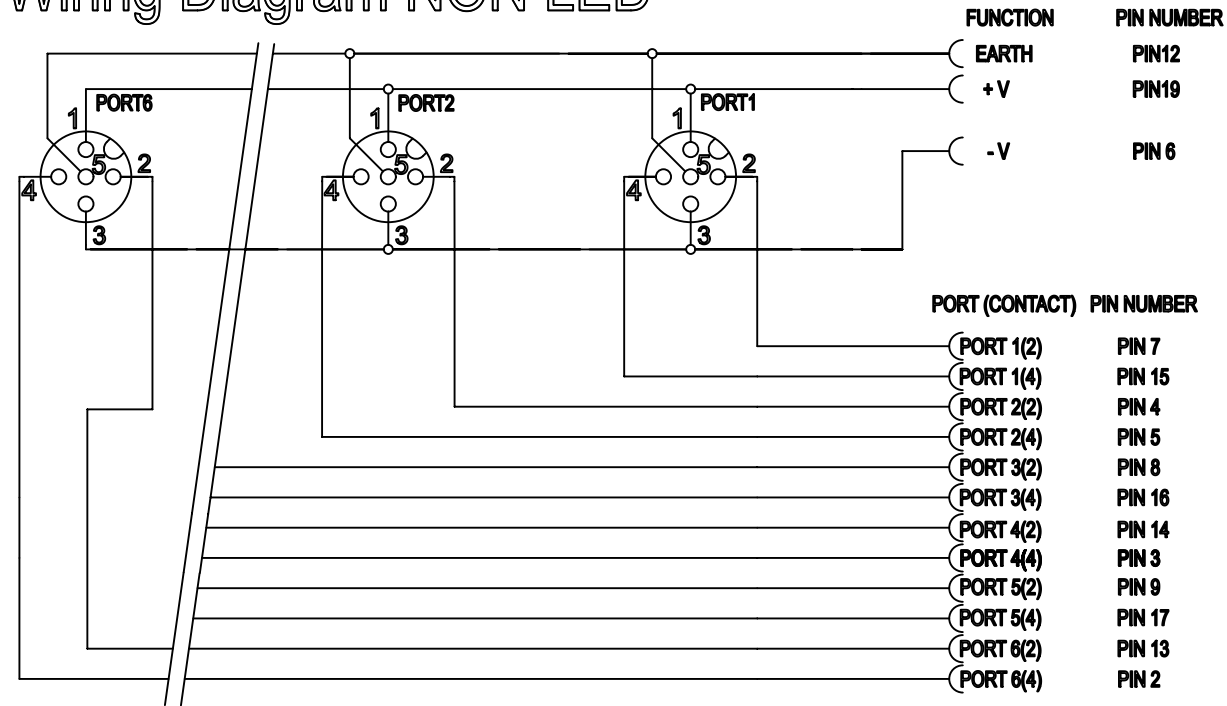
ELECTRICAL AND MECHANICAL DATA ACC. TO IEC 61076-2-101

NOMINAL VOLTAGE: 10-30 V DC  
 AMPERE RATING: 4 A PER PORT / 12 A MAX  
 AMPERE RATING WITH UL REGISTRATION: 3 A PER PORT / 9 A MAX  
 IP DEGREE OF PROTECTION: IP 67  
 TEMPERATURE RANGE: -25°C to + 85°C

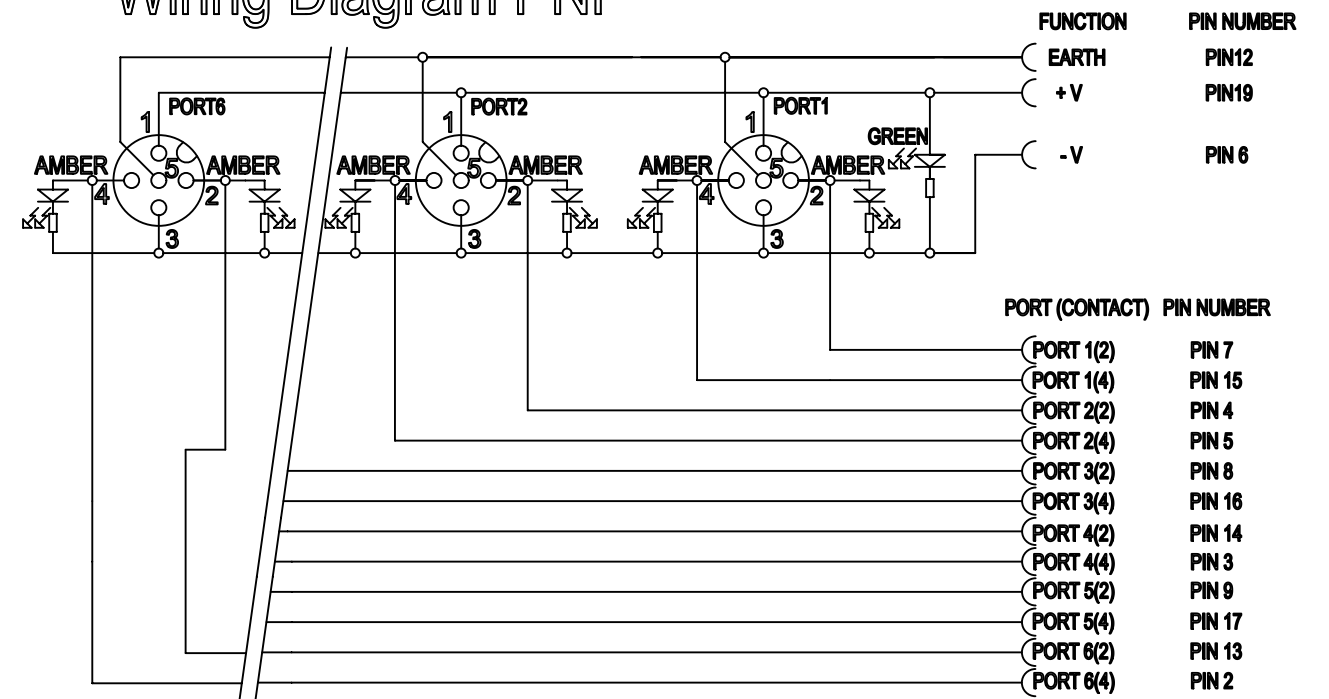


SYMBOLS		THIS DRAWING CONTAINS INFORMATION THAT IS PROPRIETARY TO MOLEX ELECTRONIC TECHNOLOGIES, LLC AND SHOULD NOT BE USED WITHOUT WRITTEN PERMISSION	
DIMENSION UNITS	SCALE	CURRENT REV DESC: LASER PRINT UPDATE	
mm		<p><b>molex</b></p> <p>MPIS M12 PNP NPN NOS 5P 6PT 19P M23 XM STA DUAL</p> <p>PRODUCT CUSTOMER DRAWING</p>	
GENERAL TOLERANCES (UNLESS SPECIFIED)			
ANGULAR TOL	± °		
4 PLACES	±		
3 PLACES	±		
2 PLACES	±	<p>INITIAL REVISION:</p> <p>DRWN: AAHLERS 2015/04/07</p> <p>APPR: RSILLER 2016/09/07</p>	
1 PLACE	±	<p>DOCUMENT NUMBER: 1202480063</p> <p>DOC TYPE: PSD</p> <p>DOC PART: 000</p> <p>REVISION: B</p>	
0 PLACES	± 0.25	<p>MATERIAL NUMBER: SEE TABLE 1</p> <p>CUSTOMER: GENERAL MARKET</p> <p>SHEET NUMBER: 1 OF 2</p>	
DRAFT WHERE APPLICABLE MUST REMAIN WITHIN DIMENSIONS		THIRD ANGLE PROJECTION	DRAWING: A3-SIZE
		SERIES: 120248	

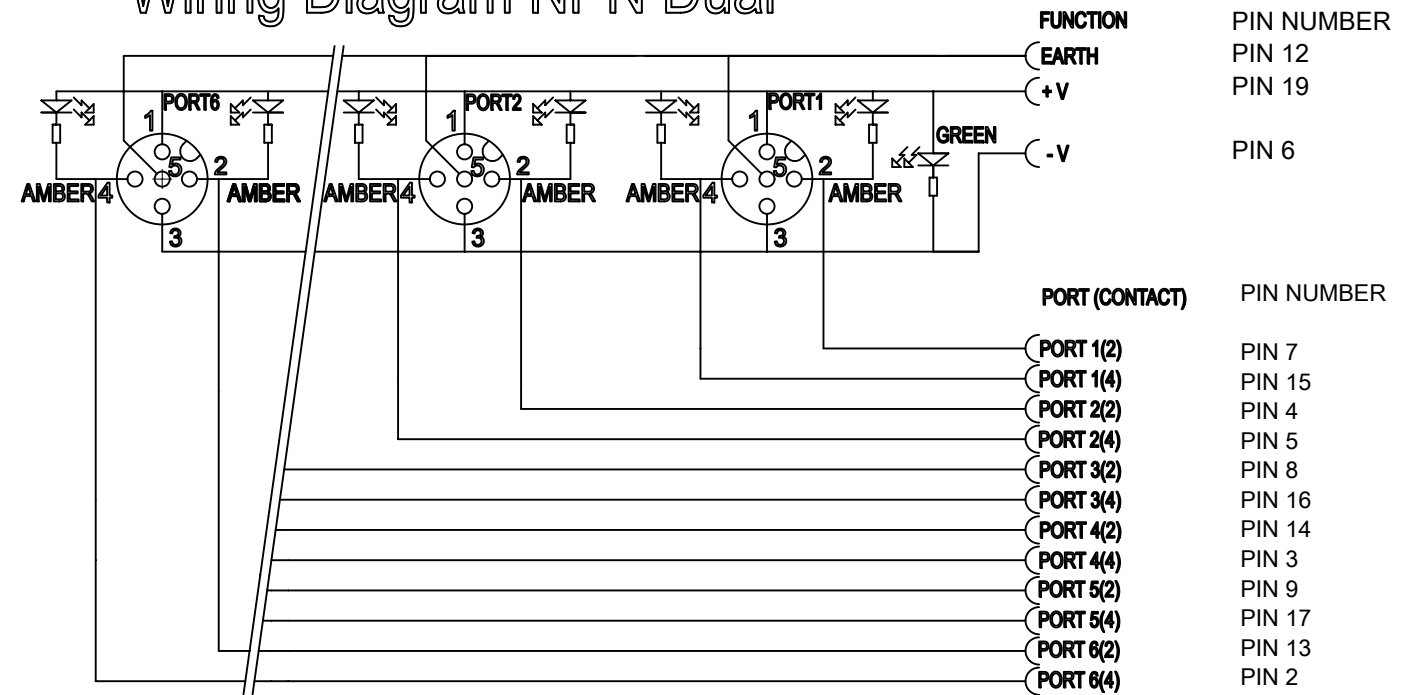
# Wiring Diagram NON LED



# Wiring Diagram PNP



# Wiring Diagram NPN Dual



<b>SYMBOLS</b> DIMENSION UNITS SCALE ▽ = 0 mm ▽ = 0 GENERAL TOLERANCES (UNLESS SPECIFIED) ▽ = 0 ANGULAR TOL ± ° ▽ = 0 4 PLACES ± ▽ = 0 3 PLACES ± ▽ = 0 2 PLACES ± ▽ = 0 1 PLACE ± ▽ = 0 0 PLACES ± 0.25 ▽ = 0 DRAFT WHERE APPLICABLE MUST REMAIN WITHIN DIMENSIONS ▽ = 0	THIS DRAWING CONTAINS INFORMATION THAT IS PROPRIETARY TO MOLEX ELECTRONIC TECHNOLOGIES, LLC AND SHOULD NOT BE USED WITHOUT WRITTEN PERMISSION CURRENT REV DESC: LASER PRINT UPDATE				
	EC NO: 606042 DRWN: SSM 2018/08/31 CHK'D: RSILLER 2018/10/18 APPR: RSILLER 2018/10/18				
INITIAL REVISION: DRWN: AAHLERS 2015/04/07 APPR: RSILLER 2016/09/07			PRODUCT CUSTOMER DRAWING		
DRAFT WHERE APPLICABLE MUST REMAIN WITHIN DIMENSIONS THIRD ANGLE PROJECTION DRAWING A3-SIZE SERIES 120248			DOCUMENT NUMBER 1202480063 DOC TYPE PSD DOC PART 000 REVISION B		SHEET NUMBER 2 OF 2