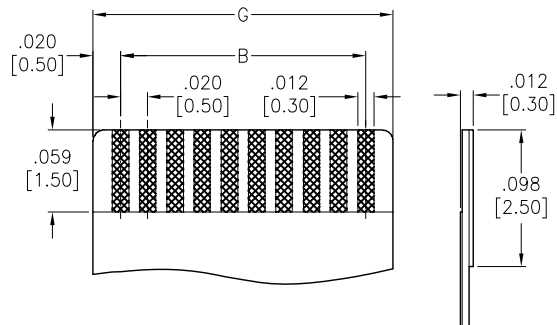
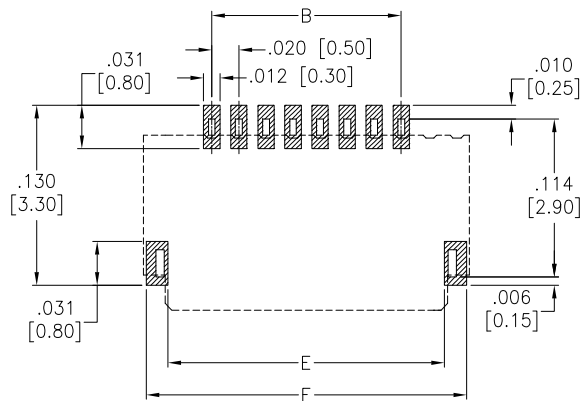
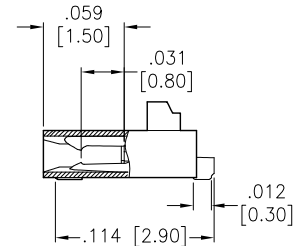
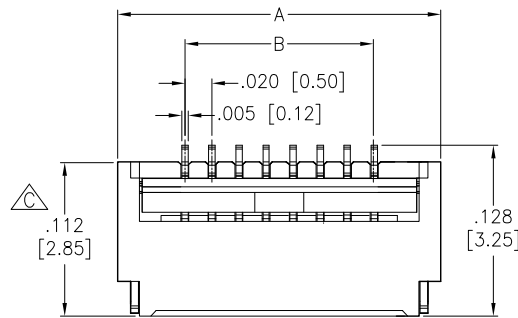


APPROVED: _____
 DATE: _____ TITLE: _____

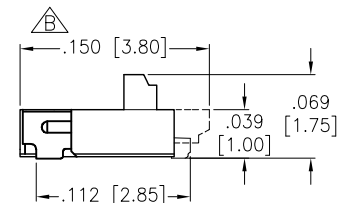
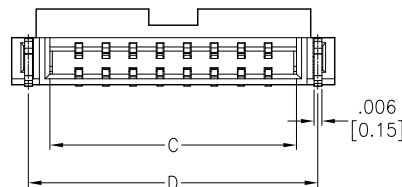
Rev	AWO #	Description	Date	Appr
-		RELEASED	4/16/19	



Recommended FPC/FFC Dimensions



RECOMMENDED PCB LAYOUT



SPECIFICATIONS:

Material:
 Insulator: Hi-temp thermoplastic (LCP), rated UL 94V-0
 Insulator color: Natural
 Actuator: Hi-temp thermoplastic (LCP), rated UL 94V-0, Color: Black
 Contacts: Copper Alloy
 Holddown: Copper Alloy, Gold plated
 Plating:
 Gold flash over Nickel underplate overall
 Electrical:
 Rated Voltage: 30 VAC/DC max
 Rated Current: 0.2 Amps max
 Contact Resistance: 40 mohms max
 Insulation resistance: 50 Mohms min @ 500 VDC
 Dielectric withstanding voltage: 250 VAC for 1 minut
 Temperature Rating:
 Operating temperature: -25°C to +85°C
 Environmental:
 Lead free, RoHS compliant



PACKAGED IN TUBES

Positions: 4 thru 50

- A = .020 [0.50] x No. of Spaces +.098 [2.50]
- B = .020 [0.50] x No. of Spaces
- C = .020 [0.50] x No. of Spaces +.042 [1.07]
- D = .020 [0.50] x No. of Spaces +.074 [1.88]
- E = .020 [0.50] x No. of Spaces +.063 [1.60]
- F = .020 [0.50] x No. of Spaces +.094 [2.40]
- G = .020 [0.50] x No. of Spaces +.039 [1.00]

UNLESS OTHERWISE SPECIFIED
 ALL DIMENSIONS ARE INCHES [MM]
 TOLERANCES: EXCEPT AS NOTED

INCHES	HOLES
.X ± .10	Ø.X ± .10
.XX ± .020	Ø.XX ± .015
.XXX ± .015	Ø.XXX ± .010

ADAM TECH INTERCONNECTS
 909 Rahway Avenue,
 Union, NJ 07083
 Phone: 908-687-5000
 Fax: 908-687-5710

APPROVALS		DATE
DRAWN	SS	4/16/19
CHECKED		
APPROVED		

TITLE ZIF FLEX CIRCUIT CONNECTOR, SMT TYPE SIDE ENTRY, DUAL CONTACT		
SIZE X	PART NO. PCA-6MA-XX-HD-3-G	REV. -
REF: S00165C	SCALE: NTS	SHEET 1 OF 1