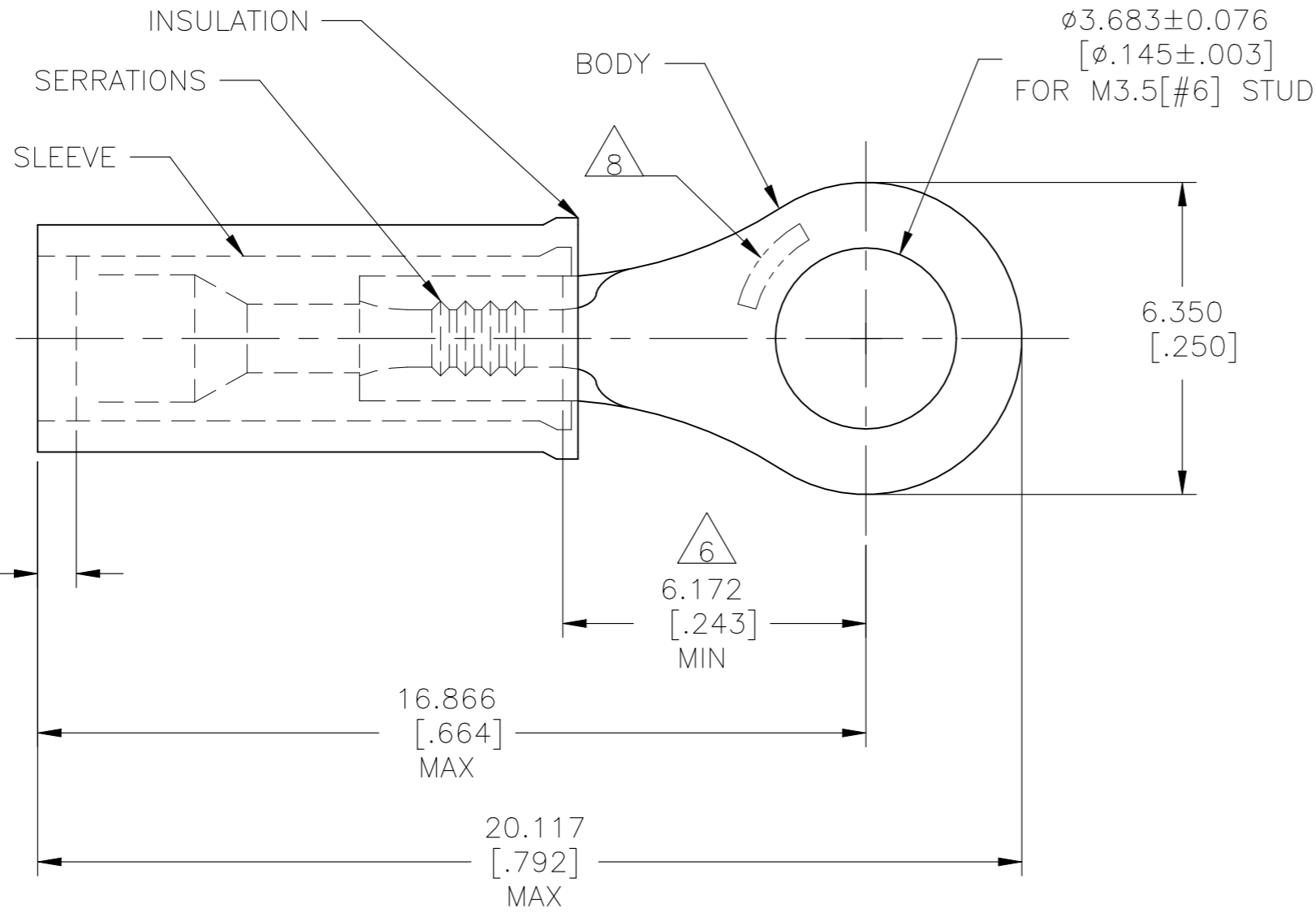
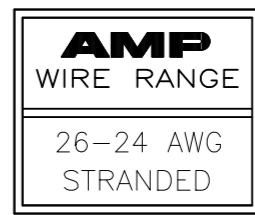


© - TE Connectivity. All Rights Reserved.

REVISIONS				
P	LTR	DESCRIPTION	DATE	APVD
	E4	REVISED PER ECN-22-156403	03JUN2022	RK CSD



- 1 MUST BE CRIMPED WITH A 22-18 OR 22-16 PIDG (RED) TOOL
- 2 WIRE INSULATION DIA: 0.813-2.083[.032-.082]
- 3 BODY MATERIAL THK: 0.686±0.051[.027±.002]
- △4 FINISH:
BODY & SLEEVE: TIN 0.0025400[.000100]
MIN EXT THK PER ASTM B545
INSULATION: COLOR-YELLOW
- △5 MATERIAL:
BODY & SLEEVE: CU PER ASTM B152
INSULATION: NYLON PER ASTM D4066
- △6 APPLIES FROM EDGE OF METAL WIRE BARREL TO THE CENTER OF STUD HOLE
- △7 MEETS MS25036-145, CLASS 1
- △8 STAMP AMP APPROX AS SHOWN

1000	LOOSE PIECE	△7 53073
QTY	PACKAGE TYPE	PART NO.

CUSTOMER SERVICE SYSTEMS		MAX RECOMMENDED OPERATING TEMPERATURE: 150°C[221°F] MAX	THIS DRAWING IS A CONTROLLED DOCUMENT.		DWN JR RUTH 14JAN10	STE TE Connectivity			
FOR ADDITIONAL PRODUCT INFORMATION OR COPIES OF DRAWINGS AND TECHNICAL DOCUMENTS	PRODUCT INFORMATION CENTER 1-800-522-6752	VOLTAGE RATING: 300 V MAX	DIMENSIONS: mm [INCHES]	TOLERANCES UNLESS OTHERWISE SPECIFIED:	CHK T MICHIELUTTI 15JAN10				NAME
FOR APPLICATION TOOLING INFORMATION	TOOLING ASSISTANCE CENTER 1-800-722-1111	CIRCULAR MIL AREA: 0.10-0.26mm² [202-509] STRANDED		0 PLC ± - 1 PLC ± - 2 PLC ± - 3 PLC ± 0.127[.005] 4 PLC ± - ANGLES ± -	APVD T MICHIELUTTI 15JAN10	TERMINAL, RING TONGUE, PIDG			
FOR ORDER ENTRY	1-800-526-5142	THIS DRAWING IS A CONTROLLED DOCUMENT FOR AMP INCORPORATED. IT IS SUBJECT TO CHANGE AND THE CONTROLLING ENGINEERING ORGANIZATION SHOULD BE CONTACTED FOR THE LATEST REVISION.	MATERIAL △5	FINISH △4	PRODUCT SPEC ---	WIRE SIZE: 26-24 AWG			
					APPLICATION SPEC 114-2157	SIZE A3	CAGE CODE 00779	DRAWING NO C-53073	RESTRICTED TO -
					WEIGHT -	CUSTOMER DRAWING			SCALE 8:1
					SHEET 1 OF 1		REV E4		