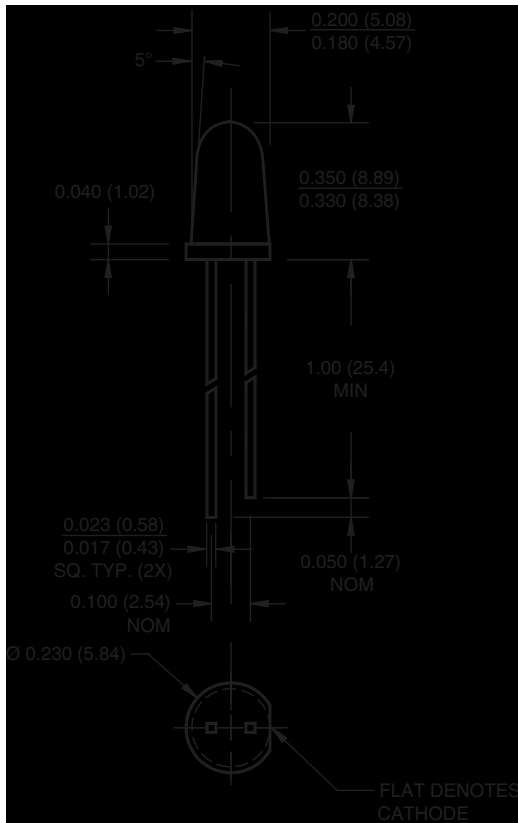


SUPER BRIGHT T-1 3/4 (5 mm) LED LAMP - Water Clear

Blue

MV8B01

PACKAGE DIMENSIONS



NOTES:

1. Dimensions for all drawings are in inches (mm).
2. Lead spacing is measured where the leads emerge from the package.
3. Protruded resin under the flange is 1.5mm (0.059") max.



DESCRIPTION

This T-1 3/4 super bright LED has a moderate viewing angle of 20° for concentrated light output. It is made with GaN/SiC technology LED that emits blue light at 430 nm. It is encapsulated in a water clear epoxy lens package.

FEATURES

- Popular T-1 3/4 package
- Solid state reliability
- Water clear optics
- Standard 100 mil. lead spacing

SUPER BRIGHT T-1 3/4 (5 mm) LED LAMP - Water Clear

Blue

MV8B01

ABSOLUTE MAXIMUM RATINGS ($T_A = 25^\circ\text{C}$ unless otherwise specified)			
Parameter	Symbol	Rating	Unit
Operating Temperature	T_{OPR}	-40 to +85	$^\circ\text{C}$
Storage Temperature	T_{STG}	-40 to +100	$^\circ\text{C}$
Lead Soldering Time	T_{SOL}	260 for 5 sec	$^\circ\text{C}$
Continuous Forward Current	I_F	30	mA
Peak Forward Current ($f = 1.0 \text{ KHz}$, Duty Factor = 1/10)	I_{FM}	100	mA
Reverse Voltage	V_R	5	V
Power Dissipation	P_D	135	mW

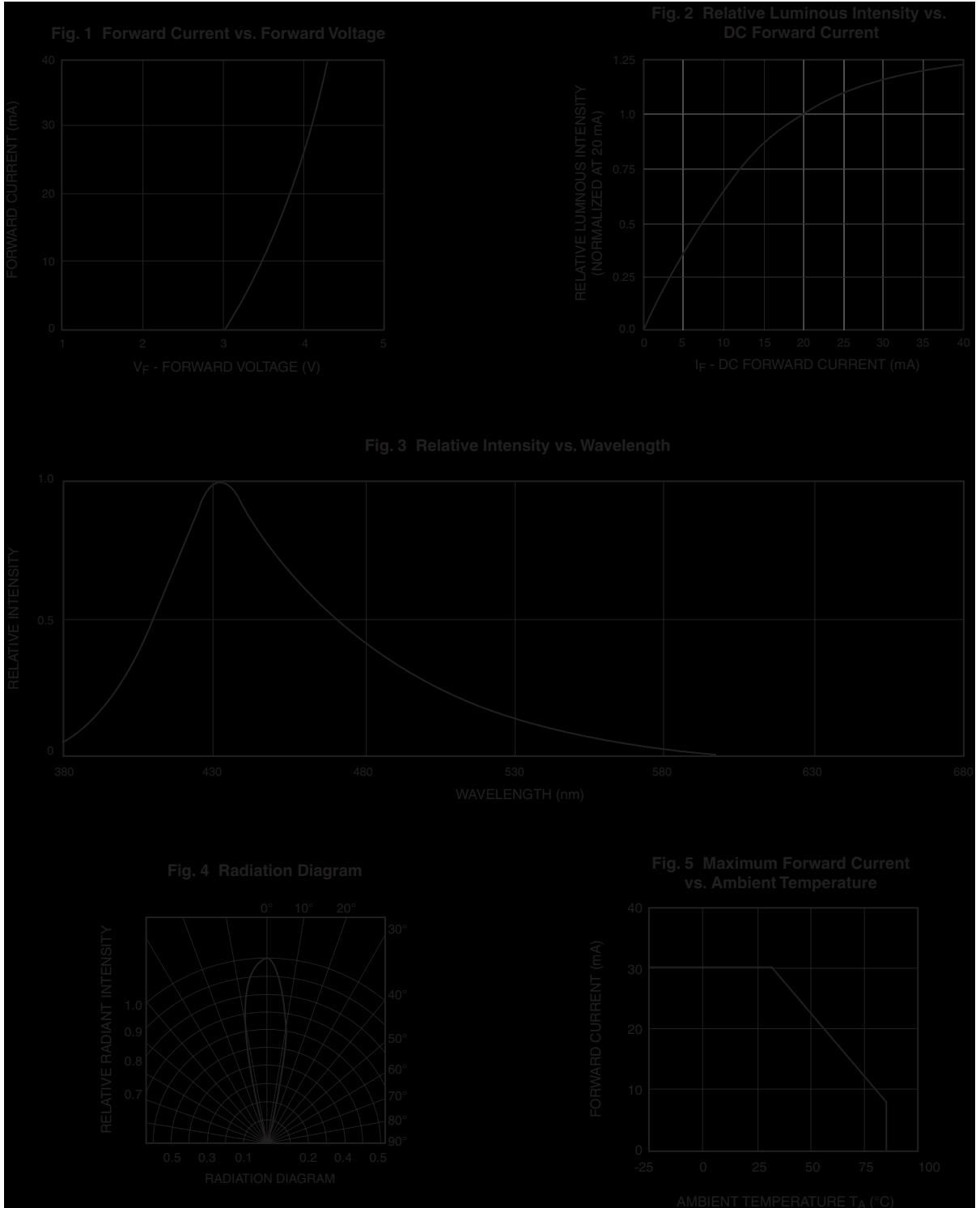
ELECTRICAL / OPTICAL CHARACTERISTICS ($T_A = 25^\circ\text{C}$)		
Part Number	MV8B01A	Condition
Luminous Intensity (mcd)		
Minimum	300	$I_F = 20 \text{ mA}$
Typical	450	
Forward Voltage (V)		
Typical	3.8	$I_F = 20 \text{ mA}$
Maximum	4.5	
Wavelength (nm)		
Peak	430	$I_F = 20 \text{ mA}$
Dominant	465	
Spectral Line Half Width (nm)	65	$I_F = 20 \text{ mA}$
Viewing Angle ($^\circ$)	20	$I_F = 20 \text{ mA}$

SUPER BRIGHT T-1 3/4 (5 mm) LED LAMP - Water Clear

Blue

MV8B01

TYPICAL PERFORMANCE CURVES





SUPER BRIGHT T-1 3/4 (5 mm) LED LAMP - Water Clear

Blue

MV8B01

DISCLAIMER

FAIRCHILD SEMICONDUCTOR RESERVES THE RIGHT TO MAKE CHANGES WITHOUT FURTHER NOTICE TO ANY PRODUCTS HEREIN TO IMPROVE RELIABILITY, FUNCTION OR DESIGN. FAIRCHILD DOES NOT ASSUME ANY LIABILITY ARISING OUT OF THE APPLICATION OR USE OF ANY PRODUCT OR CIRCUIT DESCRIBED HEREIN; NEITHER DOES IT CONVEY ANY LICENSE UNDER ITS PATENT RIGHTS, NOR THE RIGHTS OF OTHERS.

LIFE SUPPORT POLICY

FAIRCHILD'S PRODUCTS ARE NOT AUTHORIZED FOR USE AS CRITICAL COMPONENTS IN LIFE SUPPORT DEVICES OR SYSTEMS WITHOUT THE EXPRESS WRITTEN APPROVAL OF THE PRESIDENT OF FAIRCHILD SEMICONDUCTOR CORPORATION. As used herein:

1. Life support devices or systems are devices or systems which, (a) are intended for surgical implant into the body, or (b) support or sustain life, and (c) whose failure to perform when properly used in accordance with instructions for use provided in the labeling, can be reasonably expected to result in a significant injury of the user.
2. A critical component in any component of a life support device or system whose failure to perform can be reasonably expected to cause the failure of the life support device or system, or to affect its safety or effectiveness.