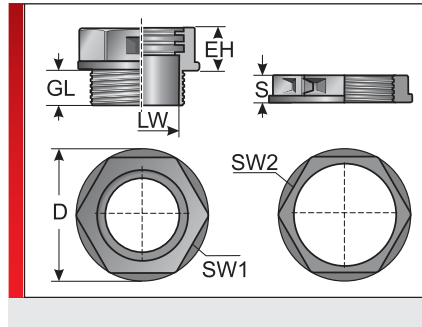


KDL/D-mono cable entry system



KDL/C -/D -/H cable entry system

PRODUCT INFORMATION

The KDL/D-mono is a split cable entry system for inserting pre-assembled cables. Depending on the choice of cable entry grommet, up to four cables can be introduced. The split lock nut is included within the scope of delivery.

- Easy assembly and installation of pre-assembled cables
- Integrated and split seal
- Simple strain relief for cables using cable ties

SPECIFICATIONS

	Polyamide 6
	IP 65
	-30 – 100 °C
	V0

Type	Order No.	Colour	No. Openings Small / medium / large	Pack qty.
KDL/D-mono 1 M25	87141610	Black	1 / 0 / 0	5
KDL/D-mono 1 M32	87141620	Black	0 / 1 / 0	5
KDL/D-mono 1 M40	87141636	Black	0 / 1 / 0	5
KDL/D-mono 2 M40	87141630	Black	2 / 0 / 0	5
KDL/D-mono 1 M50	87141640	Black	0 / 0 / 1	5

DIMENSION TABLE

Type	Order No.	Installation height mm
KDL/D-mono 1 M25	87141610	18.50
KDL/D-mono 1 M32	87141620	18.00
KDL/D-mono 1 M40	87141636	18.00
KDL/D-mono 2 M40	87141630	18.00
KDL/D-mono 1 M50	87141640	22.00

Polyamide 6

Protection class
IP 65

KDL/D-mono cable entry system

 **Temperature / temperature range**
-30 – 100 °C

 **Fire classification**
V0

 **UV-resistant**

 **RoHS (EC Directive 202/95/EC)**

 **Made in Germany**

All details given in our sales material prospectuses and catalogues as well as the information available online are based on our current knowledge of the products described.

The electronic data and files made available by Murrplastik, particularly CAD files are based on our current knowledge of the product described.

A legally binding assurance of certain properties or the suitability for a certain purpose can not be determined from this information.

All information with respect to the chemical and physical properties of Murrplastik products as well as application advice given verbally, in writing or by tests, is given to the best of our knowledge.

This does not free the purchaser of carrying out their own inspections and tests in order to determine the suitability of a product for a specific purpose.

Murrplastik accepts no responsibility for the available information being up-to-date, correct or complete. Neither do we accept responsibility for the quality of this information.

Murrplastik accepts no liability for damage caused as a result of using our products.

Murrplastik reserves the right to make technical changes and improvements through constant further development of products and services.

Our General Terms and Conditions apply.

© Murrplastik Systemtechnik GmbH • proID_96316~20161012~890287~kdh_kdl_d_mono