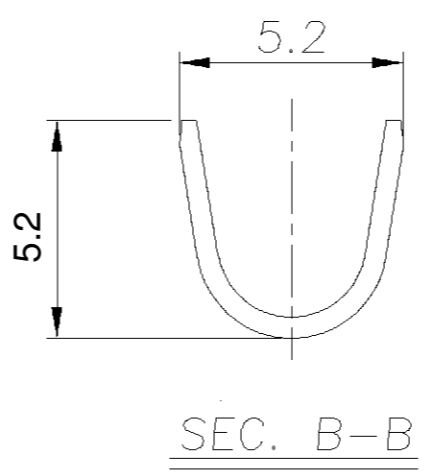
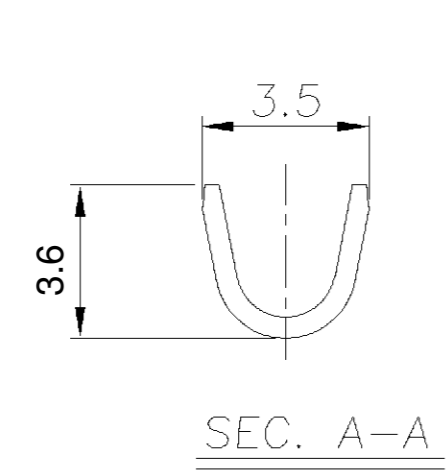
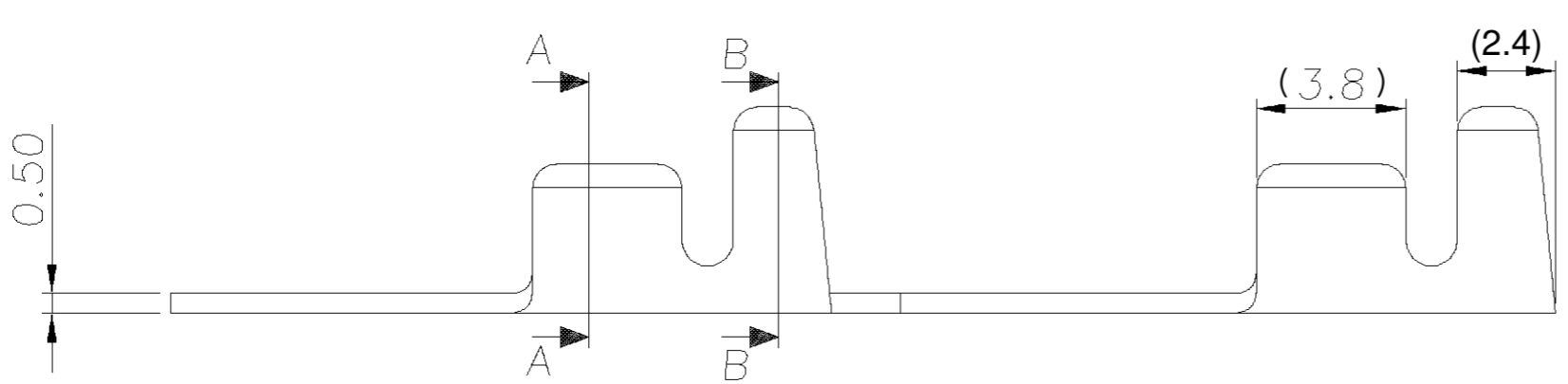
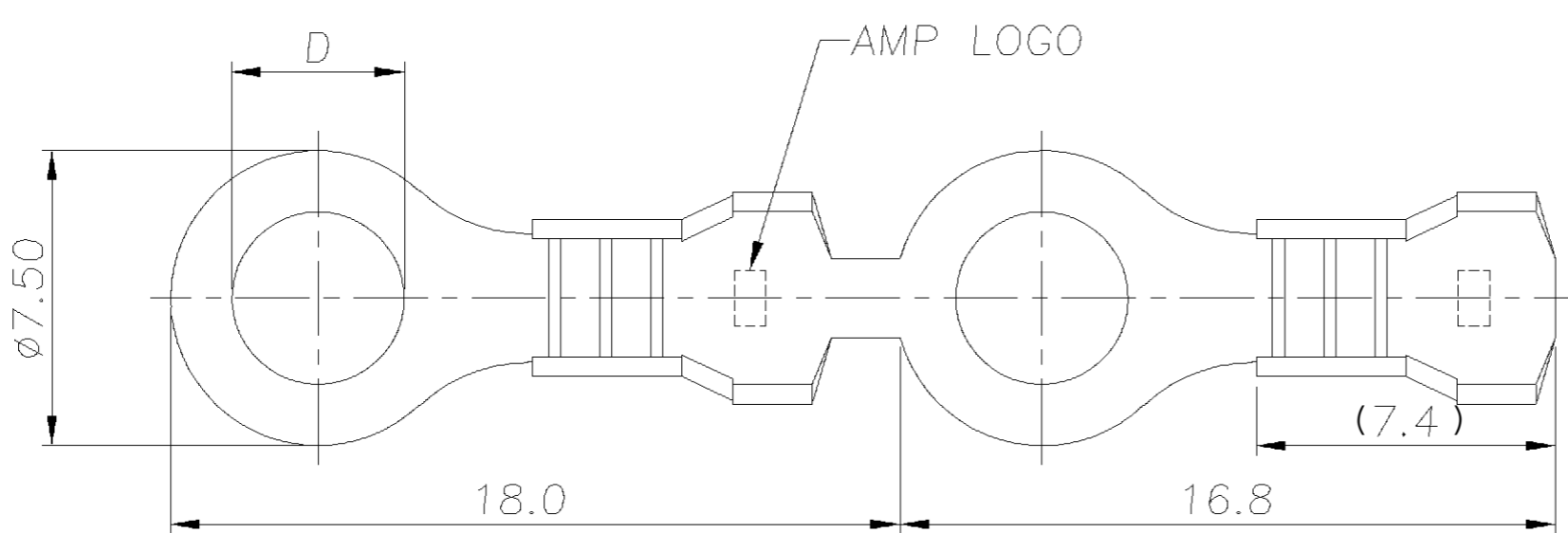


NUMBER C-440456
 METRIC
 3RD ANGLE PROJECTION



NOTES :
 1. MATERIAL :
 TERMINAL : BRASS T=0.50mm
 2. FINISH : TIN PLATING
 3. APPLICATION:
 WIRE SIZE:AWG#20-#16, INS.RANGE:2.52-3.11 DIA
 ⚠ OBSOLETE PARTS: OBSOLETE CIS STREAMLINING PER D.RENAUD/D.SINISI

THIS INFORMATION IS CONFIDENTIAL AND IS DISCLOSED TO YOU ON CONDITION THAT NO FURTHER DISCLOSURE IS MADE BY YOU TO OTHER THAN AMP PERSONNEL WITHOUT WRITTEN AUTHORIZATION FROM AMP (TAIWAN) LTD. DIMENSIONS IN MILLIMETERS. DO NOT SCALE PRINT.

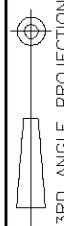
PRINT DIST DW

B	REVISED PER ECR-23-165566	SS/AF	09MAR2023
A	REVISED PER ECR-23-164765	SS/AF	03FEB2023
O1	ECO-09-026346	KK/AEG	26NOV09
0	NEW RELEASED	SH/JC	10MAY2002
LTR	REVISION RECORD	DWN/CHK	DATE

DIMENSION : mm 0 PLC ±0.5 1 PLC ±0.3 2 PLC ±0.2 3 PLC ± ANGLES ±3'		DWN S. HOU 10-MAY-2002	TE Connectivity
MATERIAL SEE NOTE		CHK J. CHENG 10-MAY-2002	
FINISH SEE NOTE		APVD J. WU 10-MAY-2002	RING TERMINAL
		PRODUCT SPEC	
		APPLICATION SPEC	
		WEIGHT	
LOC DW	SIZE A ₃	DRAWING NO C-440456	REV B
SCALE --		SHEET 1 OF 2	

⚠ OBSOLETE	5.1	440456-2
	4.4	440456-1
	DIM D	PART NUMBER

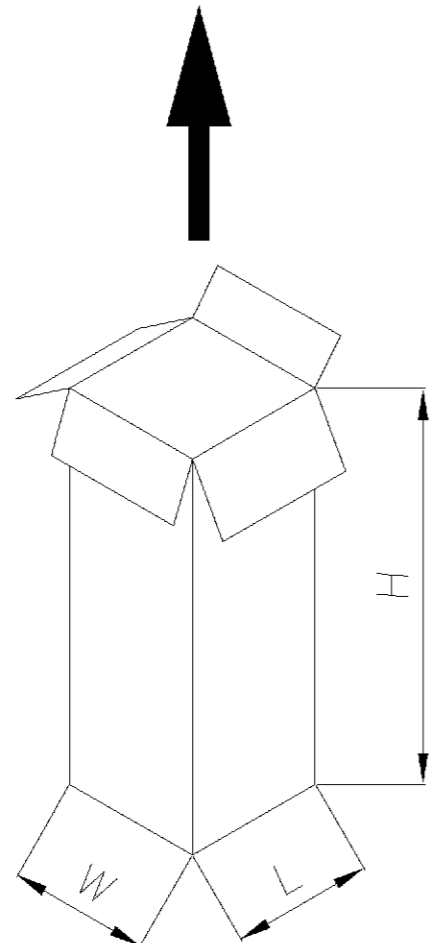
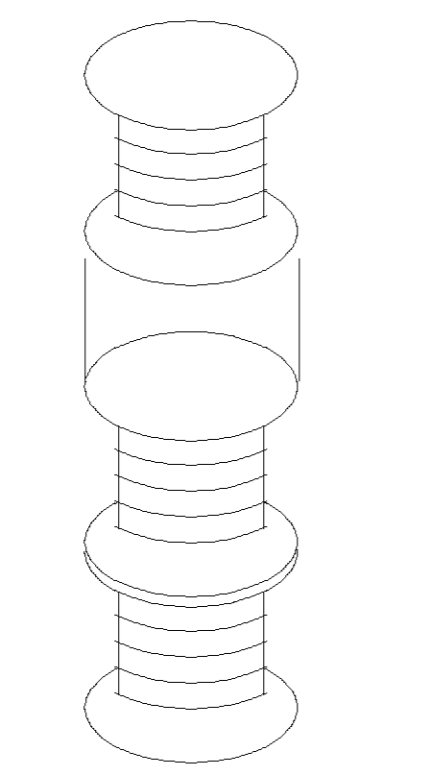
NUMBER
C-440456



METRIC

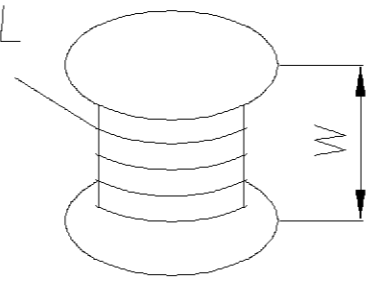
THIS INFORMATION IS CONFIDENTIAL AND IS DISCLOSED TO YOU ON CONDITION THAT NO FURTHER DISCLOSURE IS MADE BY YOU TO OTHER THAN AMP PERSONNEL WITHOUT WRITTEN AUTHORIZATION FROM AMP (TAIWAN) LTD. DIMENSIONS IN MILLIMETERS. DO NOT SCALE PRINT.

PRINT DIST
DW



SHIPPING CARTON

TERMINAL



REEL

NOTE :

1. DIMENSION :

REEL : $\phi 260$, W=150

SHIPPING CARTON:

L=275, W=275, H=480

2. QUANTITY :

8,000 PCS/FEEL

3 REEL/SHIPPING CARTON

8

7

6

5

4

3

2

1

LTR	SEE SHEET 1	ECN	DWN	CHK	DATE
	REVISION RECORD				

DIMENSION : mm 0 PLC \pm 1 PLC ± 0.3 2 PLC ± 0.15 3 PLC ± 0.1 ANGLES $\pm 3'$		DWN S. HOU 10-MAY-2002	TE Connectivity NAME RING TERMINAL	
MATERIAL SEE NOTE		CHK J. CHENG 10-MAY-2002		
FINISH SEE NOTE		APVD J. WU 10-MAY-2002	LOC DW A ₃ DRAWING NO C-440456 REV B	
		PRODUCT SPEC	SCALE -- SHEET 2 OF 2	
		APPLICATION SPEC		
		WEIGHT		

CUSTOMER DRAWING

D

C

B

A