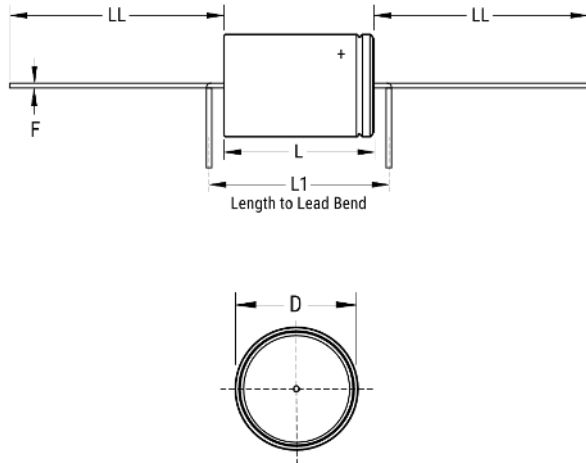


PEG130ML4180QL1

Aliases (PEG130ML4180Q)

Obsolete

PEG130, Aluminum Electrolytic, 1,800 uF, -10/+30%, 63 VDC, -40/+105°C



Click [here](#) for the 3D model.

Dimensions

D	20mm +/-0.5mm
L	45mm +/-1mm
L1	52mm MIN
LL	40mm +/-2mm
F	1mm +/-0.03mm

Packaging Specifications

Sleeving	Yes
Packaging	Bulk, Bag

General Information

Series	PEG130
Dielectric	Aluminum Electrolytic
Style	Axial
Description	Long Life Axial Aluminum Electrolytic
Features	Long Life
RoHS	Yes
Lead	Wire Leads
AEC-Q200	No
Halogen Free	Yes
Component Weight	24 g
Notes	L1 is KEMET's recommendation for minimum distance between symmetrical Lead bend. Available only for Customer specific part numbers. Lead bend dimensions must be specified and confirmed per article. Dimensions D And L Include Sleeving.
Shelf Life	520 Weeks

Specifications

Capacitance	1,800 uF
Capacitance Tolerance	-10/+30%
Voltage DC	63 VDC
Temperature Range	-40/+105°C
Rated Temperature	105°C
Life	37000 Hrs
Resistance	51 mOhms (100Hz 20C), 24 mOhms (100kHz 20C), 15.9 mOhms (5-100kHz 105C)
Ripple Current	1.65 Amps (100Hz 105C), 10.4 Amps (5kHz 60C), 8.4 Amps (5kHz 80C), 4.7 Amps (5kHz 100C), 3.1 Amps (>=5kHz 105C)
Leakage Current	344.2 uA (5min 20°C)