

# Toggle Switches

## Bat Handle



### Features

- Neoprene Seal Toggle (54-456 thru 54-459, 54-659 ONLY)
- Slow Make, Slow Break Contacts
- AC Rated, Suitable for Low Voltage DC Also
- Standard .500" Dia Mounting Hole
- Various Terminal Selections



| NTE Type No. | Circuitry | Action |      |       | Actuator           | Diag No. |
|--------------|-----------|--------|------|-------|--------------------|----------|
| 54-001       | SPST      | ON     | NONE | (OFF) | Brass/Nickel Plate | S1c      |
| 54-002       | SPDT      | (ON)   | OFF  | (ON)  | Brass/Nickel Plate | S1c      |
| 54-006       | SPST      | ON     | NONE | OFF   | Brass/Nickel Plate | S1a      |
| 54-007       | SPST      | ON     | NONE | OFF   | Brass/Nickel Plate | S1b      |
| 54-008       | SPST      | ON     | NONE | OFF   | Brass/Nickel Plate | S1c      |
| 54-009       | SPDT      | ON     | OFF  | ON    | Brass/Nickel Plate | S1b      |
| 54-010       | SPDT      | ON     | OFF  | ON    | Brass/Nickel Plate | S1c      |
| 54-023       | SPST      | ON     | NONE | OFF   | Brass/Nickel Plate | S1d      |
| 54-024       | SPDT      | ON     | NONE | ON    | Brass/Nickel Plate | S1d      |
| 54-025       | SPDT      | ON     | OFF  | ON    | Brass/Nickel Plate | S1d      |
| 54-456*      | SPST      | ON     | NONE | OFF   | Brass/Nickel Plate | S1c      |
| 54-457*      | SPST      | (ON)   | NONE | OFF   | Brass/Nickel Plate | S1c      |
| 54-458*      | SPST      | ON     | NONE | OFF   | Brass/Nickel Plate | S1b      |
| 54-459*      | SPDT      | ON     | OFF  | ON    | Brass/Nickel Plate | S1b      |
| 54-659*      | SPDT      | (ON)   | OFF  | (ON)  | Brass/Nickel Plate | S1b      |

SPECIAL NOTE: ( ) = Momentary Function  
\* Neoprene Seal Toggle

## Bat Handle

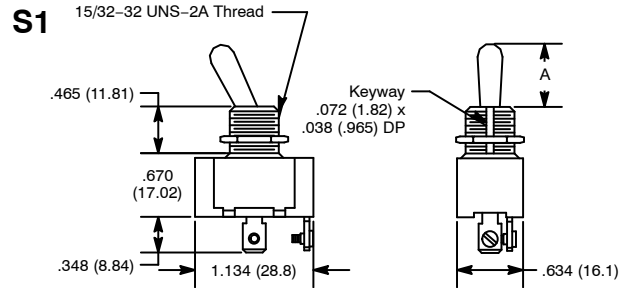


### Features

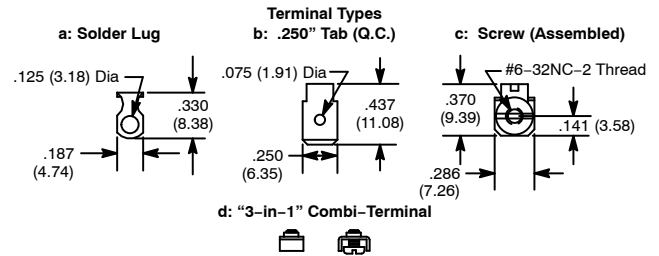
- Quick Make, Quick Break Wiping Action
- 6" Wire Leads
- Brass or Plastic Actuator



| NTE Type No. | Circuitry | Action |      |    | Actuator           | Diag No. |
|--------------|-----------|--------|------|----|--------------------|----------|
| 54-130       | SPST      | OFF    | NONE | ON | Brass/Nickel Plate | S36      |
| 54-131       | SPST      | OFF    | NONE | ON | Plastic            | S36      |

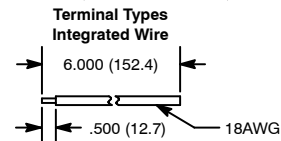
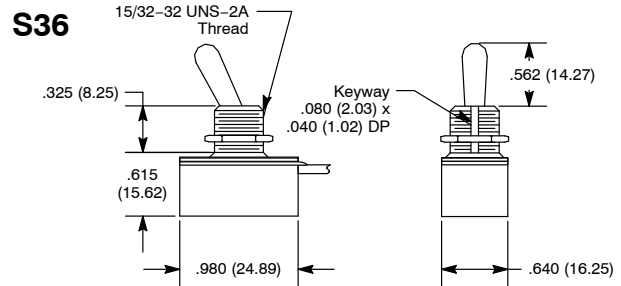


| NTE Type    | A            |
|-------------|--------------|
| 54-457      | 2.000 (50.8) |
| All Other s | .687 (17.44) |



## Specifications

- Current Rating:** 15A 125VAC, 10A 250VAC, 3/4 HP 125-250VAC
- Insulation Resistance:** 100 Megohms (min.)
- Dielectric Strength:** 1000V RMS (min.)
- Temperature Rating:** 0° to +150°F (-17.8° to +65.6°C)
- Electrical Life:** 50,000 cycles maintained, 25,000 cycles momentary
- Mechanical Life:** 100,000 cycles
- Terminal Type:** Refer to Diag No. in Table
- Mounting Hole:** .500 (12.7)



## Specifications

- Current Rating:** 10A 125VAC, 8A 125VDC, 4A 250VDC, 1/3 HP 125VAC
- Dielectric Strength:** 1000V RMS (min.)
- Temperature Rating:** +149°F (+65°C) Max
- Electrical Life:** 25,000 cycles Min
- Mechanical Life:** 100,000 cycles
- Terminal Type:** Integrated Wire
- Mounting Hole:** .500 (12.7)

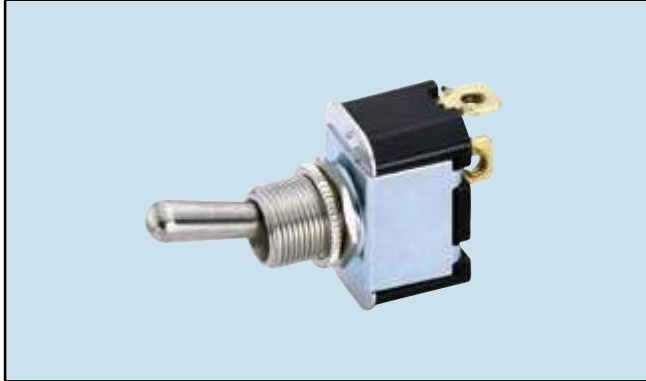
# Toggle Switches

## Bat Handle



### Features

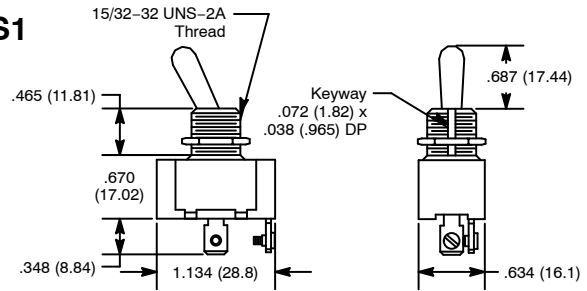
- Slow Make, Slow Break Contacts
- AC Rated, Suitable for Low Voltage DC Also
- Standard .500" Dia Mounting Hole
- Screw Mount Terminals



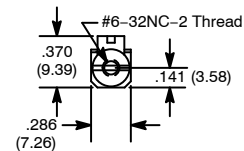
| NTE Type No. | Circuitry | Action |      |      | Actuator           | Diag No. |
|--------------|-----------|--------|------|------|--------------------|----------|
| 54-094       | SPST      | (ON)   | NONE | OFF  | Brass/Nickel Plate | S1c      |
| 54-096       | SPDT      | ON     | NONE | ON   | Brass/Nickel Plate | S1c      |
| 54-097       | SPDT      | ON     | NONE | (ON) | Brass/Nickel Plate | S1c      |
| 54-143       | SPST      | ON     | NONE | OFF  | Brass/Nickel Plate | S1c      |

SPECIAL NOTE: ( ) = Momentary Function

S1



Terminal Types  
c: Screw (Assembled)



## Specifications

**Current Rating:** 6A 125VAC, 3A 250VAC, 1/4 HP 120-240VAC  
**Insulation Resistance:** 100 Megohms (min.)  
**Dielectric Strength:** 1000V RMS (min.)  
**Temperature Rating:** 0° to +150°F (-17.8° to +65.6°C)  
**Electrical Life:** 50,000 cycles  
**Mechanical Life:** 100,000 cycles  
**Terminal Type:** Screw Type  
**Mounting Hole:** .500 (12.7)

## Bat Handle



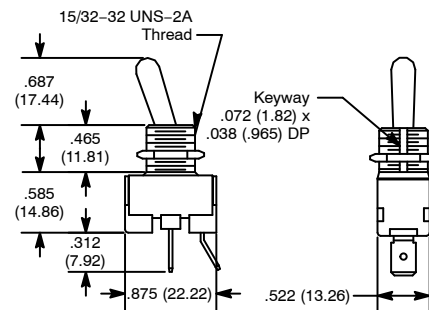
### Features

- AC Rated, General Purpose
- Industry Standard .500" Dia Mounting Hole
- .250" Quick Connect Terminals



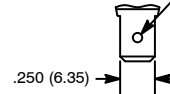
| NTE Type No. | Circuitry | Action |      |     | Actuator           | Diag No. |
|--------------|-----------|--------|------|-----|--------------------|----------|
| 54-005       | SPST      | ON     | NONE | OFF | Brass/Nickel Plate | S3b      |
| 54-098       | SPDT      | ON     | NONE | ON  | Brass/Nickel Plate | S3b      |

S3



Terminal Types

b: .250" Tab (Q.C.)  
.075 (1.9) Dia



## Specifications

**Current Rating:**  
**54-005:** 20A 125VAC, 10A 250VAC, 1 1/2 HP 125-250VAC  
**54-098:** 10A 125VAC, 5A 250VAC, 1/2 HP 125-250VAC  
**Insulation Resistance:** 100 Megohms (min.)  
**Dielectric Strength:** 1000V RMS (min.)  
**Temperature Rating:** +32° to +185°F (0° to +85°C)  
**Electrical Life:** 25,000 cycles  
**Mechanical Life:** 100,000 cycles  
**Terminal Type:** .250" Tab Q.C.  
**Mounting Hole:** .500 (12.7)

# Toggle Switches

## Bat Handle



### Features

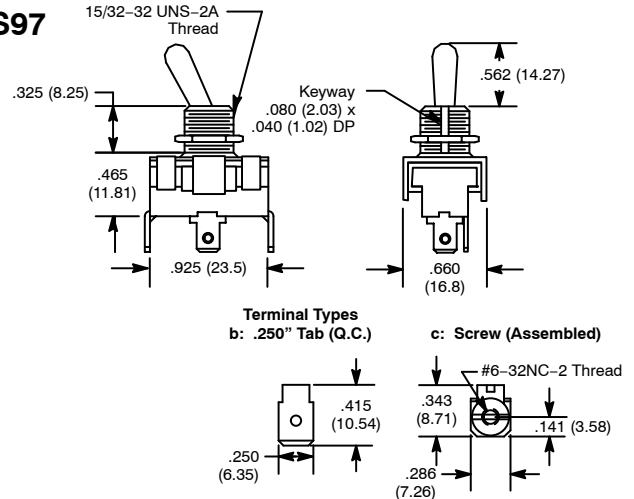
- Slow-Make/Slow-Break Butt Contact
- 1 HP, 125-250VAC



| NTE Type No. | Circuitry | Action |      |       | Actuator            | Diag No. |
|--------------|-----------|--------|------|-------|---------------------|----------|
| 54-579       | SPST      | ON     | NONE | OFF   | Nickel Plated Brass | S97b     |
| 54-580       | SPST (ON) | NONE   | OFF  |       | Nickel Plated Brass | S97b     |
| 54-581       | SPST      | ON     | NONE | (OFF) | Nickel Plated Brass | S97b     |
| 54-582       | SPDT      | ON     | NONE | ON    | Nickel Plated Brass | S97b     |
| 54-583       | SPDT      | ON     | OFF  | ON    | Nickel Plated Brass | S97b     |
| 54-584       | SPDT (ON) | NONE   | ON   |       | Nickel Plated Brass | S97b     |
| 54-585       | SPDT (ON) | OFF    | ON   |       | Nickel Plated Brass | S97b     |
| 54-586       | SPDT (ON) | OFF    | (ON) |       | Nickel Plated Brass | S97b     |
| 54-593       | SPST      | ON     | NONE | OFF   | Nickel Plated Brass | S97c     |
| 54-594       | SPST (ON) | NONE   | OFF  |       | Nickel Plated Brass | S97c     |
| 54-595       | SPST      | ON     | NONE | (OFF) | Nickel Plated Brass | S97c     |
| 54-596       | SPDT      | ON     | NONE | ON    | Nickel Plated Brass | S97c     |
| 54-597       | SPDT      | ON     | OFF  | ON    | Nickel Plated Brass | S97c     |
| 54-598       | SPDT (ON) | NONE   | ON   |       | Nickel Plated Brass | S97c     |
| 54-599       | SPDT (ON) | OFF    | ON   |       | Nickel Plated Brass | S97c     |
| 54-600       | SPDT (ON) | OFF    | (ON) |       | Nickel Plated Brass | S97c     |

SPECIAL NOTE: ( ) = Momentary Function

S97



## Specifications

**Current Rating:** 20A 125VAC, 10A 250VAC, 1 HP 125-250VAC  
**Insulation Resistance:** 10<sup>9</sup> ohms (min.)  
**Dielectric Strength:** 1500V RMS (min.)  
**Temperature Rating:** +14° to +149°F (-10° to +65°C)  
**Electrical Life:** 10,000 cycles (min.) at full load  
**Mechanical Life:** 30,000 cycles (min.)  
**Terminal Type:** Refer to Diag. No. in Table  
**Mounting Hole:** .500 (12.7)

## Bat Handle



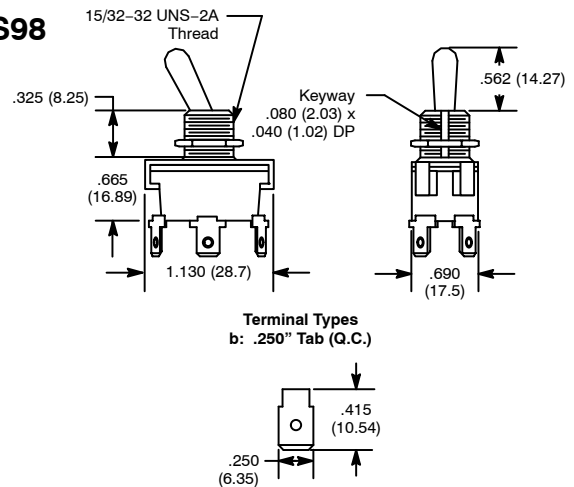
### Features

- Slow-Make/Slow-Break Butt Contact
- 1 HP, 125-250VAC



| NTE Type No. | Circuitry | Action |      |     | Actuator            | Diag No. |
|--------------|-----------|--------|------|-----|---------------------|----------|
| 54-590       | DPST      | ON     | NONE | OFF | Nickel Plated Brass | S98b     |
| 54-591       | DPDT      | ON     | NONE | ON  | Nickel Plated Brass | S98b     |
| 54-592       | DPDT      | ON     | OFF  | ON  | Nickel Plated Brass | S98b     |

S98



## Specifications

**Current Rating:** 20A 125VAC, 10A 250VAC, 1 HP 125-250VAC  
**Insulation Resistance:** 10<sup>9</sup> ohms (min.)  
**Dielectric Strength:** 1500V RMS (min.)  
**Temperature Rating:** +14° to +149°F (-10° to +65°C)  
**Electrical Life:** 10,000 cycles (min.) at full load  
**Mechanical Life:** 30,000 cycles (min.)  
**Terminal Type:** .250" Tab Q.C.  
**Mounting Hole:** .500 (12.7)

# Toggle Switches

## Bat Handle



### Features

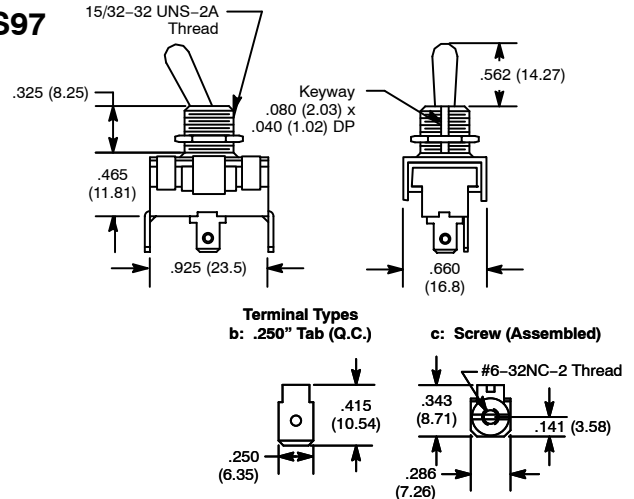
- Slow-Make/Slow-Break Butt Contact
- 3/4 HP, 125-250VAC



| NTE Type No. | Circuitry | Action |      |       | Actuator            | Diag No. |
|--------------|-----------|--------|------|-------|---------------------|----------|
| 54-610       | SPST      | ON     | NONE | OFF   | Nickel Plated Brass | S97c     |
| 54-611       | SPST (ON) | NONE   | NONE | OFF   | Nickel Plated Brass | S97c     |
| 54-612       | SPST      | ON     | NONE | (OFF) | Nickel Plated Brass | S97c     |
| 54-613       | SPDT      | ON     | NONE | ON    | Nickel Plated Brass | S97c     |
| 54-614       | SPDT      | ON     | OFF  | ON    | Nickel Plated Brass | S97c     |
| 54-615       | SPDT (ON) | NONE   | NONE | ON    | Nickel Plated Brass | S97c     |
| 54-616       | SPDT (ON) | OFF    | NONE | ON    | Nickel Plated Brass | S97c     |
| 54-617       | SPDT (ON) | OFF    | (ON) | ON    | Nickel Plated Brass | S97c     |
| 54-619       | SPST      | ON     | NONE | OFF   | Nickel Plated Brass | S97b     |
| 54-620       | SPST (ON) | NONE   | NONE | OFF   | Nickel Plated Brass | S97b     |
| 54-621       | SPST      | ON     | NONE | (OFF) | Nickel Plated Brass | S97b     |
| 54-622       | SPDT      | ON     | NONE | ON    | Nickel Plated Brass | S97b     |
| 54-623       | SPDT      | ON     | OFF  | ON    | Nickel Plated Brass | S97b     |
| 54-624       | SPDT (ON) | NONE   | NONE | ON    | Nickel Plated Brass | S97b     |
| 54-625       | SPDT (ON) | OFF    | NONE | ON    | Nickel Plated Brass | S97b     |
| 54-626       | SPDT (ON) | OFF    | (ON) | ON    | Nickel Plated Brass | S97b     |

SPECIAL NOTE: ( ) = Momentary Function

S97



## Specifications

**Current Rating:** 20A 125VAC, 10A 250VAC, 3/4 HP 125-250VAC  
**Insulation Resistance:** 10<sup>9</sup> ohms (min.)  
**Dielectric Strength:** 1000V RMS (min.)  
**Temperature Rating:** +14° to +149°F (-10° to +65°C)  
**Electrical Life:** 10,000 cycles (min.) at full load  
**Mechanical Life:** 30,000 cycles (min.)  
**Terminal Type:** Refer to Diag. No. in Table  
**Mounting Hole:** .500 (12.7)

## Bat Handle



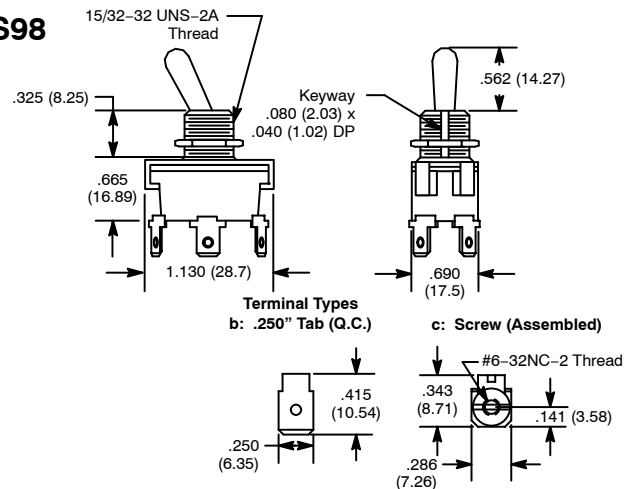
### Features

- Slow-Make/Slow-Break Butt Contact
- 3/4 HP, 125-250VAC



| NTE Type No. | Circuitry | Action |      |     | Actuator            | Diag No. |
|--------------|-----------|--------|------|-----|---------------------|----------|
| 54-602       | DPST      | ON     | NONE | OFF | Nickel Plated Brass | S98c     |
| 54-603       | DPDT      | ON     | NONE | ON  | Nickel Plated Brass | S98c     |
| 54-604       | DPDT      | ON     | OFF  | ON  | Nickel Plated Brass | S98c     |
| 54-606       | DPST      | ON     | NONE | OFF | Nickel Plated Brass | S98b     |
| 54-607       | DPDT      | ON     | NONE | ON  | Nickel Plated Brass | S98b     |
| 54-608       | DPDT      | ON     | OFF  | ON  | Nickel Plated Brass | S98b     |

S98



## Specifications

**Current Rating:** 20A 125VAC, 10A 250VAC, 3/4 HP 125-250VAC  
**Insulation Resistance:** 10<sup>9</sup> ohms (min.)  
**Dielectric Strength:** 1000V RMS (min.)  
**Temperature Rating:** +14° to +149°F (-10° to +65°C)  
**Electrical Life:** 10,000 cycles (min.) at full load  
**Mechanical Life:** 30,000 cycles (min.)  
**Terminal Type:** Refer to Diag. No. in Table  
**Mounting Hole:** .500 (12.7)

# Toggle Switches

## Bat Handle



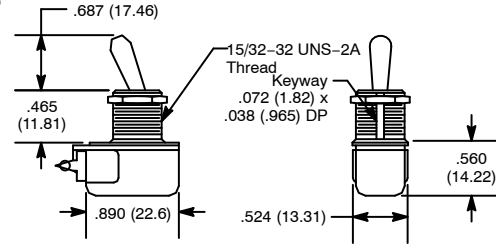
### Features

- Quick Make, Quick Break Contacts
- AC/DC Shallow Back Panel Applications
- Standard .500" Dia Mounting Hole



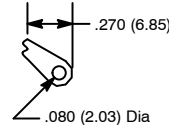
| NTE Type No. | Circuitry | Action |      |     | Actuator           | Diag No. |
|--------------|-----------|--------|------|-----|--------------------|----------|
| 54-070       | SPST      | ON     | NONE | OFF | Brass/Nickel Plate | S14a     |
| 54-071       | SPST      | ON     | NONE | OFF | Brass/Nickel Plate | S14c     |

S14

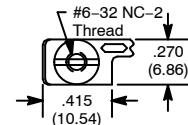


### Terminal Types

a: Solder Lug (End)



c: Screw (Assembled)



## Specifications

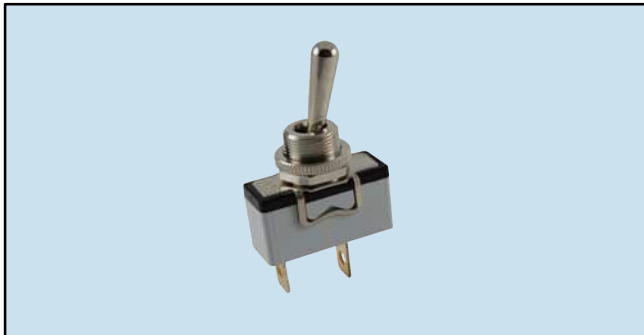
**Current Rating:** 6A 125VAC, 3A 250VAC, AC/DC  
**Insulation Resistance:** 100 Megohms (min.)  
**Dielectric Strength:** 1000V RMS (min.)  
**Temperature Rating:** 0° to +150°F (-17.8° to +65.6°C)  
**Electrical Life:** 25,000 cycles  
**Mechanical Life:** 15,000 cycles  
**Terminal Type:** Refer to Diag No. in Table  
**Mounting Hole:** .500 (12.7)

## Bat Handle



### Features

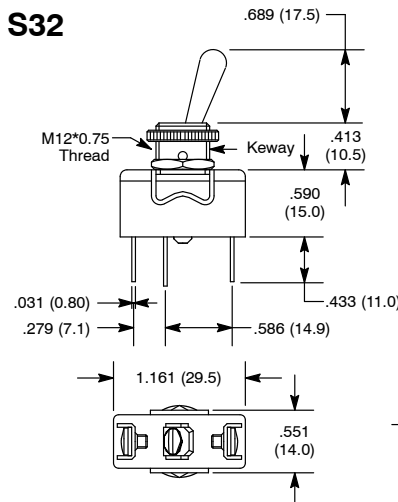
- Waterproof Types Available on Page 159
- Optional Rubber Boot, 54-905M



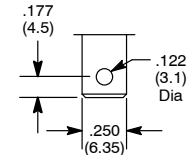
| NTE Type No. | Circuitry | Action |      |      | Actuator            | Diag No. |
|--------------|-----------|--------|------|------|---------------------|----------|
| 54-348       | SPST      | ON     | NONE | OFF  | Nickel Plated Brass | S32a     |
| 54-349       | SPDT      | ON     | NONE | ON   | Nickel Plated Brass | S32a     |
| 54-350       | SPDT      | ON     | OFF  | ON   | Nickel Plated Brass | S32a     |
| 54-351       | SPDT      | (ON)   | NONE | ON   | Nickel Plated Brass | S32a     |
| 54-352       | SPDT      | (ON)   | OFF  | (ON) | Nickel Plated Brass | S32a     |
| 54-353       | SPDT      | ON     | OFF  | (ON) | Nickel Plated Brass | S32a     |
| 54-354       | SPST      | ON     | NONE | OFF  | Nickel Plated Brass | S32c     |
| 54-355       | SPDT      | ON     | NONE | ON   | Nickel Plated Brass | S32c     |
| 54-356       | SPDT      | ON     | OFF  | ON   | Nickel Plated Brass | S32c     |
| 54-357       | SPDT      | (ON)   | NONE | ON   | Nickel Plated Brass | S32c     |
| 54-358       | SPDT      | (ON)   | OFF  | (ON) | Nickel Plated Brass | S32c     |
| 54-359       | SPDT      | ON     | OFF  | (ON) | Nickel Plated Brass | S32c     |

SPECIAL NOTE: ( ) = Momentary Function

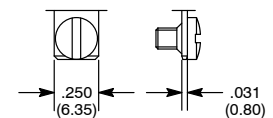
S32



a: Solder Lug/Quick Connect



c: Screw (Assembled)



## Specifications

**Current Rating:**  
**Functions ON-OFF and ON-ON:** 15A 250VAC or 10A 24VDC  
**Functions ON OFF ON:** 15A 250VAC  
**Other Functions:** 15A 125VAC, 12A 250VAC or 5A 25VDC  
**Insulation Resistance:** 1000 Megohms (min.) at 500VDC  
**Dielectric Strength:** 2000V RMS (min.) between terminals  
**Temperature Rating:** -4° to +131°F (-20° to +55°C)  
**Electrical Life:** 10,000 cycles (min.) at full load  
**Terminal Type:** Refer to Diag No. in Table  
**Mounting Hole:** .480 (12.2)

# Toggle Switches

## Bat Handle



### Features

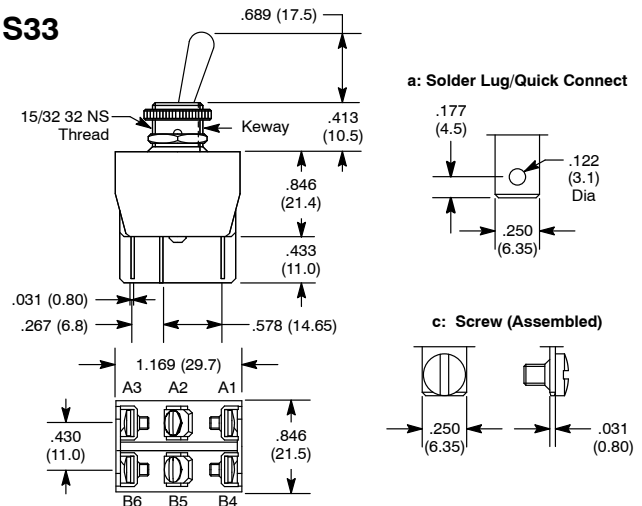
- Waterproof Types Available on Page 159



| NTE Type No. | Circuitry | Current Rating | Action |      |      | Actuator           | Diag No. |
|--------------|-----------|----------------|--------|------|------|--------------------|----------|
| 54-360       | DPDT      | A              | ON     | NONE | ON   | Brass/Nickel Plate | S33a     |
| 54-361#      | DPDT      | D              | ON     | OFF  | ON   | Brass/Nickel Plate | S33a     |
| 54-362*#     | SP3T      | C              | ON     | ON   | ON   | Brass/Nickel Plate | S33a     |
| 54-363#      | DPDT      | C              | (ON)   | NONE | ON   | Brass/Nickel Plate | S33a     |
| 54-364#      | DPDT      | C              | (ON)   | OFF  | (ON) | Brass/Nickel Plate | S33a     |
| 54-365#      | DPDT      | C              | ON     | OFF  | (ON) | Brass/Nickel Plate | S33a     |
| 54-366       | DPST      | A              | ON     | NONE | OFF  | Brass/Nickel Plate | S33a     |
| 54-367       | DPST      | A              | ON     | NONE | OFF  | Brass/Nickel Plate | S33c     |
| 54-369##     | DPDT      | A              | ON     | NONE | ON   | Brass/Nickel Plate | S33c     |
| 54-370#      | DPDT      | B              | ON     | OFF  | ON   | Brass/Nickel Plate | S33c     |
| 54-371*#     | SP3T      | C              | ON     | ON   | ON   | Brass/Nickel Plate | S33c     |
| 54-372#      | DPDT      | C              | (ON)   | NONE | ON   | Brass/Nickel Plate | S33c     |
| 54-373##     | DPDT      | C              | (ON)   | OFF  | (ON) | Brass/Nickel Plate | S33c     |
| 54-374##     | DPDT      | C              | ON     | OFF  | (ON) | Brass/Nickel Plate | S33c     |

SPECIAL NOTE: ( ) = Momentary Function  
 \* SP in DP case.  
 # UL for 10 Amp ONLY  
 ## UL for 12 Amp ONLY

### S33



## Specifications

### Current Rating:

- A: 15A 250VAC or 10A 24VDC, 15A 12VDC
- B: 15A 250VAC,
- C: 15A 125VAC, 12A 250VAC or 5A 25VDC
- D: 10A 125-250VAC, 1/2HP

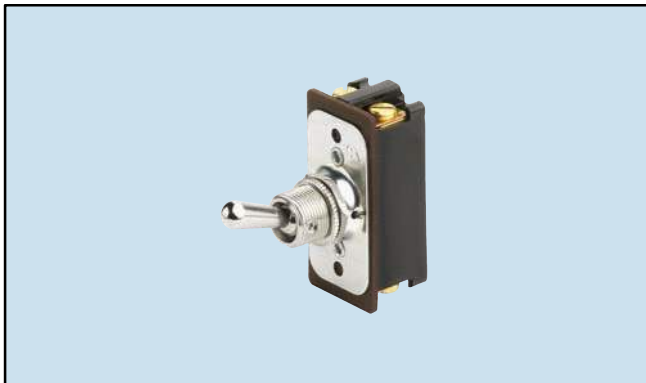
**Insulation Resistance:** 1000 Megohms (min.) at 500VDC  
**Dielectric Strength:** 2000V RMS (min.) between terminals  
**Temperature Rating:** -4° to +131°F (-20° to +55°C)  
**Electrical Life:** 10,000 cycles (min.) at full load  
**Terminal Type:** Refer to Diag No. in Table  
**Mounting Hole:** .480 (12.2)

## Bat Handle



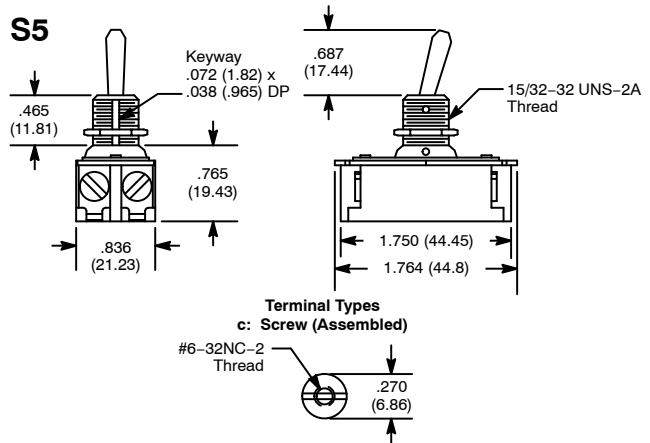
### Features

- Quick Make, Quick Break Contacts
- Suitable for High Amperage AC/DC Motor Control
- Screw Terminals



| NTE Type No. | Circuitry | Action |      |     | Actuator           | Diag No. |
|--------------|-----------|--------|------|-----|--------------------|----------|
| 54-055       | DPST      | ON     | NONE | OFF | Brass/Nickel Plate | S5c      |
| 54-056       | SPST      | ON     | NONE | OFF | Brass/Nickel Plate | S5c      |

### S5



## Specifications

**Current Rating:** 16A 125VAC, 8A 250VAC, 1 HP 125-250VAC  
**Insulation Resistance:** 100 Megohms (min.)  
**Dielectric Strength:** 1000V RMS (min.)  
**Temperature Rating:** 0° to +150°F (-17.8° to +65.6°C)  
**Electrical Life:** 25,000 cycles  
**Mechanical Life:** 100,000 cycles  
**Terminal Type:** Screw Type  
**Mounting Hole:** .500 (12.7)

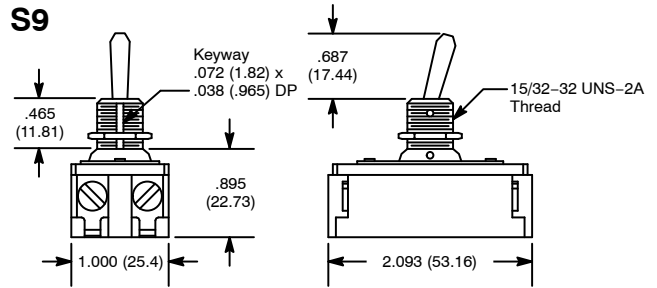
# Toggle Switches

## Bat Handle



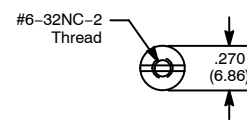
| NTE Type No. | Circuitry | Action |      |     | Actuator           | Diag No. |
|--------------|-----------|--------|------|-----|--------------------|----------|
| 54-057       | DPST      | ON     | NONE | OFF | Brass/Nickel Plate | S9       |

S9



Terminal Types

c: Screw (Assembled)



## Specifications

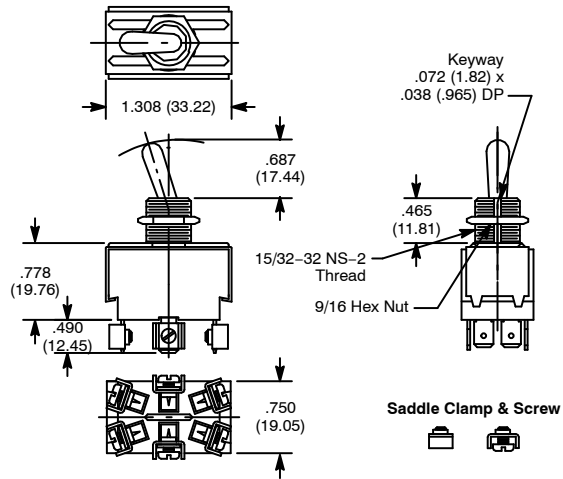
**Current Rating:** 20A 125VAC, 10A 250VAC, 1 1/2 HP 125-250VAC  
**Insulation Resistance:** 100 Megohms (min.)  
**Dielectric Strength:** 1000V RMS (min.)  
**Temperature Rating:** 0°F to +150°F (-17.8°C to +65.6°C)  
**Electrical Life:** 25,000 cycles  
**Mechanical Life:** 100,000 cycles  
**Terminal Type:** Screw Type  
**Mounting Hole:** .500 (12.7)

## Bat Handle

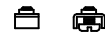


| NTE Type No. | Circuitry | Action |      |     | Actuator           | Diag No. |
|--------------|-----------|--------|------|-----|--------------------|----------|
| 54-026       | DPST      | ON     | NONE | OFF | Brass/Nickel Plate | S8       |
| 54-027       | DPDT      | ON     | NONE | ON  | Brass/Nickel Plate | S8       |
| 54-028       | DPDT      | ON     | OFF  | ON  | Brass/Nickel Plate | S8       |

S8



Saddle Clamp & Screw



## Specifications

**Current Rating:** 15A 125VAC, 10A 250VAC, 3/4 HP 125-250VAC  
**Insulation Resistance:** 100 Megohms (min.)  
**Dielectric Strength:** 1000V RMS (min.)  
**Temperature Rating:** +32° to +185°F (0° to +85°C)  
**Electrical Life:** 50,000 cycles  
**Mechanical Life:** 100,000 cycles  
**Terminal Type:** "3-in-1" Combi-Terminal  
**Mounting Hole:** .500 (12.7)



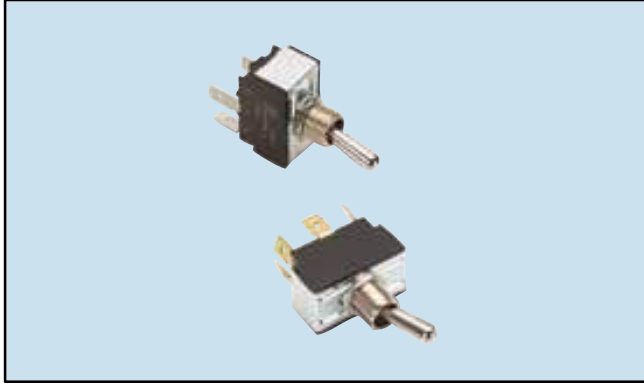
# Toggle Switches

## Bat Handle



### Features

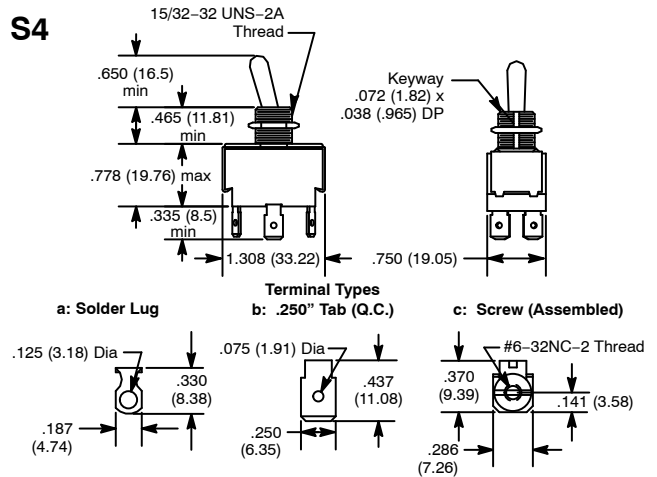
- Slow Make, Slow Break Contacts
- Heavy Duty AC Rated Also Suitable for Low Voltage DC Applications
- Industry Standard .500" Dia Mounting Hole
- Various Terminal Selections



| NTE Type No. | Circuitry | Current Rating | Action |      |       | Actuator           | Diag No. |
|--------------|-----------|----------------|--------|------|-------|--------------------|----------|
| 54-003       | DPDT      | A              | ON     | NONE | ON    | Brass/Nickel Plate | S4b      |
| 54-004       | DPST      | A              | ON     | NONE | OFF   | Brass/Nickel Plate | S4b      |
| 54-011       | DPST      | A              | ON     | NONE | OFF   | Brass/Nickel Plate | S4c      |
| 54-012       | DPDT      | A              | ON     | OFF  | ON    | Brass/Nickel Plate | S4b      |
| 54-013       | DPDT      | A              | ON     | OFF  | ON    | Brass/Nickel Plate | S4c      |
| 54-093       | SPST      | B              | ON     | NONE | OFF   | Brass/Nickel Plate | S4c      |
| 54-095       | SPDT      | B              | ON     | OFF  | ON    | Brass/Nickel Plate | S4c      |
| 54-099       | DPDT      | E              | ON     | NONE | ON    | Brass/Nickel Plate | S4c      |
| 54-100       | DPDT      | B              | ON     | OFF  | ON    | Brass/Nickel Plate | S4c      |
| 54-101       | DPDT      | C              | ON     | NONE | (ON)  | Brass/Nickel Plate | S4a      |
| 54-103       | SPST      | A              | (ON)   | NONE | OFF   | Brass/Nickel Plate | S4c      |
| 54-104       | SPST      | A              | ON     | NONE | (OFF) | Brass/Nickel Plate | S4c      |
| 54-137*      | SPST      | D              | ON     | NONE | OFF   | Brass/Nickel Plate | S4a      |

SPECIAL NOTE: ( ) = Momentary Function  
\* SP in DP case.

S4



## Specifications

### Current Rating:

- A: 15A 125VAC, 10A 250VAC, 3/4 HP 125-250VAC  
B: 20A 125-277VAC, 1 1/2 HP 125VAC, 2 HP 250VAC  
C: 6A 125VAC, 3A 250VAC, 1/4HP 125-250VAC  
D: 20A 250VAC  
E: 10A 277VAC, 20A 125VAC, 1 1/2 HP 125-250VAC

Insulation Resistance: 100 Megohms (min.)

Dielectric Strength: 1000V RMS (min.)  
1500V RMS (min.) (54-012 & 54-099 only)

Temperature Rating: +32° to +185°F (0° to +85°C)

Electrical Life: 25,000 cycles

Mechanical Life: 100,000 cycles

Terminal Type: Refer to Diag No. in Table

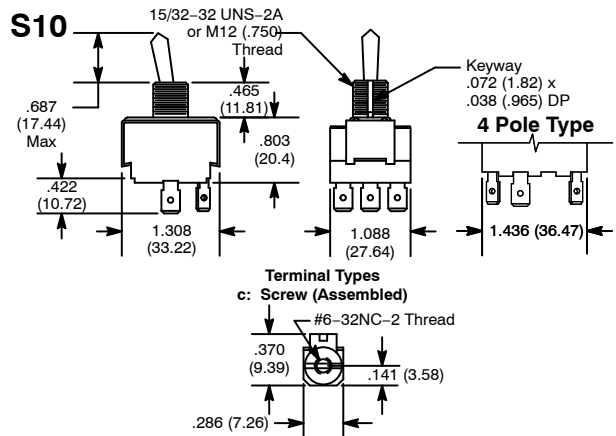
Mounting Hole: .500 (12.7)

## Bat Handle



| NTE Type No. | Circuitry | Action |      |    | Actuator           | Diag No. |
|--------------|-----------|--------|------|----|--------------------|----------|
| 54-014       | 3PST      | OFF    | NONE | ON | Brass/Nickel Plate | S10c     |
| 54-015       | 3PDT      | ON     | OFF  | ON | Brass/Nickel Plate | S10c     |
| 54-016       | 3PST      | ON     | NONE | ON | Brass/Nickel Plate | S10c     |
| 54-017       | 4PDT      | ON     | OFF  | ON | Brass/Nickel Plate | S10c     |
| 54-018       | 4PST      | OFF    | NONE | ON | Brass/Nickel Plate | S10c     |
| 54-019       | 4PDT      | ON     | NONE | ON | Brass/Nickel Plate | S10c     |

S10



## Specifications

Current Rating: 15A 125VAC, 10A 250VAC, 3/4 HP 125-250VAC, 1, 2 or 3 Phase

Insulation Resistance: 100 Megohms (min.)

Dielectric Strength: 1000V RMS (min.)

Temperature Rating: 0° to +150°F (-17.8° to +65.6°C)

Electrical Life: 50,000 cycles

Mechanical Life: 100,000 cycles

Terminal Type: Screw Type

Mounting Hole: .500 (12.7) Max.

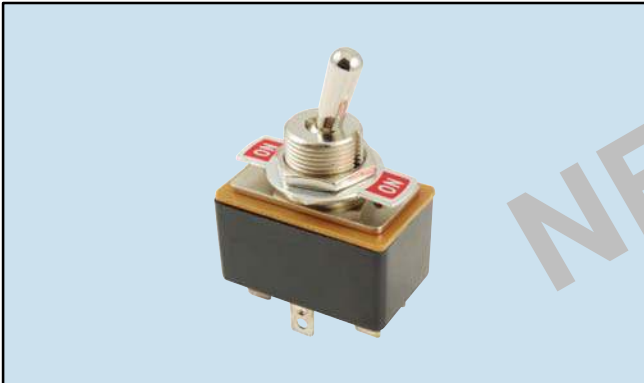


# Toggle Switches

## Bat Handle w/Indicator Plate

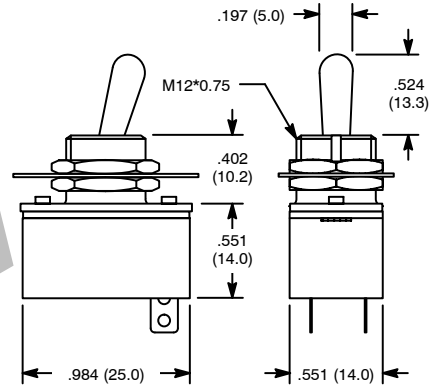
### Features

- Includes Indicator Plate



| NTE Type No. | Circuitry | Action |      |    | Actuator              | Diag No. |
|--------------|-----------|--------|------|----|-----------------------|----------|
| 54-717       | SPST      | OFF    | NONE | ON | Copper Alloy/Ni Plate | S132     |
| 54-718       | DPDT      | ON     | NONE | ON | Copper Alloy/Ni Plate | S132     |

S132



### Specifications

**Current Rating:** 3A 125VAC, 1.5A 250VAC  
**Insulation Resistance:** 100 Megohms (min.)  
**Dielectric Strength:** 1000V RMS (min.)  
**Temperature Rating:** -13° to +185°F (-25° to +85°C)  
**Electrical Life:** 6,000 cycles  
**Mechanical Life:** 10,000 cycles  
**Terminal Type:** Solder Lug  
**Mounting Hole:** .480 (12.2) Max.

## Round Hole Bat Handle

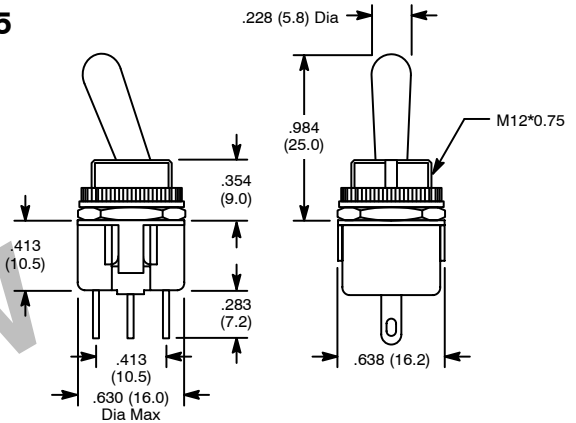
### Features

- Round Hole Type
- Optional Indicator Plate, 54-928
- Optional Waterproof Boot, 54-929



| NTE Type No. | Circuitry | Action |      |    | Actuator                   | Diag No. |
|--------------|-----------|--------|------|----|----------------------------|----------|
| 54-722       | SPDT      | ON     | NONE | ON | Nickel Plated Copper Alloy | S135     |

S135



### Specifications

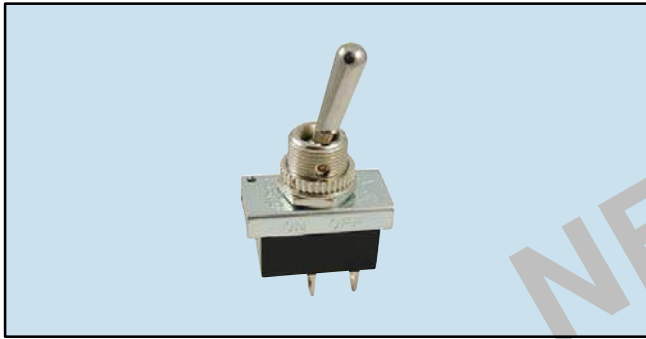
**Current Rating:** 6A 125VAC, 3A 250VAC  
**Insulation Resistance:** 100 Megohms (min.)  
**Dielectric Strength:** 1000V RMS (min.)  
**Temperature Rating:** -4° to +185°F (-20° to +85°C)  
**Electrical Life:** 6,000 cycles  
**Mechanical Life:** 10,000 cycles  
**Terminal Type:** Solder Lug  
**Mounting Hole:** .480 (12.2) Max.

# Toggle Switches

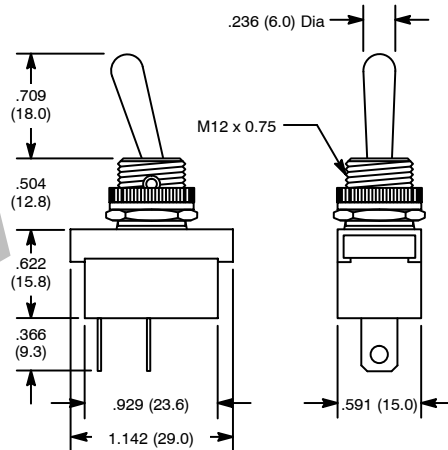
## Bat Handle



S142



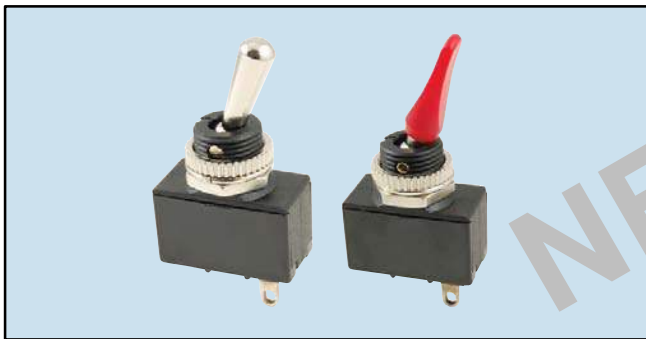
| NTE Type No. | Circuitry | Action      | Actuator           | Diag No. |
|--------------|-----------|-------------|--------------------|----------|
| 54-738       | SPST      | ON NONE OFF | Chrome Plated Zinc | S142     |



## Specifications

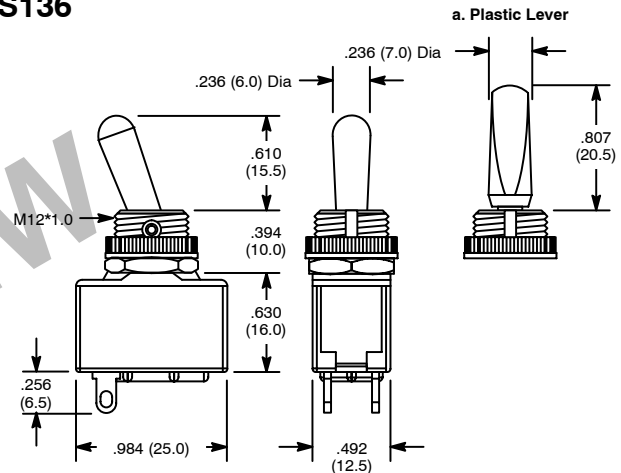
**Current Rating:** 10A 125VAC, 6A 250VAC  
**Insulation Resistance:** 100 Megohms (min.) at 500VDC  
**Dielectric Strength:** 1000V RMS (min.)  
**Temperature Rating:** +32° to +149°F (0° to +65°C)  
**Electrical Life:** 6,000 cycles  
**Mechanical Life:** 10,000 cycles  
**Terminal Type:** .250" Tab Q.C.  
**Mounting Hole:** .480 (12.2)

## Bat and Paddle Handle



| NTE Type No. | Circuitry | Action      | Actuator            | Diag No. |
|--------------|-----------|-------------|---------------------|----------|
| 54-745       | SPST      | ON NONE OFF | Nickel Plated Metal | S136     |
| 54-745-R     | SPST      | ON NONE OFF | Red ABS Resin       | S136a    |

S136



## Specifications

**Current Rating:** 6A 125VAC, 3A 250VAC  
**Insulation Resistance:** 100 Megohms (min.) at 500VDC  
**Dielectric Strength:** 1500V RMS (min.)  
**Temperature Rating:** -4° to +185°F (-20° to +85°C)  
**Electrical Life:** 6,000 cycles  
**Mechanical Life:** 10,000 cycles  
**Terminal Type:** Solder Lug  
**Mounting Hole:** .472 (12.0)

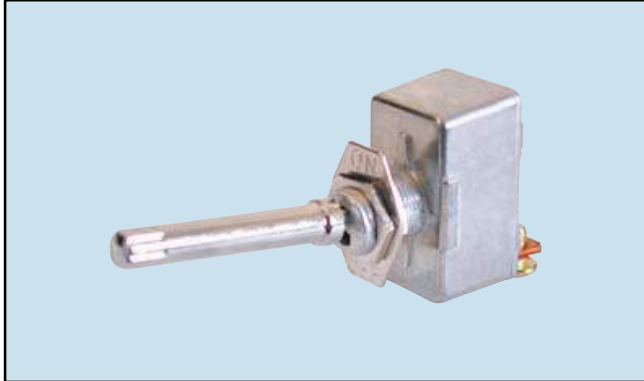
# Toggle Switches

## Long Bat Handle



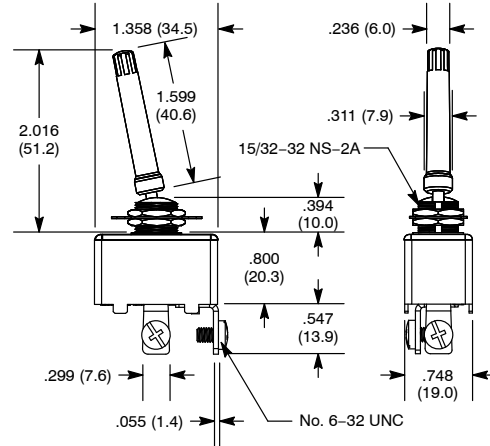
### Features

- 50 Amps at 12VDC
- 1 5/8" Long Bat Handle
- Screw Terminals



| NTE Type No. | Circuitry | Action |      |     | Actuator      | Diag No. |
|--------------|-----------|--------|------|-----|---------------|----------|
| 54-564       | SPST      | ON     | NONE | OFF | Chrome Plated | S29      |

S29



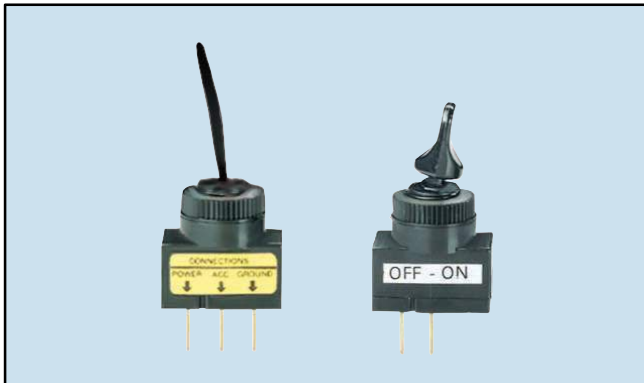
## Specifications

**Current Rating:** 50A 12VDC  
**Insulation Resistance:** 100 Megohms (min.) at 500VDC  
**Dielectric Strength:** 1500V RMS (min.)  
**Temperature Rating:** -4° to +180°F (-20° to +85°C)  
**Electrical Life:** 25,000 cycles  
**Mechanical Life:** 100,000 cycles  
**Terminal Type:** Screw Type  
**Mounting Hole:** .500 (12.7)

## ON/OFF Bat Handle and Duckbill

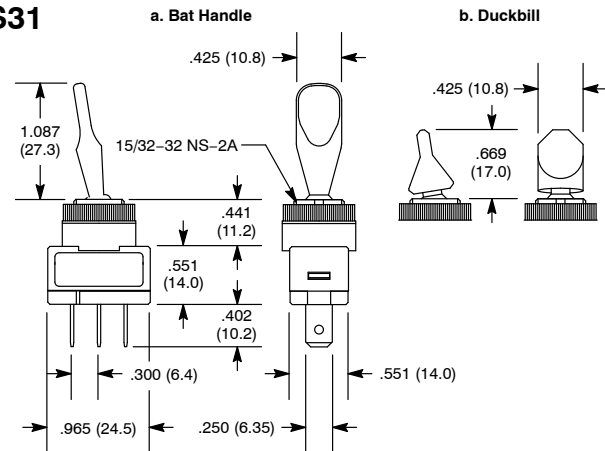
### Features

- Illuminated Types Available on Page 161
- Bat Handle (54-566, 54-571-2) and Duckbill (54-571) Types
- .250" Quick-Connect Terminals



| NTE Type No. | Circuitry | Action |      |     | Actuator               | Diag No. |
|--------------|-----------|--------|------|-----|------------------------|----------|
| 54-566       | SPST      | ON     | NONE | OFF | Black Brushed Aluminum | S31a     |
| 54-571       | SPST      | ON     | NONE | OFF |                        | S31b     |
| 54-571-2     | SPDT      | ON     | OFF  | ON  |                        | S31a     |

S31



## Specifications

**Current Rating:** 20A 12VDC  
**Insulation Resistance:** 100 Megohms (min.) at 500VDC  
**Dielectric Strength:** 1000V RMS (min.)  
**Temperature Rating:** -4° to +180°F (-20° to +85°C)  
**Electrical Life:** 25,000 cycles  
**Mechanical Life:** 100,000 cycles  
**Terminal Type:** .250" Tab Q.C.  
**Mounting Hole:** .500 (12.7)

# Toggle Switches

## Bat Handle, Subminiature

### Features

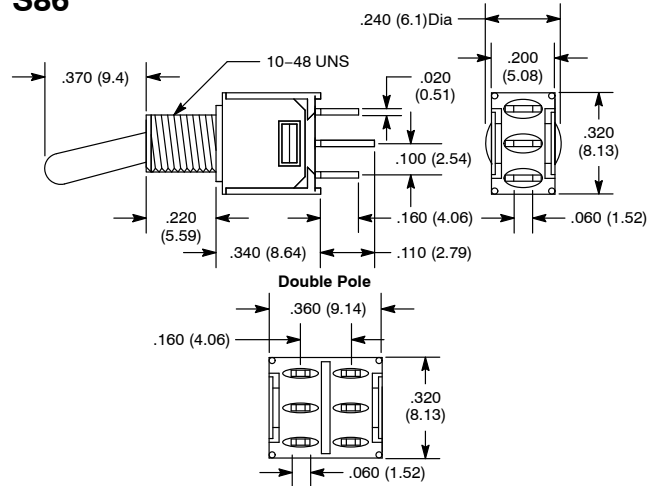
- Single and Double Pole Types
- Epoxy Sealed Terminals



| NTE Type No. | Circuitry | Action |      |     | Actuator            | Diag No. |
|--------------|-----------|--------|------|-----|---------------------|----------|
| 54-140       | SPST      | ON     | NONE | OFF | Chrome Plated Brass | S86      |
| 54-141       | SPDT      | ON     | NONE | ON  | Chrome Plated Brass | S86      |
| 54-142       | DPDT      | ON     | NONE | ON  | Chrome Plated Brass | S86      |

SPECIAL NOTE: ( ) = Momentary Function

### S86



## Specifications

**Current Rating:** 3A 120VAC or 28VDC, 1.5A 250VAC  
**Insulation Resistance:** 1000 Megohms (min.)  
**Dielectric Strength:** 1500V RMS (min.)  
**Temperature Rating:** -22° to +185°F (-30° to +85°C)  
**Electrical Life:** 30,000 cycles (min.)  
**Terminal Type:** Solder Lug  
**Mounting Hole:** .192 (4.9)

## Bat Handle, Subminiature

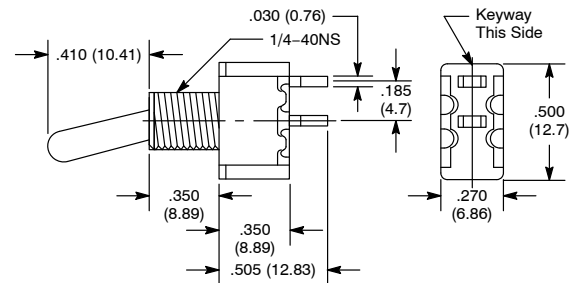
### Features

- Epoxy Sealed Terminals



| NTE Type No. | Circuitry | Action |      |     | Actuator            | Diag No. |
|--------------|-----------|--------|------|-----|---------------------|----------|
| 54-395       | SPST      | ON     | NONE | OFF | Chrome Plated Brass | S95      |

### S95



## Specifications

**Current Rating:** 5A 120VAC or 28VDC, 2A 250VAC  
**Insulation Resistance:** 1000 Megohms (min.)  
**Dielectric Strength:** 1000V RMS (min.)  
**Temperature Rating:** -22° to +266°F (-30° to +130°C)  
**Electrical Life:** 50,000 cycles (min.)  
**Terminal Type:** Solder Lug  
**Mounting Hole:** .250 (6.35)

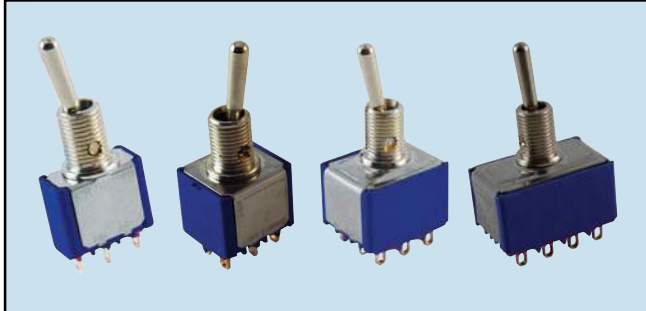
# Toggle Switches

## Mini Bat Handle

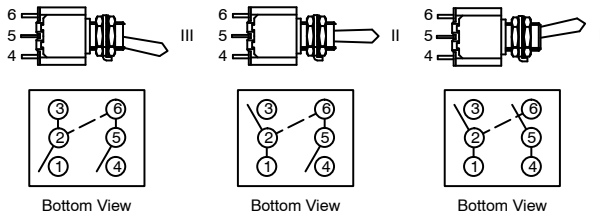


### Features

- SP, DP, 3P & 4P Types
- Epoxy Sealed Terminals
- Typical Applications Include: Switching Power Supplies, DC-DC Converters, Motors, etc.



### Wiring Diagram (54-306 Only)



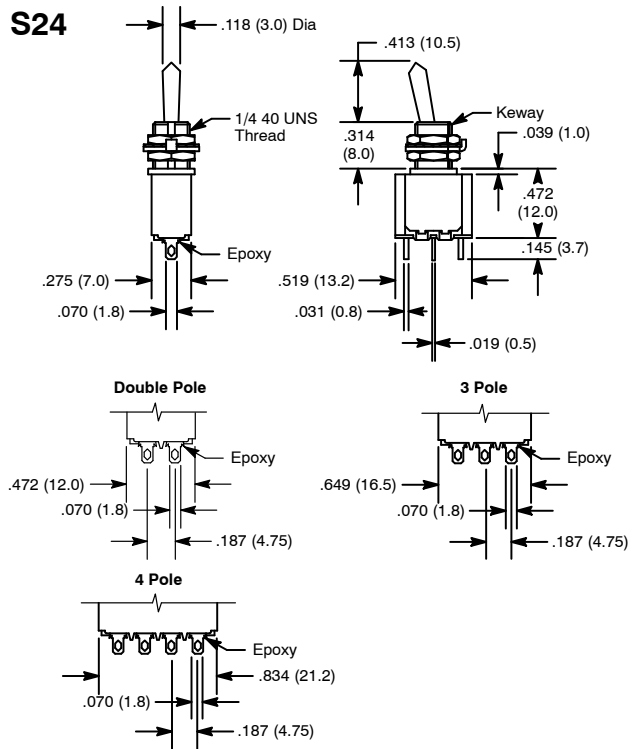
Equivalent to single pole 3 throw switch. Dotted line between terminals 2 & 6 indicate external jumpers to be added by customer.

| NTE Type No. | Circuitry | Action |      |      | Actuator            | Diag No. |
|--------------|-----------|--------|------|------|---------------------|----------|
| 54-301       | SPDT      | ON     | NONE | (ON) | Chrome Plated Brass | S24      |
| 54-302       | SPDT      | ON     | NONE | ON   | Chrome Plated Brass | S24      |
| 54-303       | SPDT      | ON     | OFF  | ON   | Chrome Plated Brass | S24      |
| 54-304       | SPDT      | ON     | OFF  | (ON) | Chrome Plated Brass | S24      |
| 54-305       | SPDT      | (ON)   | OFF  | (ON) | Chrome Plated Brass | S24      |
| 54-306*      | SP3T      | ON     | ON   | ON   | Chrome Plated Brass | S24      |
| 54-307       | DPDT      | ON     | NONE | ON   | Chrome Plated Brass | S24      |
| 54-308       | DPDT      | ON     | OFF  | ON   | Chrome Plated Brass | S24      |
| 54-309       | DPDT      | ON     | NONE | (ON) | Chrome Plated Brass | S24      |
| 54-310       | DPDT      | ON     | OFF  | (ON) | Chrome Plated Brass | S24      |
| 54-312       | 4PDT      | ON     | NONE | ON   | Chrome Plated Brass | S24      |
| 54-313       | 4PDT      | ON     | OFF  | ON   | Chrome Plated Brass | S24      |
| 54-314       | 4PDT      | (ON)   | OFF  | (ON) | Chrome Plated Brass | S24      |
| 54-315       | 4PDT      | ON     | OFF  | (ON) | Chrome Plated Brass | S24      |
| 54-316       | 4PDT      | ON     | NONE | (ON) | Chrome Plated Brass | S24      |
| 54-323       | 3PDT      | ON     | NONE | ON   | Chrome Plated Brass | S24      |
| 54-324       | 3PDT      | ON     | OFF  | ON   | Chrome Plated Brass | S24      |
| 54-325       | 3PDT      | (ON)   | OFF  | (ON) | Chrome Plated Brass | S24      |
| 54-326       | 3PDT      | ON     | OFF  | (ON) | Chrome Plated Brass | S24      |
| 54-327       | 3PDT      | ON     | NONE | (ON) | Chrome Plated Brass | S24      |

SPECIAL NOTE: ( ) = Momentary Function

\* SP in DP case.

S24



### Specifications

- Current Rating:** 6A 125VAC, 3A 250VAC or 4A 30VDC
- Insulation Resistance:** 1000 Megohms (min.) at 500VDC
- Dielectric Strength:** 1000V RMS (min.) between terminals
- Temperature Rating:** -40° to +185°F (-40° to +85°C)
- Electrical Life:** 50,000 cycles (min.)  
40,000 cycles (min.) **3 Pole Only**  
30,000 cycles (min.) **4 Pole Only**
- Terminal Type:** Refer to Diag No. in Table
- Mounting Hole:** .255 (6.5)

For Economy Versions, see page 153.

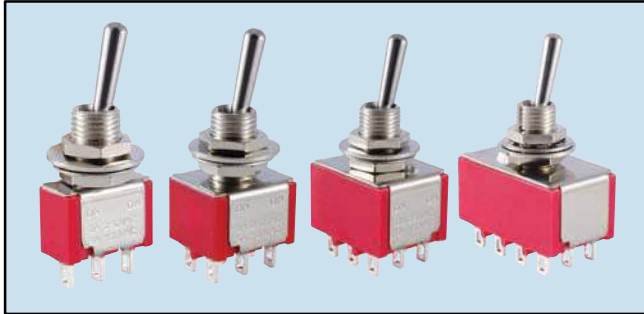
# Toggle Switches

## Mini Bat Handle



### Features

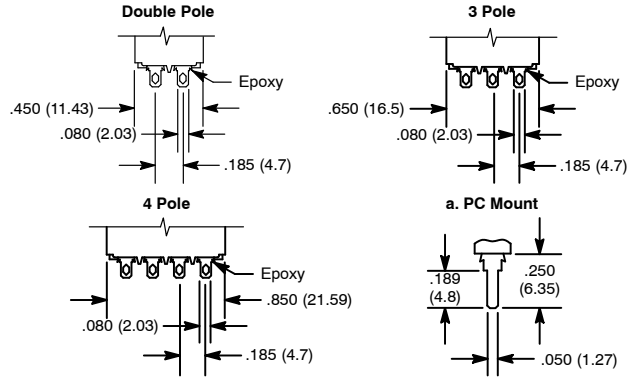
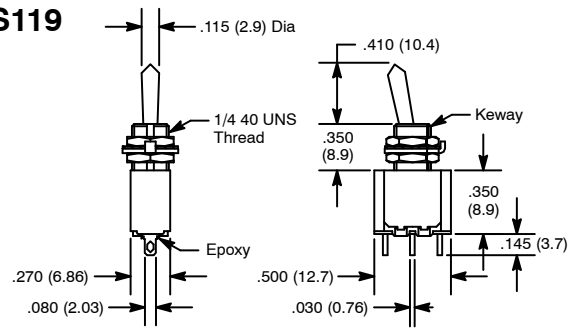
- Economy Series
- SP, DP, 3P & 4P Types
- PC Terminal Types Available (PC suffix)
- Epoxy Sealed Terminals
- Typical Applications Include: Switching Power Supplies, DC-DC Converters, Motors, etc.



| NTE Type No. | Circuitry | Action |      |      | Actuator            | Diag No. |
|--------------|-----------|--------|------|------|---------------------|----------|
| 54-301E      | SPDT      | ON     | NONE | (ON) | Chrome Plated Brass | S119     |
| 54-301PC     | SPDT      | ON     | NONE | (ON) | Chrome Plated Brass | S119a    |
| 54-302E      | SPDT      | ON     | NONE | ON   | Chrome Plated Brass | S119     |
| 54-302PC     | SPDT      | ON     | NONE | ON   | Chrome Plated Brass | S119a    |
| 54-303E      | SPDT      | ON     | OFF  | ON   | Chrome Plated Brass | S119     |
| 54-303PC     | SPDT      | ON     | OFF  | ON   | Chrome Plated Brass | S119a    |
| 54-304E      | SPDT      | ON     | OFF  | (ON) | Chrome Plated Brass | S119     |
| 54-304PC     | SPDT      | ON     | OFF  | (ON) | Chrome Plated Brass | S119a    |
| 54-305E      | SPDT (ON) | OFF    | (ON) | (ON) | Chrome Plated Brass | S119     |
| 54-305PC     | SPDT (ON) | OFF    | (ON) | (ON) | Chrome Plated Brass | S119a    |
| 54-307E      | DPDT      | ON     | NONE | ON   | Chrome Plated Brass | S119     |
| 54-307PC     | DPDT      | ON     | NONE | ON   | Chrome Plated Brass | S119a    |
| 54-308E      | DPDT      | ON     | OFF  | ON   | Chrome Plated Brass | S119     |
| 54-308PC     | DPDT      | ON     | OFF  | ON   | Chrome Plated Brass | S119a    |
| 54-309E      | DPDT      | ON     | NONE | (ON) | Chrome Plated Brass | S119     |
| 54-309PC     | DPDT      | ON     | NONE | (ON) | Chrome Plated Brass | S119a    |
| 54-310E      | DPDT      | ON     | OFF  | (ON) | Chrome Plated Brass | S119     |
| 54-310PC     | DPDT      | ON     | OFF  | (ON) | Chrome Plated Brass | S119a    |
| 54-311E      | DPDT      | (ON)   | OFF  | (ON) | Chrome Plated Brass | S119     |
| 54-311PC     | DPDT      | (ON)   | OFF  | (ON) | Chrome Plated Brass | S119a    |
| 54-323E      | 3PDT      | ON     | NONE | ON   | Chrome Plated Brass | S119     |
| 54-323PC     | 3PDT      | ON     | NONE | ON   | Chrome Plated Brass | S119a    |
| 54-324E      | 3PDT      | ON     | OFF  | ON   | Chrome Plated Brass | S119     |
| 54-324PC     | 3PDT      | ON     | OFF  | ON   | Chrome Plated Brass | S119a    |
| 54-327PC     | 3PDT      | ON     | NONE | (ON) | Chrome Plated Brass | S119a    |
| 54-312E      | 4PDT      | ON     | NONE | ON   | Chrome Plated Brass | S119     |
| 54-312PC     | 4PDT      | ON     | NONE | ON   | Chrome Plated Brass | S119a    |
| 54-313E      | 4PDT      | ON     | OFF  | ON   | Chrome Plated Brass | S119     |
| 54-313PC     | 4PDT      | ON     | OFF  | ON   | Chrome Plated Brass | S119a    |
| 54-316PC     | 4PDT      | ON     | NONE | (ON) | Chrome Plated Brass | S119a    |

SPECIAL NOTE: ( ) = Momentary Function

### S119



## Specifications

- Current Rating:** 5A 120VAC or 28VDC, 2A 250VAC
- Insulation Resistance:** 1000 Megohms (min.)
- Dielectric Strength:** 1000V RMS (min.)
- Temperature Rating:** -22° to +185°F (-30° to +85°C)
- Electrical Life:** 50,000 cycles (min.) at full load
- Terminal Type:** Refer to Diag No. in Table
- Mounting Hole:** .250 (6.35)



# Toggle Switches

## Flatted Handle Mini



### Features

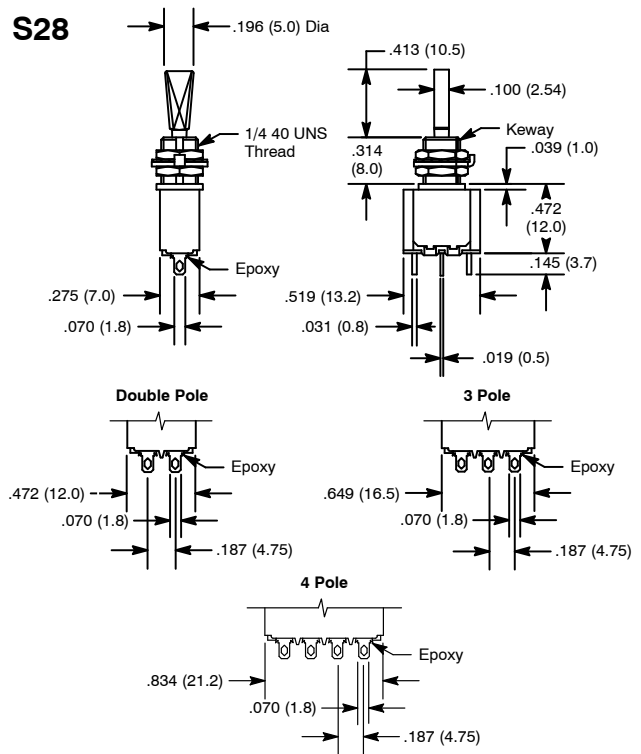
- SP, DP, 3P & 4P Types
- Epoxy Sealed Terminals
- Typical Applications Include: Switching Power Supplies, DC-DC Converters, Motors, etc.



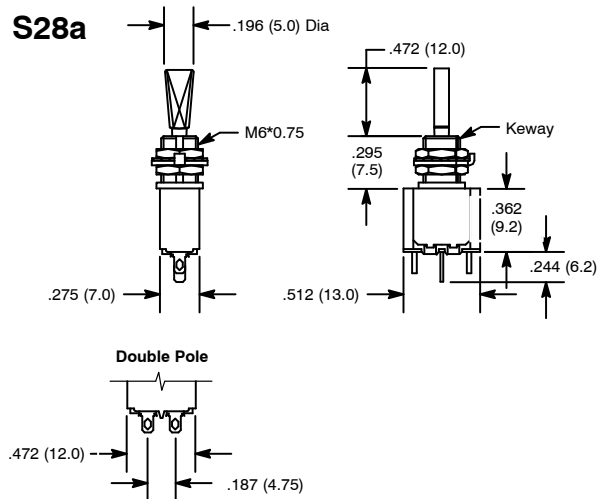
| NTE Type No. | Circuitry | Action |      |      | Actuator            | Diag No. |
|--------------|-----------|--------|------|------|---------------------|----------|
| 54-328       | SPDT      | ON     | NONE | ON   | Chrome Plated Brass | S28a     |
| 54-329       | SPDT      | ON     | OFF  | ON   | Chrome Plated Brass | S28a     |
| 54-330       | SPDT      | (ON)   | OFF  | (ON) | Chrome Plated Brass | S28a     |
| 54-331       | SPDT      | ON     | OFF  | (ON) | Chrome Plated Brass | S28a     |
| 54-332       | SPDT      | ON     | NONE | (ON) | Chrome Plated Brass | S28a     |
| 54-333       | DPDT      | ON     | NONE | ON   | Chrome Plated Brass | S28      |
| 54-334       | DPDT      | ON     | OFF  | ON   | Chrome Plated Brass | S28a     |
| 54-335       | DPDT      | (ON)   | OFF  | (ON) | Chrome Plated Brass | S28      |
| 54-336       | DPDT      | ON     | OFF  | (ON) | Chrome Plated Brass | S28a     |
| 54-337       | DPDT      | ON     | NONE | (ON) | Chrome Plated Brass | S28a     |
| 54-339       | 3PDT      | ON     | OFF  | ON   | Chrome Plated Brass | S28      |
| 54-340       | 3PDT      | (ON)   | OFF  | (ON) | Chrome Plated Brass | S28      |
| 54-341       | 3PDT      | ON     | OFF  | (ON) | Chrome Plated Brass | S28      |
| 54-342       | 3PDT      | ON     | NONE | (ON) | Chrome Plated Brass | S28      |
| 54-344       | 4PDT      | ON     | OFF  | ON   | Chrome Plated Brass | S28      |
| 54-345       | 4PDT      | (ON)   | OFF  | (ON) | Chrome Plated Brass | S28      |
| 54-346       | 4PDT      | ON     | OFF  | (ON) | Chrome Plated Brass | S28      |
| 54-347       | 4PDT      | ON     | NONE | (ON) | Chrome Plated Brass | S28      |

SPECIAL NOTE: ( ) = Momentary Function

### S28



### S28a



## Specifications

- Current Rating:** 6A 125VAC, 3A 250VAC or 4A 30VDC
- Insulation Resistance:** 1000 Megohms (min.) at 500VDC
- Dielectric Strength:** 1000V RMS (min.) between terminals
- Temperature Rating:** -40° to +185°F (-40° to +85°C)
- Electrical Life:** 50,000 cycles (min.)  
40,000 cycles (min.) **3 Pole Only**  
30,000 cycles (min.) **4 Pole Only**
- Terminal Type:** Solder Lug
- Mounting Hole:** .255 (6.5)

# Toggle Switches

## Nylon Paddle



### Features

- Nylon Insulated Toggle
- Self-Cleaning Wiping Contacts
- Industry Standard .500" Dia Mounting Hole
- Support Double Insulated Requirements



| NTE Type No. | Circuitry | Action |      |    | Actuator    | Diag No. |
|--------------|-----------|--------|------|----|-------------|----------|
| 54-020       | SPST      | OFF    | NONE | ON | Black Nylon | S6b      |
| 54-021       | SPDT      | ON     | NONE | ON | Black Nylon | S6b      |
| 54-022       | SPDT      | ON     | OFF  | ON | Black Nylon | S6b      |

## Nylon Paddle



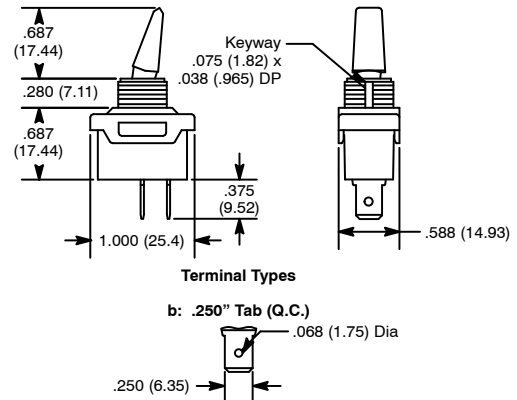
### Features

- Slow Make, Slow Break Contacts
- Heavy Duty AC Rated Also Suitable for Low Voltage DC Applications
- Industry Standard .500" Dia Mounting Hole



| NTE Type No. | Circuitry | Action |      |     | Actuator            | Diag No. |
|--------------|-----------|--------|------|-----|---------------------|----------|
| 54-110       | SPST      | ON     | NONE | OFF | Black Polycarbonate | S7c      |
| 54-111       | SPDT      | ON     | NONE | ON  | Black Polycarbonate | S7c      |
| 54-119       | SPDT      | ON     | OFF  | ON  | Black Polycarbonate | S7b      |
| 54-107       | DPST      | ON     | NONE | OFF | Black Polycarbonate | S7b      |
| 54-112       | DPST      | ON     | NONE | OFF | Black Polycarbonate | S7c      |
| 54-084       | DPDT      | ON     | NONE | ON  | Black Polycarbonate | S7a      |
| 54-085       | DPDT      | ON     | OFF  | ON  | Black Polycarbonate | S7a      |
| 54-108       | DPDT      | ON     | NONE | ON  | Black Polycarbonate | S7b      |
| 54-109       | DPDT      | ON     | OFF  | ON  | Black Polycarbonate | S7b      |
| 54-120       | DPDT      | ON     | OFF  | ON  | Black Polycarbonate | S7c      |

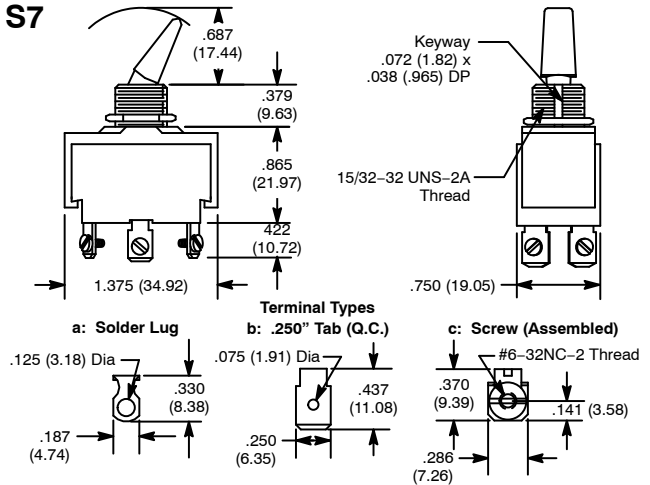
S6



## Specifications

**Current Rating:** 20A 125VAC, 10A 250VAC, 1 1/2 HP 125-250VAC  
**Insulation Resistance:** 100 Megohms (min.)  
**Dielectric Strength:** 1000V RMS (min.)  
**Temperature Rating:** +32° to +185°F (0° to +85°C)  
**Electrical Life:** 25,000 cycles  
**Mechanical Life:** 100,000 cycles  
**Terminal Type:** .250" Tab Q.C.  
**Mounting Hole:** .500 (12.7)

S7



## Specifications

**Current Rating:**  
**54-084 & 54-085:** 6A 125VAC, 3A 250VAC, 1/4 HP 125-250VAC  
**All Other Devices:** 20A 125-277VAC, 1 1/2 HP 125VAC, 2 HP 250VAC  
**Insulation Resistance:** 100 Megohms (min.)  
**Dielectric Strength:** 1000V RMS (min.)  
**Temperature Rating:** +32° to +185°F (0° to +85°C)  
**Electrical Life:** 50,000 cycles  
**Mechanical Life:** 100,000 cycles  
**Terminal Type:** Refer to Diag No. in Table  
**Mounting Hole:** .500 (12.7)

# Toggle Switches

## Nylon Paddle



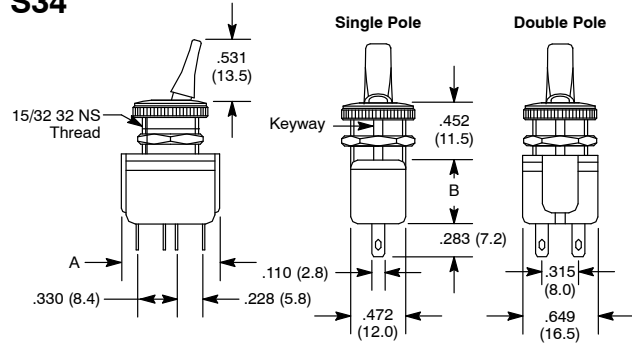
### Features

- Quick Connect Terminals
- Insulated Actuator



| NTE Type No. | Circuitry | Action |      |     | Actuator            | Diag No. |
|--------------|-----------|--------|------|-----|---------------------|----------|
| 54-317       | SPDT      | ON     | NONE | ON  | Black Polyamide 6-6 | S34      |
| 54-318       | SPDT      | ON     | OFF  | ON  | Black Polyamide 6-6 | S34      |
| 54-319       | SPST      | ON     | NONE | OFF | Black Polyamide 6-6 | S34      |
| 54-320       | DPST      | ON     | NONE | OFF | Black Polyamide 6-6 | S34      |
| 54-321       | DPDT      | ON     | NONE | ON  | Black Polyamide 6-6 | S34      |
| 54-322       | DPDT      | ON     | OFF  | ON  | Black Polyamide 6-6 | S34      |

### S34



| Device Type | A           | B           |
|-------------|-------------|-------------|
| Single Pole | .748 (19.0) | .551 (14.0) |
| Double Pole | .826 (21.0) | .590 (15.0) |

## Specifications

**Current Rating:** 6A 125VAC, 4A 250VAC  
**Insulation Resistance:** 1000 Megohms (min.) at 500VDC  
**Dielectric Strength:** 2000V RMS (min.) between terminals  
**Temperature Rating:** -4° to +131°F (-20° to +55°C)  
**Electrical Life:** 10,000 cycles (min.)  
**Terminal Type:** Solder Lug/Quick Connect  
**Mounting Hole:** .492 (12.5)

## Nylon Paddle



### Features

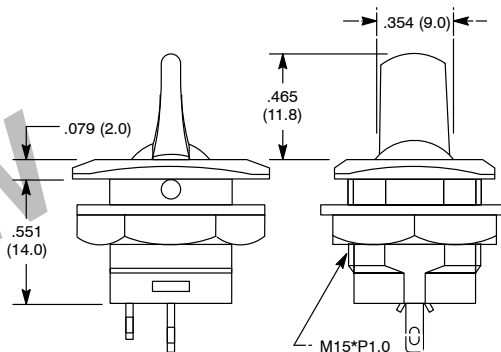
- Solder Lug Terminals



| NTE Type No. | Circuitry | Action |      |    | Actuator    | Diag No. |
|--------------|-----------|--------|------|----|-------------|----------|
| 54-723       | SPDT      | ON     | NONE | ON | Black Nylon | S129     |
| 54-724       | SPST      | OFF    | NONE | ON | Black Nylon | S129     |
| 54-725       | SPDT      | ON     | OFF  | ON | Black Nylon | S129     |
| 54-726       | SPDT      | (ON)   | NONE | ON | Black Nylon | S129     |

SPECIAL NOTE: ( ) = Momentary Function

### S129



## Specifications

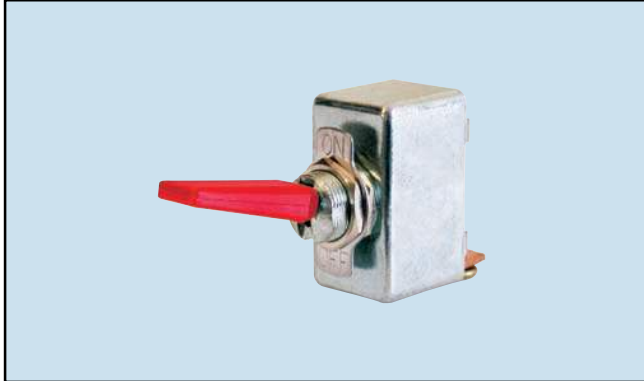
**Current Rating:** 6A 125VAC, 3A 250VAC  
**Insulation Resistance:** 100 Megohms (min.) at 500VDC  
**Dielectric Strength:** 1000V RMS (min.)  
**Temperature Rating:** +32° to +149°F (0° to +65°C)  
**Electrical Life:** 6,000 cycles  
**Mechanical Life:** 10,000 cycles  
**Terminal Type:** Solder Lug  
**Mounting Hole:** .590 (15.0)

# Toggle Switches

## Paddle Handle

### Features

- 50 Amps at 12VDC
- Suitable for Low Voltage, High Amperage Applications
- Screw Terminals



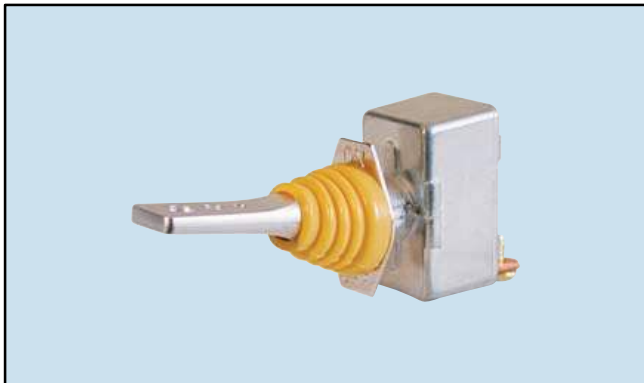
| NTE Type No. | Circuitry | Action |      |     | Actuator             |        | Diag No. |
|--------------|-----------|--------|------|-----|----------------------|--------|----------|
|              |           |        |      |     | Material             | Color  |          |
| 54-560       | SPST      | ON     | NONE | OFF | ABS                  | Black  | S26      |
| 54-561       | SPST      | ON     | NONE | OFF |                      | Red    | S26      |
| 54-562       | SPST      | ON     | NONE | OFF | ABS w/Chrome Plating | Chrome | S26      |

## Paddle Handle



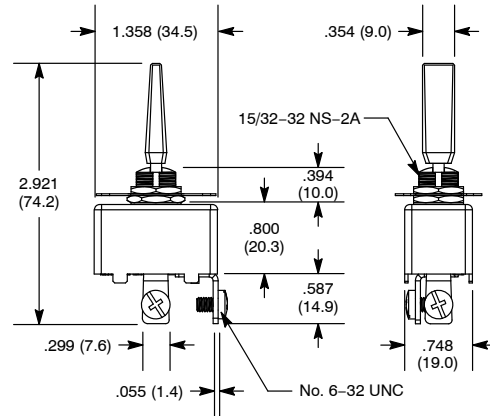
### Features

- 50 Amps at 12VDC
- Interchangeable Boots (Red, Black, Yellow and Blue) Included
- Screw Terminals



| NTE Type No. | Circuitry | Action |  |  | Actuator | Diag No. |
|--------------|-----------|--------|--|--|----------|----------|
|              |           |        |  |  |          |          |

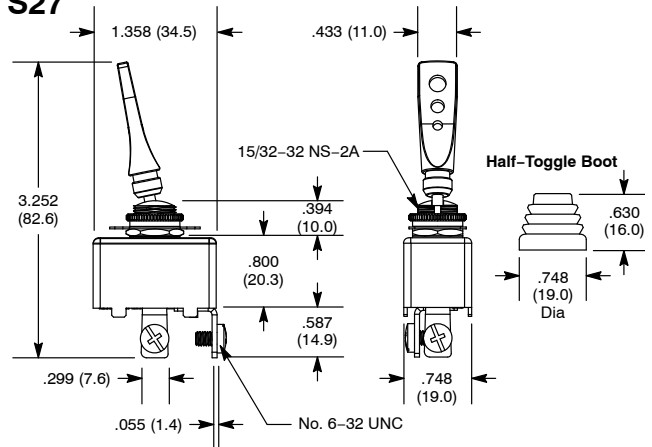
### S26



## Specifications

- Current Rating:** 50A 12VDC
- Insulation Resistance:** 100 Megohms (min.) at 500VDC
- Dielectric Strength:** 1500V RMS (min.)
- Temperature Rating:** -4° to +180°F (-20° to +85°C)
- Electrical Life:** 25,000 cycles
- Mechanical Life:** 100,000 cycles
- Terminal Type:** Screw Type
- Mounting Hole:** .500 (12.7)

### S27



## Specifications

- Current Rating:** 50A 12VDC
- Insulation Resistance:** 100 Megohms (min.) at 500VDC
- Dielectric Strength:** 1500V RMS (min.)
- Temperature Rating:** -4° to +180°F (-20° to +85°C)
- Electrical Life:** 25,000 cycles
- Mechanical Life:** 100,000 cycles
- Terminal Type:** Screw Type
- Mounting Hole:** .500 (12.7)

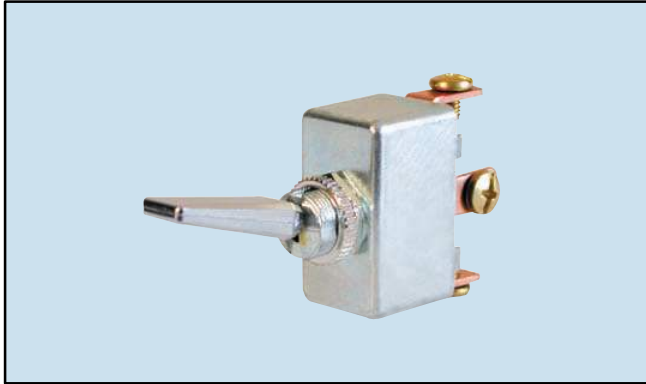
# Toggle Switches

## Paddle Handle



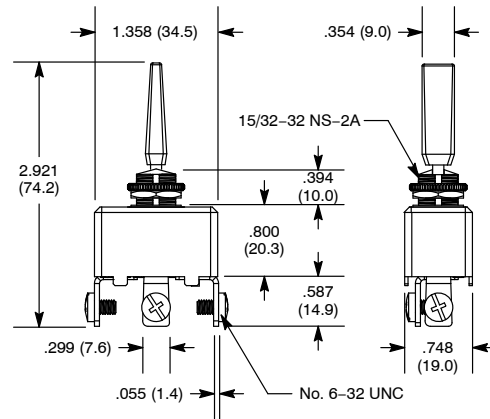
### Features

- 50 Amps at 12VDC
- Screw Terminals



| NTE Type No. | Circuitry | Action |     |    | Actuator      | Diag No. |
|--------------|-----------|--------|-----|----|---------------|----------|
| 54-565       | SPDT      | ON     | OFF | ON | Chrome Plated | S29      |

## S30



## Specifications

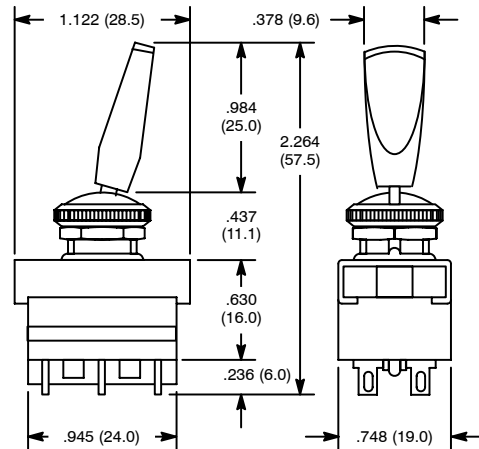
**Current Rating:** 50A 12VDC  
**Insulation Resistance:** 100 Megohms (min.) at 500VDC  
**Dielectric Strength:** 1500V RMS (min.)  
**Temperature Rating:** -4° to +180°F (-20° to +85°C)  
**Electrical Life:** 25,000 cycles  
**Mechanical Life:** 100,000 cycles  
**Terminal Type:** Screw Type  
**Mounting Hole:** .500 (12.7)

## Paddle Handle



| NTE Type No. | Circuitry | Action |     |    | Actuator        | Diag No. |
|--------------|-----------|--------|-----|----|-----------------|----------|
| 54-381       | DPDT      | ON     | OFF | ON | Black ABS Resin | S69      |

## S69



## Specifications

**Current Rating:** 6A 250VAC  
**Insulation Resistance:** 100 Megohms (min.) at 500VDC  
**Dielectric Strength:** 1500V RMS (min.)  
**Temperature Rating:** +14° to +131°F (-10° to +55°C)  
**Electrical Life:** 6,000 cycles  
**Mechanical Life:** 30,000 cycles  
**Terminal Type:** Solder Lug  
**Mounting Hole:** .472 (12.0)

# Toggle Switches

## Paddle Handle

### Features

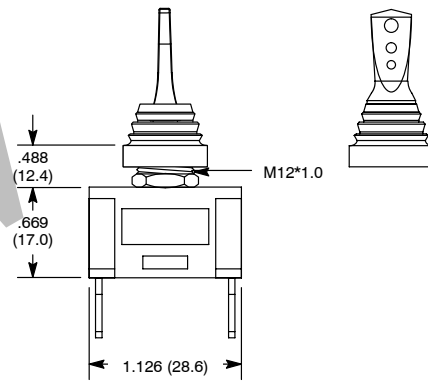
- Plastic Lever with Waterproof Boot



| NTE Type No. | Circuitry | Action |      |    | Actuator            | Diag No. |
|--------------|-----------|--------|------|----|---------------------|----------|
| 54-713       | SPST      | OFF    | NONE | ON | Nickel Plated Brass | S132a    |

### S132

a. Waterproof Boot



## Specifications

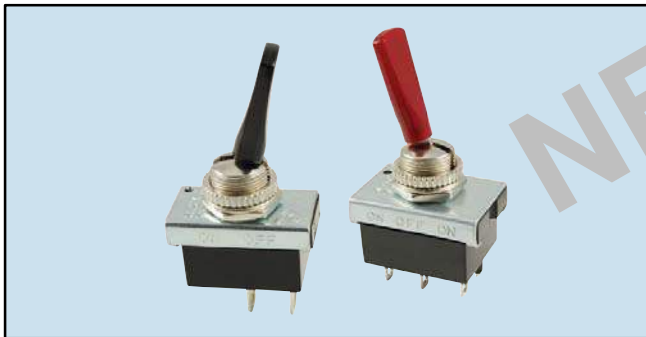
**Current Rating:** 10A 125VAC; 6A 250VAC  
**Insulation Resistance:** 100 Megohms (min.) at 500VDC  
**Dielectric Strength:** 1500V RMS (min.)  
**Temperature Rating:** -4° to +180°F (-20° to +85°C)  
**Electrical Life:** 6,000 cycles  
**Mechanical Life:** 10,000 cycles  
**Terminal Type:** .250" Tab Q.C.  
**Mounting Hole:** .480 (12.2)

## Paddle Handle



### Features

- Optional Indicator Plates Available:  
 54-925 Plate for 54-727  
 54-926 Plate for 54-728  
 54-927 Plate for 54-729 and 54-730

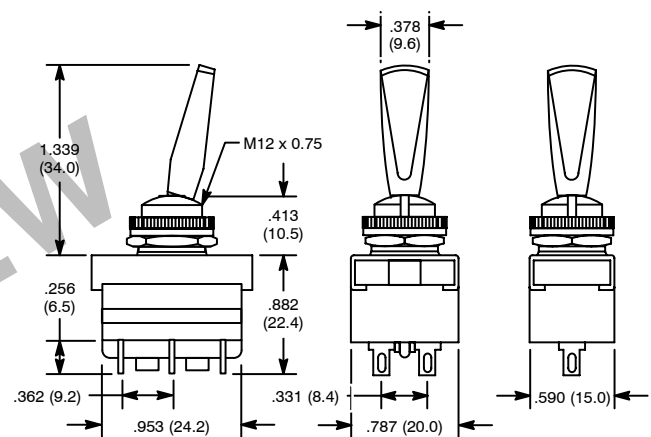


| NTE Type No. | Circuitry | Action |      |     | Actuator        | Diag No. |
|--------------|-----------|--------|------|-----|-----------------|----------|
| 54-727       | SPST      | ON     | NONE | OFF | Black ABS Resin | S133b    |
| 54-728       | DPDT      | ON     | NONE | ON  | Black ABS Resin | S133a    |
| 54-729       | DPDT      | ON     | OFF  | ON  | Red ABS Resin   | S133a    |
| 54-730       | SPDT      | ON     | OFF  | ON  | Black ABS Resin | S133b    |

### S133

a. DPDT

b. SPDT



## Specifications

**Current Rating:** 10A 125VAC; 6A 250VAC  
**Insulation Resistance:** 100 Megohms (min.) at 500VDC  
**Dielectric Strength:** 1000V RMS (min.)  
**Temperature Rating:** +32° to +149°F (0° to +65°C)  
**Electrical Life:** 6,000 cycles  
**Mechanical Life:** 10,000 cycles  
**Terminal Type:** Solder Lug  
**Mounting Hole:** .480 (12.2)



# Toggle Switches

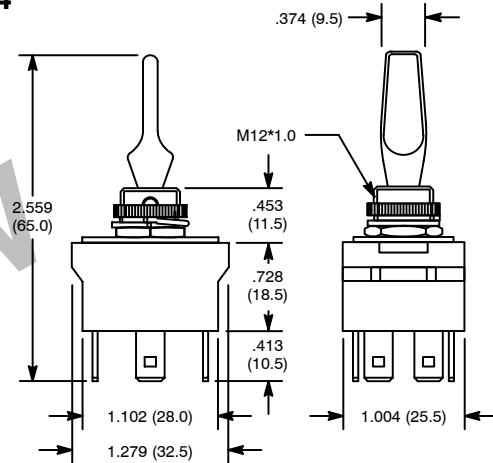
## Paddle Handle



| NTE Type No. | Circuitry | Action |     |      | Actuator        | Diag No. |
|--------------|-----------|--------|-----|------|-----------------|----------|
| 54-731       | DPDT      | (ON)   | OFF | (ON) | Black ABS Resin | S134     |
| 54-732       | DPDT      | ON     | OFF | ON   | Black ABS Resin | S134     |

SPECIAL NOTE: ( ) = Momentary Function

### S134



## Specifications

**Current Rating:** 20A 12VDC  
**Insulation Resistance:** 100 Megohms (min.) at 500VDC  
**Dielectric Strength:** 1500V RMS (min.)  
**Temperature Rating:** +32° to +149°F (0° to +65°C)  
**Electrical Life:** 6,000 cycles  
**Mechanical Life:** 10,000 cycles  
**Terminal Type:** .250" Tab Q.C.  
**Mounting Hole:** .480 (12.2)