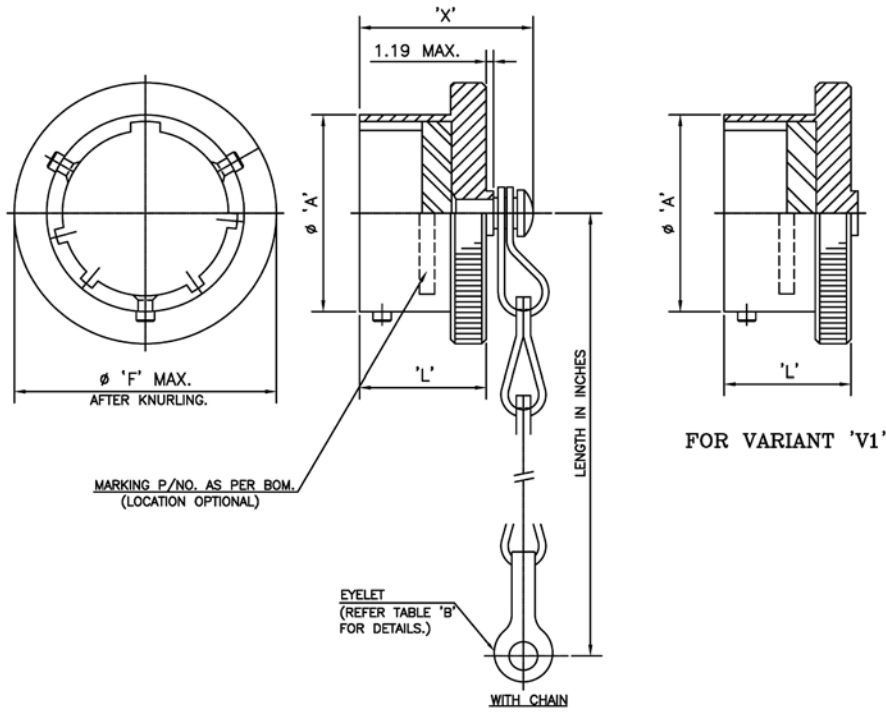


MIL-DTL-26482 PROTECTIVE CAPS MS3180

Dust Caps

MS3180	10	C	A	L
Designates Plug Dust Cover	Shell Size	Style	Class	Length
	08	C: W/ Chain R: W/O Chain	A: Hard Anodize Black K: Black Zinc Nickel L: Electroless Nickel Plate W: Cadmium Olive Drab	L: 127.0 + 12.7/-6.35 chain/rope in lieu of std. length (Omit for standard length "H")
	10			
	12			
	14			
	16			
	18			
	20			
	22			
24				



SHELL SIZE	A Ref. +0.03 -0.13	F Max. Overall	H +12.70 -6.35	L Max. Length	X Max. Overall	F +0.00/-0.08 For Heavy Duty
08	12.01	18.26	76.20	14.27	19.84	22.10
10	14.99	21.44				24.86
12	19.05	25.40	88.90			29.24
14	22.22	28.58				32.41
16	25.40	31.75				35.58
18	28.58	34.92				38.22
20	31.75	38.10	101.60	15.88	21.44	41.94
22	34.92	41.28		16.71	22.22	45.11
24	38.10	44.45		48.18		