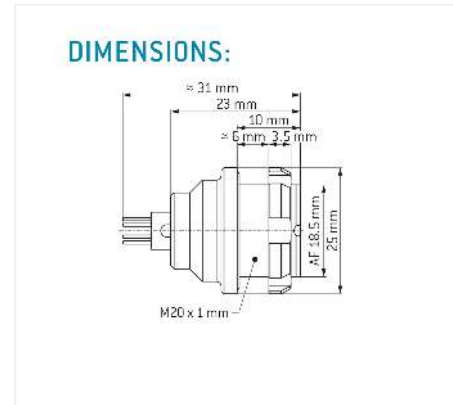
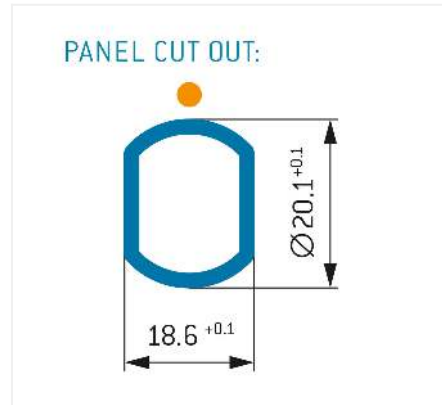
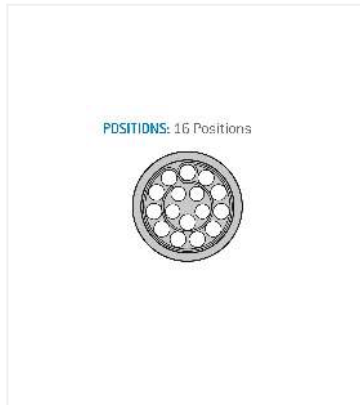


## General information

Part number	G32KFC-P160F00-0000
Termination	pcb
Size	2
Locking principle	break, push
Coding	f_key



## Contact insert description

Number of contacts	16
Contact type	sockets
Contact diameter	07mm
Insulator material	peek
Termination	pcb
Termination diameter	05mm

reverse\_gender\_on\_request

## Technical information

Max. creepage and air clearance distance	08_mm	09_mm
Nominal current single contact	06_a	iec_60512_5_2
Nominal current insert	3 A	vde_0298_4
Test voltage	11_kv_ac	sae_13441

safety\_text

## Mechanical and environmental data

Degree of protection*	ip68
Operating temperature	40_120_c
Mating cycles	5000

mated

## Material and surface treatments

Housing	m_chrome
Contact	cu_alloy_gold

safety\_text\_2  
ul\_text  
illustrative\_text