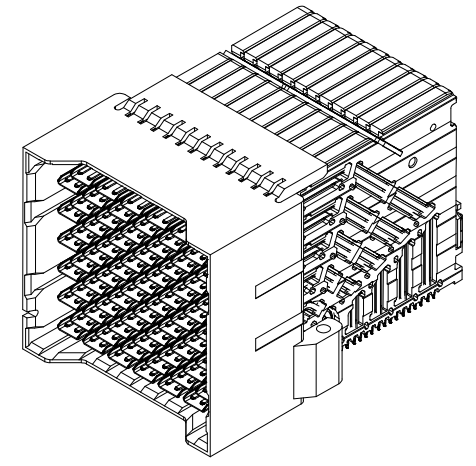
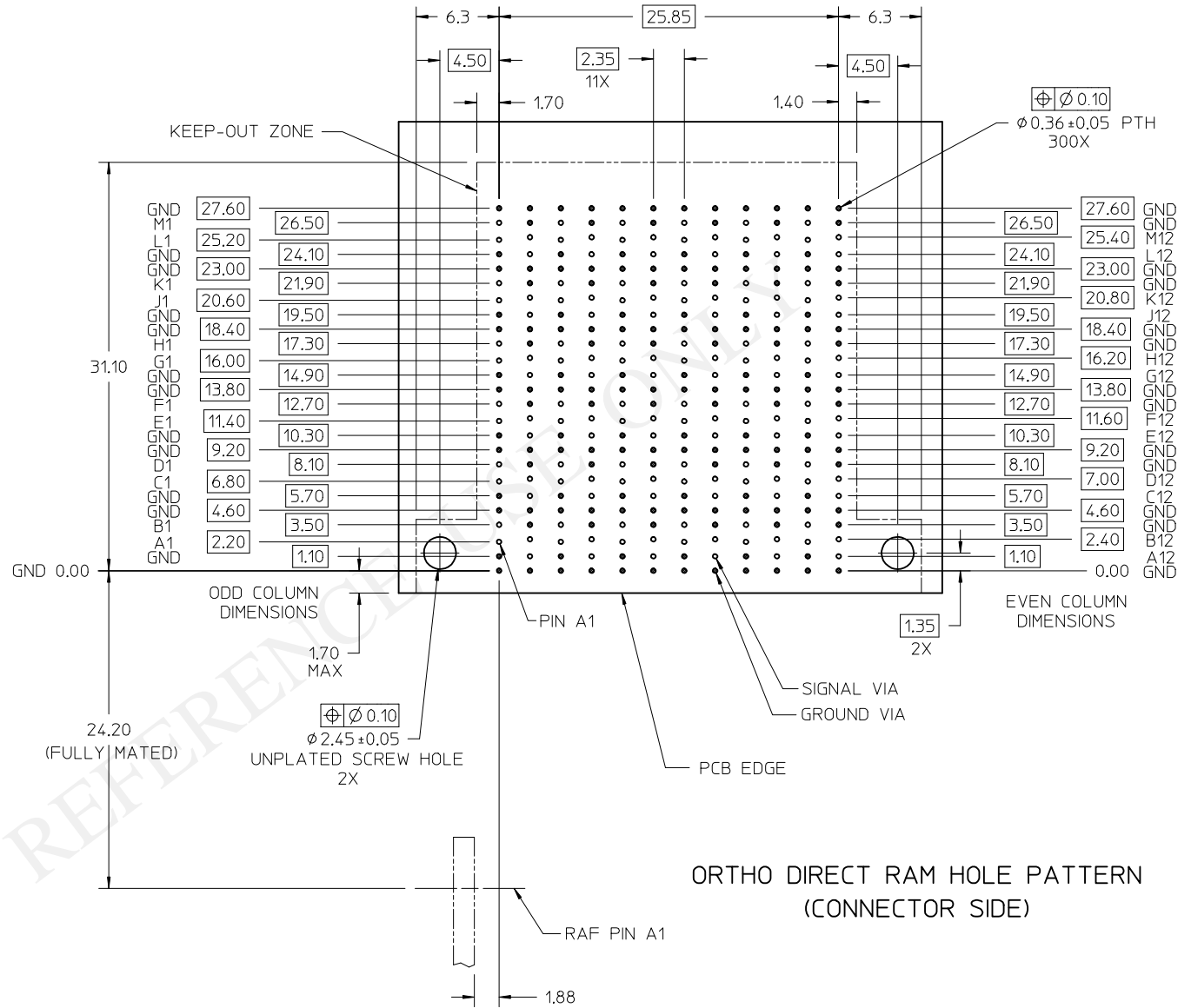
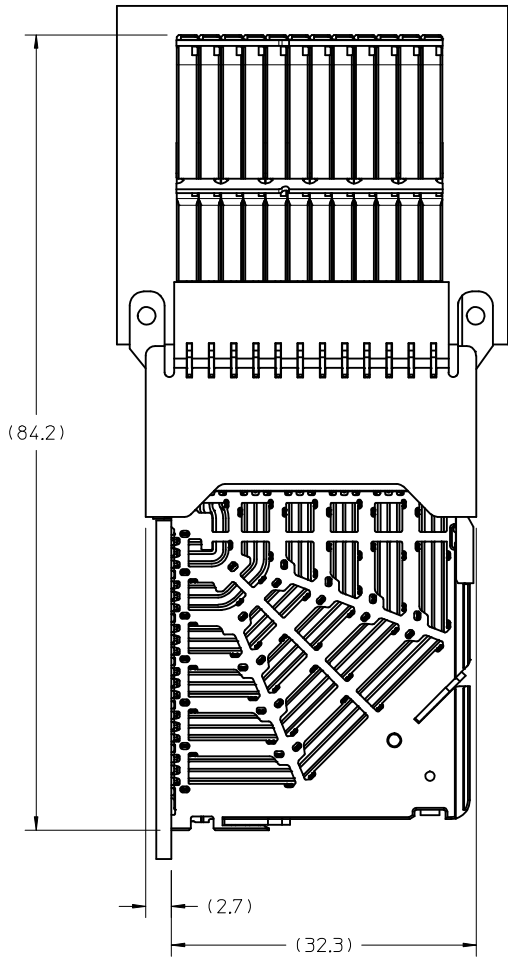


- NOTES:
1. MATERIALS: HOUSING - LIQUID CRYSTAL POLYMER (LCP)
GLASS-FILLED, UL94V-0
TERMINALS - HIGH PERFORMANCE COPPER ALLOY
 2. FINISH: 30µIN GOLD IN CONTACT AREA.
SELECTIVE TIN ON PCB TAILS.
NICKEL OVERALL.
 3. REFER TO MOLEX PRODUCT SPECIFICATION PS-171320-999 FOR PERFORMANCE SPECIFICATIONS.
 4. THIS PART CONFORMS TO CLASS B REQUIREMENTS OF COSMETIC SPEC PS-45499-002.
 5. PRODUCT WILL BE PACKAGED PER PK-78888-309.
 6. SEE SHEETS 2 AND 3 FOR PCB LAYOUT AND ORTHOGONAL PIN MAPPING.
 7. MATES WITH IMPEL ORTHO DAUGHTERCARD SERIES NUMBER 171500 (UNGUIDED).
 8. REFER TO IMPEL PCB ROUTING GUIDE AS-171500-990 FOR ANTIPAD, ROUTING RECOMMENDATIONS, AND ADDITIONAL PCB INFORMATION.
 9. CONNECTORS ARE SUPPLIED WITH TWO 2-32 THREAD FORMING SCREWS.



REVISED HOUSING EC NO: UCP2014-2934 DRWN: JLAURX 2014/01/16 CHKD: JLAURX APPR: JLAURX 2014/01/16	QUALITY SYMBOLS	GENERAL TOLERANCES (UNLESS SPECIFIED)	DIMENSION STYLE	SCALE	DESIGN UNITS	THIRD ANGLE PROJECTION
	▽ = 0	mm INCH	MM ONLY	3:1	METRIC	
	▽ = 0	4 PLACES ± --- ± ---	DRAWN BY DATE	TITLE		
	▽ = 0	3 PLACES ± --- ± ---	JLAURX 2012/12/06	IMPEL ORTHOGONAL DIRECT 6 PAIR X 12 COLUMN RAM UNGUIDED SALES DRAWING		
	2 PLACES ± 0.13 ± ---	1 PLACE ± 0.25 ± ---	CHECKED BY DATE	DOCUMENT NO.		
	0 PLACE ± --- ± ---	ANGULAR ± 1/2°	APPROVED BY DATE	SHEET NO.		
		DRAFT WHERE APPLICABLE MUST REMAIN WITHIN DIMENSIONS	JLAURX 2013/01/02	SD-171740-0001		
			MATERIAL NO.	THIS DRAWING CONTAINS INFORMATION THAT IS PROPRIETARY TO MOLEX INCORPORATED AND SHOULD NOT BE USED WITHOUT WRITTEN PERMISSION		
			SEE CHART	1 OF 3		



MATED DIMENSIONS

ORTHO DIRECT RAM HOLE PATTERN
(CONNECTOR SIDE)

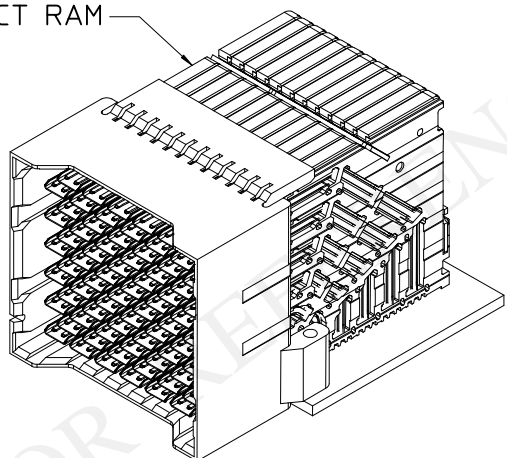
SEE SHEET 1 EC NO: UCP2014-2934 DRWN: JLAURX 2014/01/16 CHKD: APPR: JLAURX 2014/01/16 REV:	QUALITY SYMBOLS	GENERAL TOLERANCES (UNLESS SPECIFIED)	DIMENSION STYLE	SCALE	DESIGN UNITS	THIRD ANGLE PROJECTION
	▽ = 0	mm INCH	MM ONLY	4:1	METRIC	
	▽ = 0	4 PLACES ± --- ± ---	DRAWN BY DATE	TITLE		
	▽ = 0	3 PLACES ± --- ± ---	JLAURX 2012/12/06	IMPEL ORTHOGONAL DIRECT 6 PAIR X 12 COLUMN RAM UNGUIDED SALES DRAWING		
	2 PLACES ± 0.13 ± ---	CHECKED BY DATE	molex DOCUMENT NO. SD-171740-0001 SHEET NO. 2 OF 3			
	1 PLACE ± 0.25 ± ---	APPROVED BY DATE				
	0 PLACE ± --- ± ---	JLAURX 2013/01/02	MATERIAL NO. SEE CHART			
	ANGULAR ± 1/2°	DRAFT WHERE APPLICABLE MUST REMAIN WITHIN DIMENSIONS				
		THIS DRAWING CONTAINS INFORMATION THAT IS PROPRIETARY TO MOLEX INCORPORATED AND SHOULD NOT BE USED WITHOUT WRITTEN PERMISSION				

ORTHO PIN MAPPING

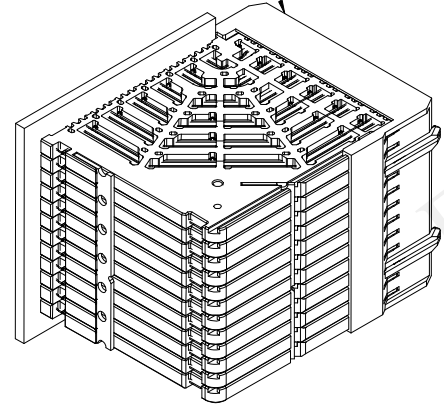
(RAF - OD RAM)

M1-A11	M2-B12	M3-C11	M4-D12	M5-E11	M6-F12	M7-G11	M8-H12	M9-J11	M10-K12	M11-L11	M12-M12
L1-B11	L2-A12	L3-D11	L4-C12	L5-F11	L6-E12	L7-H11	L8-G12	L9-K11	L10-J12	L11-M11	L12-L12
K1-A9	K2-B10	K3-C9	K4-D10	K5-E9	K6-F10	K7-G9	K8-H10	K9-J9	K10-K10	K11-L9	K12-M10
J1-B9	J2-A10	J3-D9	J4-C10	J5-F9	J6-E10	J7-H9	J8-G10	J9-K9	J10-J10	J11-M9	J12-L10
H1-A7	H2-B8	H3-C7	H4-D8	H5-E7	H6-F8	H7-G7	H8-H8	H9-J7	H10-K8	H11-L7	H12-M8
G1-B7	G2-A8	G3-D7	G4-C8	G5-F7	G6-E8	G7-H7	G8-G8	G9-K7	G10-J8	G11-M7	G12-L8
F1-A5	F2-B6	F3-C5	F4-D6	F5-E5	F6-F6	F7-G5	F8-H6	F9-J5	F10-K6	F11-L5	F12-M6
E1-B5	E2-A6	E3-D5	E4-C6	E5-F5	E6-E6	E7-H5	E8-G6	E9-K5	E10-J6	E11-M5	E12-L6
D1-A3	D2-B4	D3-C3	D4-D4	D5-E3	D6-F4	D7-G3	D8-H4	D9-J3	D10-K4	D11-L3	D12-M4
C1-B3	C2-A4	C3-D3	C4-C4	C5-F3	C6-E4	C7-H3	C8-G4	C9-K3	C10-J4	C11-M3	C12-L4
B1-A1	B2-B2	B3-C1	B4-D2	B5-E1	B6-F2	B7-G1	B8-H2	B9-J1	B10-K2	B11-L1	B12-M2
A1-B1	A2-A2	A3-D1	A4-C2	A5-F1	A6-E2	A7-H1	A8-G2	A9-K1	A10-J2	A11-M1	A12-L2

ORTHO DIRECT RAM



ORTHO RAF



MATERIAL NUMBER	NUMBER OF COLUMNS	NUMBER OF DIFF PAIR	DIM "P"
171740-1207	12	72	4.90
171740-1208	12	72	5.50

171740-120*

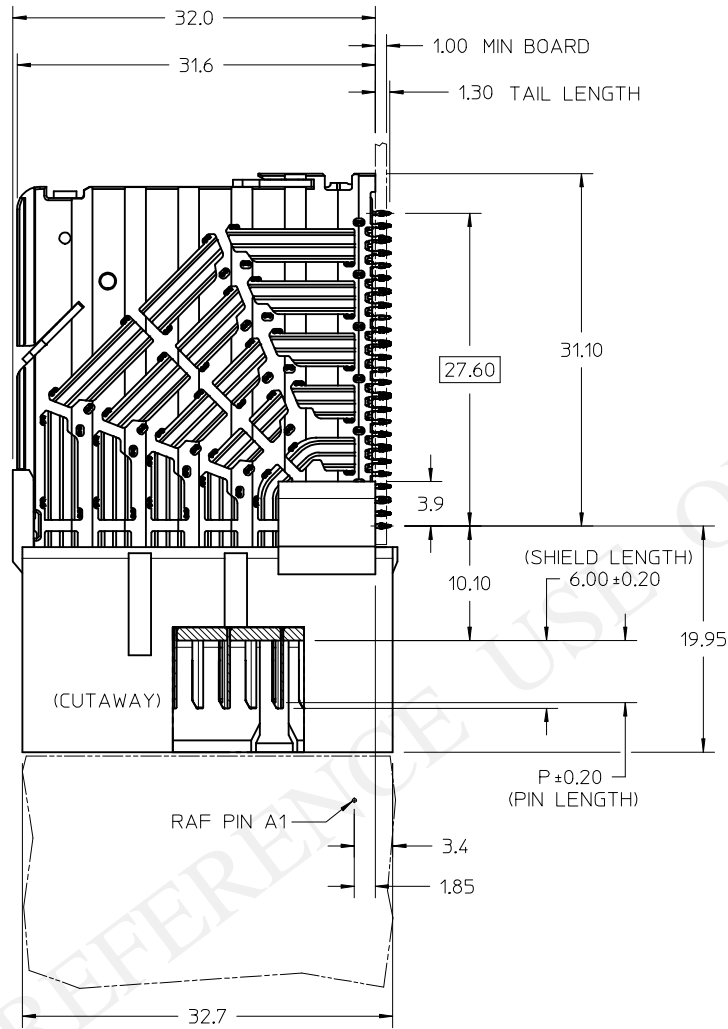
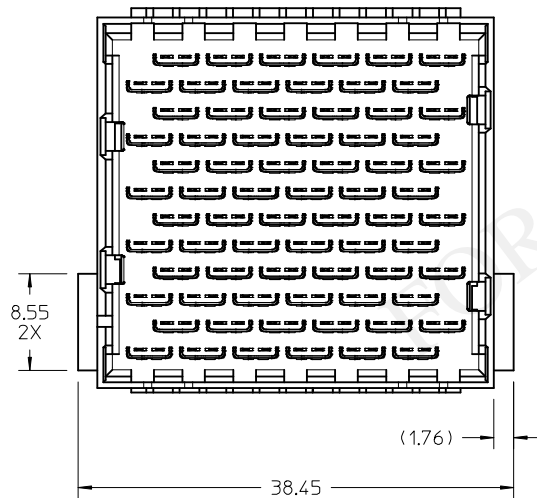
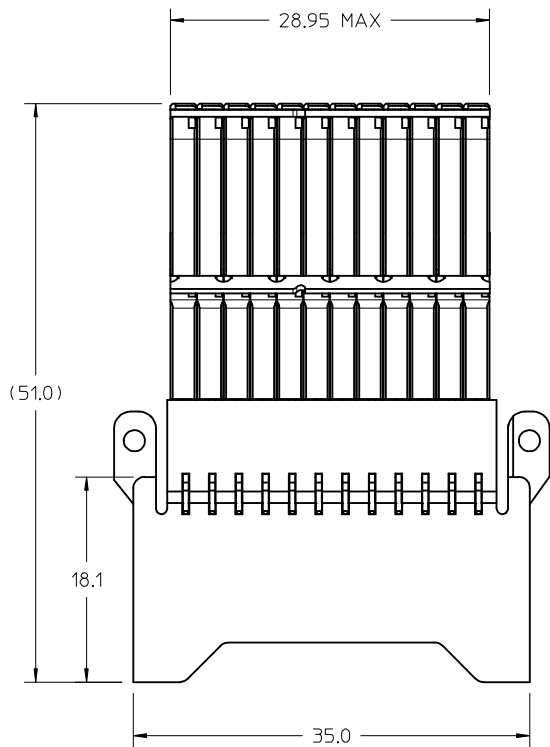
MODULE TYPE
1 = UNGUIDED

COLUMN SIZE
2 = 12 COLUMN

PIN LENGTH (P)
7 = 4.90
8 = 5.50

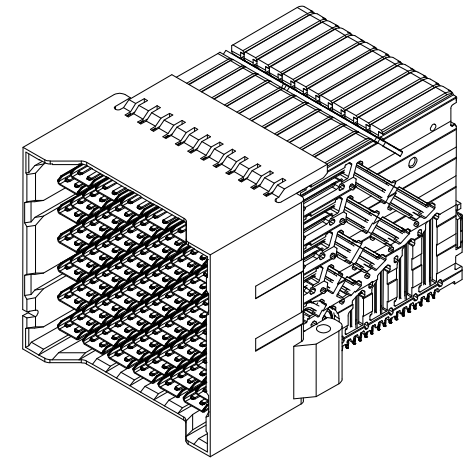
CONNECTORS ARE DESIGNED TO MATE IN THE ORIENTATION AS SHOWN.
(THIS IS CONSISTENT WITH THE 270° ORIENTATION OF THE ORTHO MIDPLANE SYSTEM, BUT THE ORTHOGONAL PINMAP IS DIFFERENT.)

SEE SHEET 1 EC NO: UCP2014-2934 DRWN: JLAURX 2014/01/16 CHKD: APPR: JLAURX 2014/01/16 REY:	QUALITY SYMBOLS	GENERAL TOLERANCES (UNLESS SPECIFIED)	DIMENSION STYLE MM ONLY	SCALE 2:1	DESIGN UNITS METRIC	THIRD ANGLE PROJECTION
	▽ = 0	mm INCH	DRAWN BY JLAURX	DATE 2012/12/06	TITLE IMPEL ORTHOGONAL DIRECT 6 PAIR X 12 COLUMN RAM UNGUIDED SALES DRAWING	
	▽ = 0	4 PLACES ± --- ± ---	CHECKED BY	DATE	APPROVED BY JLAURX	
	▽ = 0	3 PLACES ± --- ± ---	DATE 2013/01/02		DOCUMENT NO. SD-171740-0001	
	2 PLACES ± 0.13 ± ---	ANGULAR ±1/2°		SHEET NO. 3 OF 3		
	1 PLACE ± 0.25 ± ---	DRAFT WHERE APPLICABLE MUST REMAIN WITHIN DIMENSIONS		THIS DRAWING CONTAINS INFORMATION THAT IS PROPRIETARY TO MOLEX. INCORPORATED AND SHOULD NOT BE USED WITHOUT WRITTEN PERMISSION		
	0 PLACE ± --- ± ---	SIZE C				

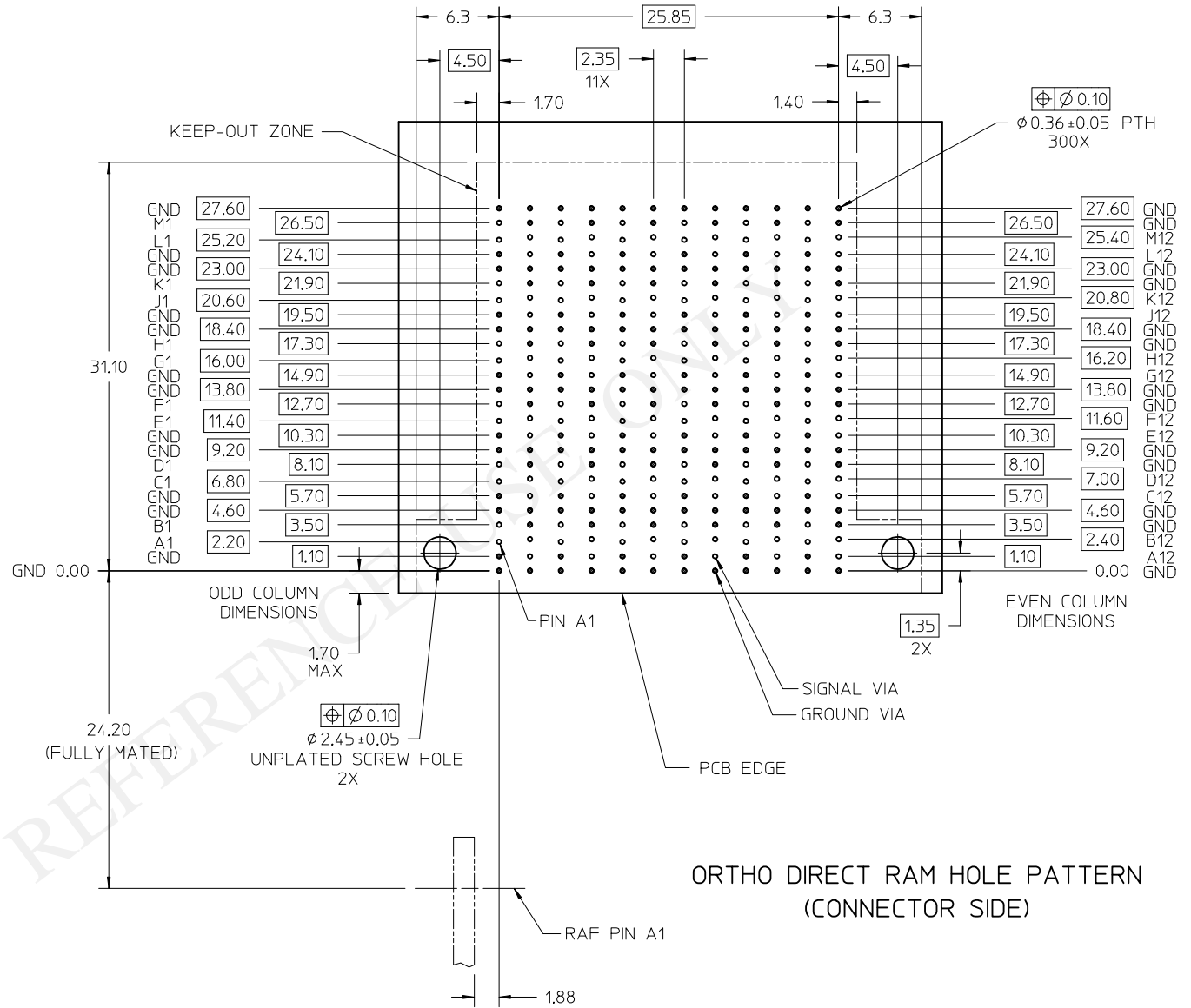
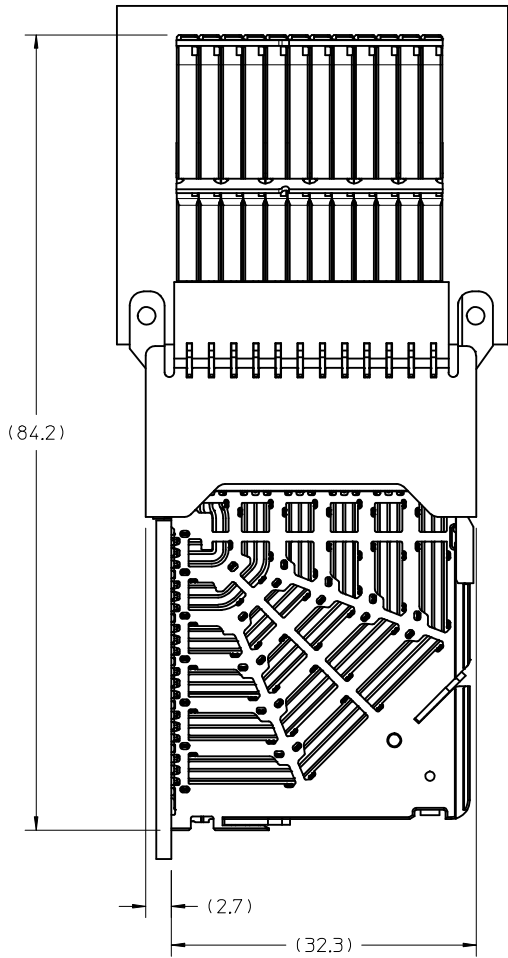


NOTES:

1. MATERIALS: HOUSING - LIQUID CRYSTAL POLYMER (LCP)
GLASS-FILLED, UL94V-0
TERMINALS - HIGH PERFORMANCE COPPER ALLOY
2. FINISH: 30µIN GOLD IN CONTACT AREA.
SELECTIVE TIN ON PCB TAILS.
NICKEL OVERALL.
3. REFER TO MOLEX PRODUCT SPECIFICATION PS-171320-999 FOR PERFORMANCE SPECIFICATIONS.
4. THIS PART CONFORMS TO CLASS B REQUIREMENTS OF COSMETIC SPEC PS-45499-002.
5. PRODUCT WILL BE PACKAGED PER PK-78888-309.
6. SEE SHEETS 2 AND 3 FOR PCB LAYOUT AND ORTHOGONAL PIN MAPPING.
7. MATES WITH IMPEL ORTHO DAUGHTERCARD SERIES NUMBER 171500 (UNGUIDED).
8. REFER TO IMPEL PCB ROUTING GUIDE AS-171500-990 FOR ANTIPAD, ROUTING RECOMMENDATIONS, AND ADDITIONAL PCB INFORMATION.
9. CONNECTORS ARE SUPPLIED WITH TWO 2-32 THREAD FORMING SCREWS.



PROPOSED EC NO: UCP2016-2719 DRWN:DWLEE01 2016/01/11 CHKD: APPR:DWLEE01 2016/01/11 REV:	QUALITY SYMBOLS	GENERAL TOLERANCES (UNLESS SPECIFIED)	DIMENSION STYLE	SCALE	DESIGN UNITS	THIRD ANGLE PROJECTION
	▽ = 0	mm INCH	MM ONLY	3:1	METRIC	
	▽ = 0	4 PLACES ± --- ± ---	DRAWN BY DATE	TITLE		
	▽ = 0	3 PLACES ± --- ± ---	DWLEE01 2016/01/11	IMPEL ORTHOGONAL DIRECT		
		2 PLACES ± 0.13 ± ---	CHECKED BY DATE	6 PAIR X 12 COLUMN RAM		
		1 PLACE ± 0.25 ± ---	APPROVED BY DATE	UNGUIDED SALES DRAWING		
		0 PLACE ± --- ± ---	DWLEE01 2016/01/11	molex		
		ANGULAR ±1/2°	MATERIAL NO.	DOCUMENT NO.	SHEET NO.	
		DRAFT WHERE APPLICABLE MUST REMAIN WITHIN DIMENSIONS	SEE CHART	SD-171740-9003	1 OF 3	
			SIZE C	THIS DRAWING CONTAINS INFORMATION THAT IS PROPRIETARY TO MOLEX INCORPORATED AND SHOULD NOT BE USED WITHOUT WRITTEN PERMISSION		



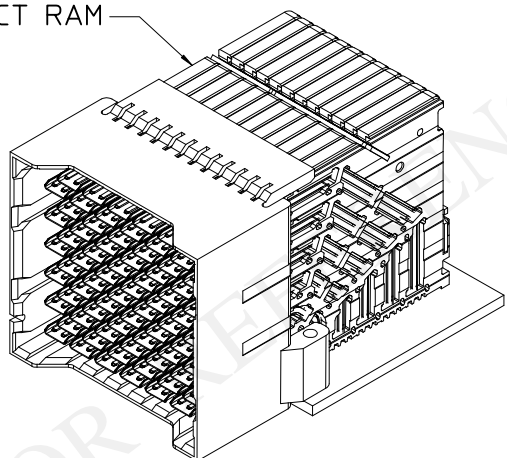
SEE SHEET 1 EC NO: UCP2016-2719 DRWING: DWLEE01 2016/01/11 CHKD: APPR: DWLEE01 2016/01/11 REV:	QUALITY SYMBOLS	GENERAL TOLERANCES (UNLESS SPECIFIED)	DIMENSION STYLE	SCALE	DESIGN UNITS	THIRD ANGLE PROJECTION
	▽ = 0	mm INCH	MM ONLY	4:1	METRIC	
	▽ = 0	4 PLACES ± --- ± ---	DRAWN BY DATE			TITLE
	▽ = 0	3 PLACES ± --- ± ---	DWLEE01 2016/01/11			IMPEL ORTHOGONAL DIRECT 6 PAIR X 12 COLUMN RAM UNGUIDED SALES DRAWING
	2 PLACES ± 0.13 ± ---	CHECKED BY DATE				molex DOCUMENT NO. SD-171740-9003 SHEET NO. 2 OF 3
	1 PLACE ± 0.25 ± ---	APPROVED BY DATE				
	0 PLACE ± --- ± ---	DWLEE01 2016/01/11				
		ANGULAR ± 1/2°				
		DRAFT WHERE APPLICABLE MUST REMAIN WITHIN DIMENSIONS	SEE CHART			
			SIZE C	THIS DRAWING CONTAINS INFORMATION THAT IS PROPRIETARY TO MOLEX INCORPORATED AND SHOULD NOT BE USED WITHOUT WRITTEN PERMISSION		

ORTHO PIN MAPPING

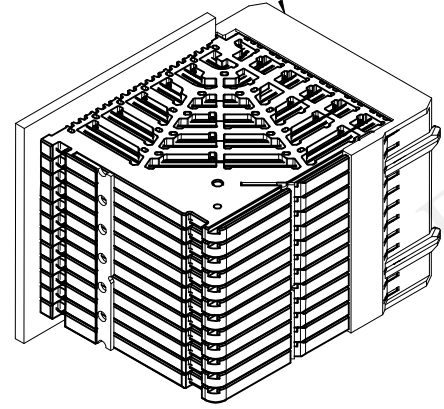
(RAF - OD RAM)

M1-A11	M2-B12	M3-C11	M4-D12	M5-E11	M6-F12	M7-G11	M8-H12	M9-J11	M10-K12	M11-L11	M12-M12
L1-B11	L2-A12	L3-D11	L4-C12	L5-F11	L6-E12	L7-H11	L8-G12	L9-K11	L10-J12	L11-M11	L12-L12
K1-A9	K2-B10	K3-C9	K4-D10	K5-E9	K6-F10	K7-G9	K8-H10	K9-J9	K10-K10	K11-L9	K12-M10
J1-B9	J2-A10	J3-D9	J4-C10	J5-F9	J6-E10	J7-H9	J8-G10	J9-K9	J10-J10	J11-M9	J12-L10
H1-A7	H2-B8	H3-C7	H4-D8	H5-E7	H6-F8	H7-G7	H8-H8	H9-J7	H10-K8	H11-L7	H12-M8
G1-B7	G2-A8	G3-D7	G4-C8	G5-F7	G6-E8	G7-H7	G8-G8	G9-K7	G10-J8	G11-M7	G12-L8
F1-A5	F2-B6	F3-C5	F4-D6	F5-E5	F6-F6	F7-G5	F8-H6	F9-J5	F10-K6	F11-L5	F12-M6
E1-B5	E2-A6	E3-D5	E4-C6	E5-F5	E6-E6	E7-H5	E8-G6	E9-K5	E10-J6	E11-M5	E12-L6
D1-A3	D2-B4	D3-C3	D4-D4	D5-E3	D6-F4	D7-G3	D8-H4	D9-J3	D10-K4	D11-L3	D12-M4
C1-B3	C2-A4	C3-D3	C4-C4	C5-F3	C6-E4	C7-H3	C8-G4	C9-K3	C10-J4	C11-M3	C12-L4
B1-A1	B2-B2	B3-C1	B4-D2	B5-E1	B6-F2	B7-G1	B8-H2	B9-J1	B10-K2	B11-L1	B12-M2
A1-B1	A2-A2	A3-D1	A4-C2	A5-F1	A6-E2	A7-H1	A8-G2	A9-K1	A10-J2	A11-M1	A12-L2

ORTHO DIRECT RAM



ORTHO RAF



CONNECTORS ARE DESIGNED TO MATE IN THE ORIENTATION AS SHOWN.
(THIS IS CONSISTENT WITH THE 270° ORIENTATION OF THE ORTHO MIDPLANE SYSTEM, BUT THE ORTHOGONAL PINMAP IS DIFFERENT.)

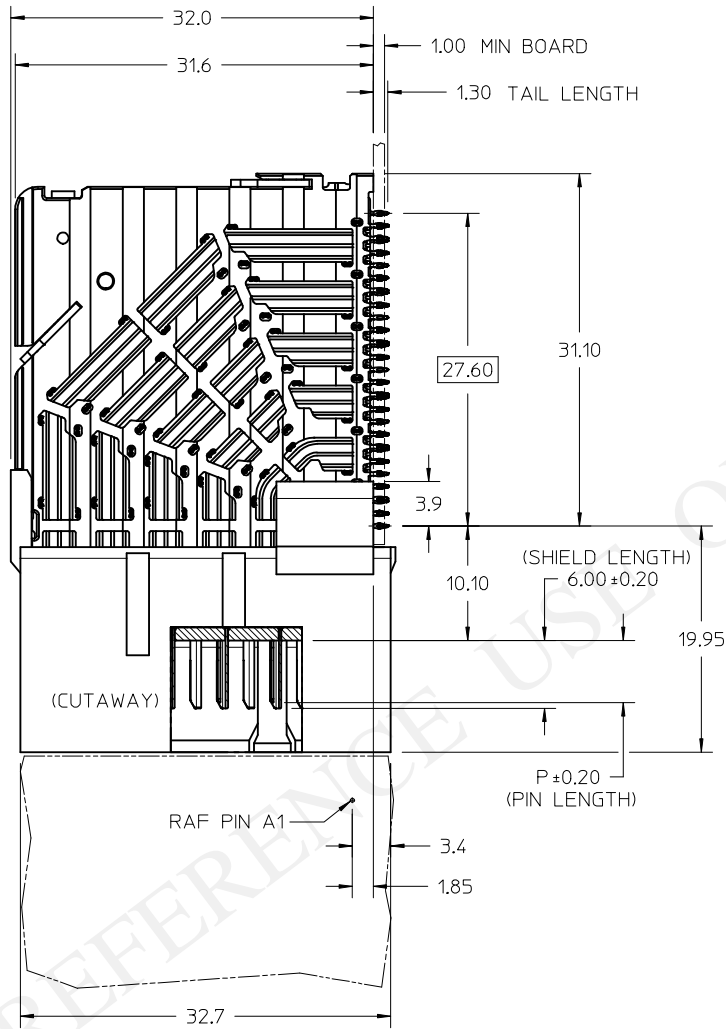
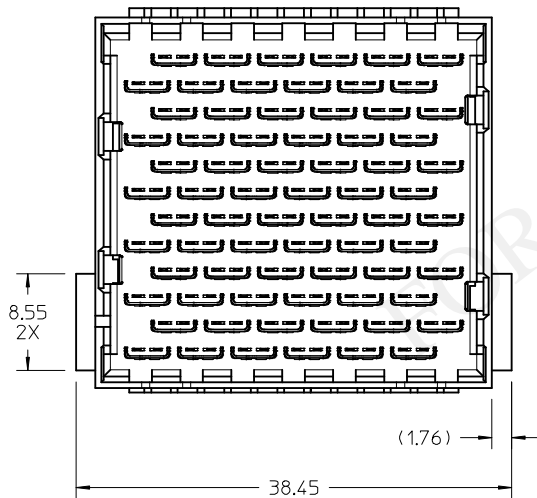
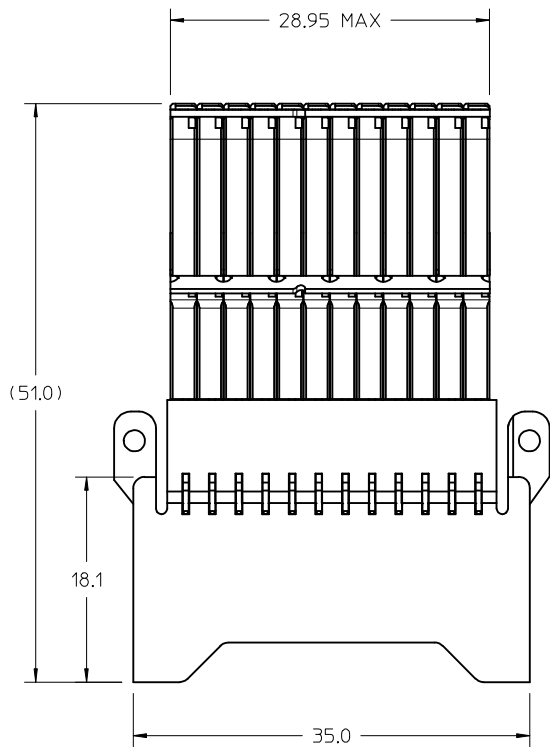
MATERIAL NUMBER	NUMBER OF COLUMNS	NUMBER OF DIFF PAIR	DIM "P"
171740-9207	12	72	4.90
171740-9208	12	72	5.50

171740-920*

COLUMN SIZE
2 = 12 COLUMN

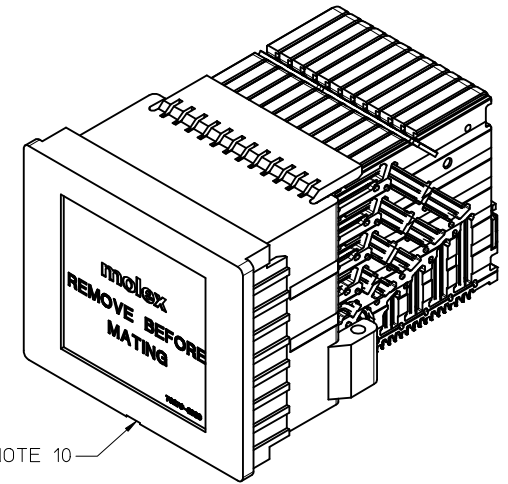
PIN LENGTH (P)
7 = 4.90
8 = 5.50

SEE SHEET 1 EC NO: UCP2016-2719 DRW:DWLEE01 2016/01/11 CHKD: APPR:DWLEE01 2016/01/11 REY:	QUALITY SYMBOLS	GENERAL TOLERANCES (UNLESS SPECIFIED)	DIMENSION STYLE MM ONLY	SCALE 2:1	DESIGN UNITS METRIC	THIRD ANGLE PROJECTION
	▽ = 0	mm INCH	DRAWN BY DATE DWLEE01 2016/01/11	TITLE IMPEL ORTHOGONAL DIRECT 6 PAIR X 12 COLUMN RAM UNGUIDED SALES DRAWING		
	▽ = 0	4 PLACES ± --- ± ---	CHECKED BY DATE	APPROVED BY DATE DWLEE01 2016/01/11		
	▽ = 0	3 PLACES ± --- ± ---	2 PLACES ± 0.13 ± ---	MATERIAL NO. SEE CHART DOCUMENT NO. SD-171740-9003 SHEET NO. 3 OF 3		
	2 PLACES ± 0.25 ± ---	1 PLACE ± --- ± ---	DRAFT WHERE APPLICABLE MUST REMAIN WITHIN DIMENSIONS THIS DRAWING CONTAINS INFORMATION THAT IS PROPRIETARY TO MOLEX. INCORPORATED AND SHOULD NOT BE USED WITHOUT WRITTEN PERMISSION			
	0 PLACE ± --- ± ---	ANGULAR ±1/2°				



NOTES:

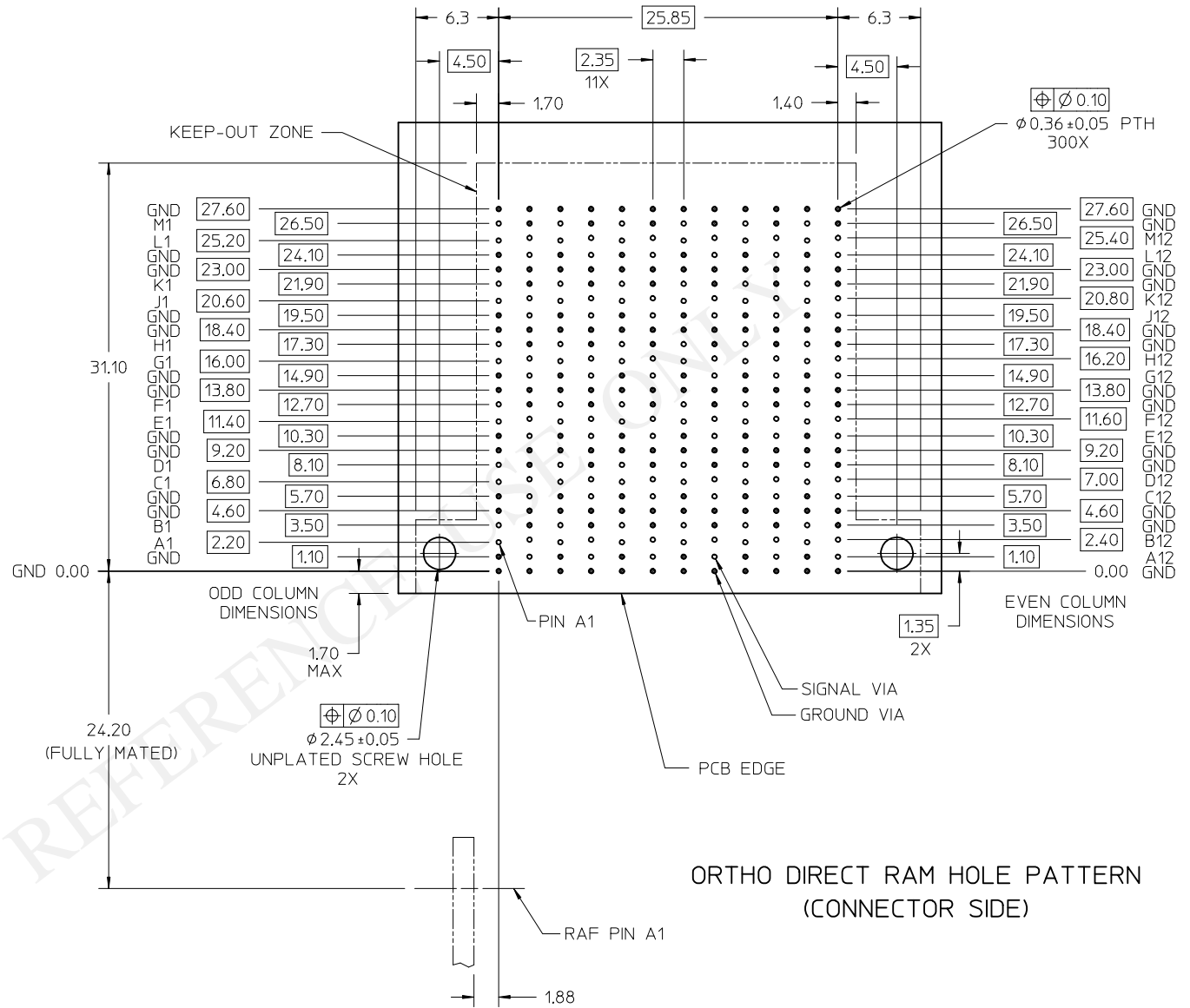
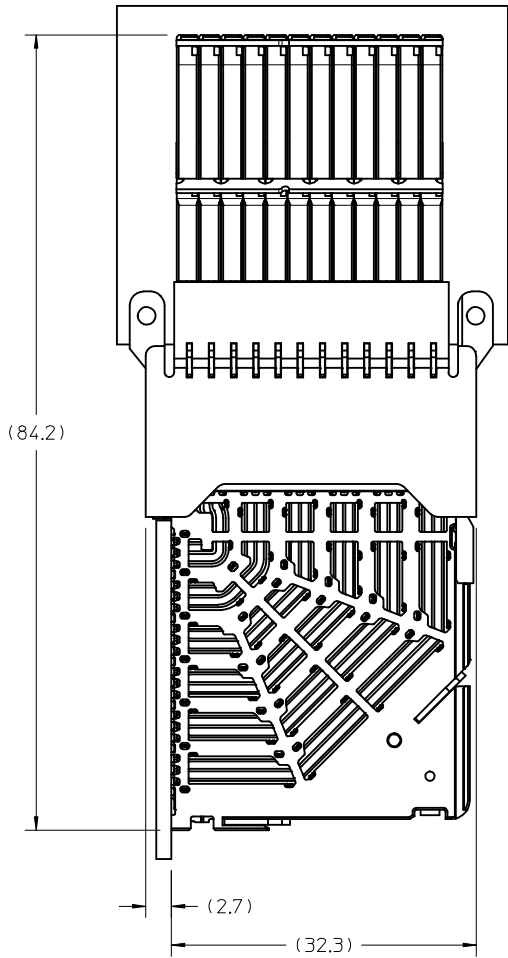
1. MATERIALS: HOUSING - LIQUID CRYSTAL POLYMER (LCP)
GLASS-FILLED, UL94V-0
TERMINALS - HIGH PERFORMANCE COPPER ALLOY
2. FINISH: 30µIN GOLD IN CONTACT AREA.
SELECTIVE TIN ON PCB TAILS.
NICKEL OVERALL.
3. REFER TO MOLEX PRODUCT SPECIFICATION PS-171320-999 FOR PERFORMANCE SPECIFICATIONS.
4. THIS PART CONFORMS TO CLASS B REQUIREMENTS OF COSMETIC SPEC PS-45499-002.
5. PRODUCT WILL BE PACKAGED PER PK-78888-309.
6. SEE SHEETS 2 AND 3 FOR PCB LAYOUT AND ORTHOGONAL PIN MAPPING.
7. MATES WITH IMPEL ORTHO DAUGHTERCARD SERIES NUMBER 171500 (UNGUIDED).
8. REFER TO IMPEL PCB ROUTING GUIDE AS-171500-990 FOR ANTIPAD, ROUTING RECOMMENDATIONS, AND ADDITIONAL PCB INFORMATION.
9. CONNECTORS ARE SUPPLIED WITH TWO 2-32 THREAD FORMING SCREWS.
10. PLEASE REMOVE DUST COVER BEFORE MATING.



SEE NOTE 10

IMPEL 6P OD-RAM
WITH DUST COVER

PROPOSED EC NO: UCP2016-3500 DRWING: DWLEE01 2016/03/04 CHKD: APPR: DWLEE01 2016/03/08 REV:	QUALITY SYMBOLS	GENERAL TOLERANCES (UNLESS SPECIFIED)	DIMENSION STYLE	SCALE	DESIGN UNITS	THIRD ANGLE PROJECTION
	▽ = 0	mm INCH	MM ONLY	3:1	METRIC	
	▽ = 0	4 PLACES ± --- ± ---	DRAWN BY DATE	TITLE		
	▽ = 0	3 PLACES ± --- ± ---	DWLEE01 2016/03/04	IMPEL ORTHOGONAL DIRECT 6 PAIR X 12 COLUMN RAM UNGUIDED SALES DRAWING		
	2 PLACES ± 0.13 ± ---	CHECKED BY DATE	APPROVED BY DATE			
	1 PLACE ± 0.25 ± ---	DWLEE01 2016/03/08	MATERIAL NO.			
	0 PLACE ± --- ± ---		DOCUMENT NO.			
	ANGULAR ±1/2°		SEE CHART			
	DRAFT WHERE APPLICABLE MUST REMAIN WITHIN DIMENSIONS		SD-171740-9004			
			THIS DRAWING CONTAINS INFORMATION THAT IS PROPRIETARY TO MOLEX INCORPORATED AND SHOULD NOT BE USED WITHOUT WRITTEN PERMISSION			



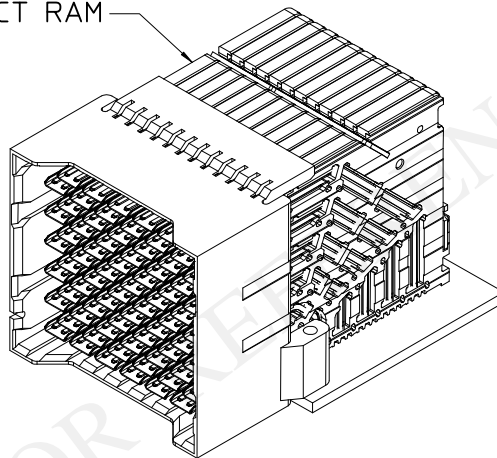
SEE SHEET 1 EC NO: UCP2016-3500 DRWING: DWLEE01 2016/03/04 CHKD: APPR: DWLEE01 2016/03/08 REV: 1	QUALITY SYMBOLS ▽ = 0 ▽ = 0 ▽ = 0	GENERAL TOLERANCES (UNLESS SPECIFIED) <table border="1"> <tr> <th></th> <th>mm</th> <th>INCH</th> </tr> <tr> <td>4 PLACES</td> <td>± 0.10</td> <td>± 0.004</td> </tr> <tr> <td>3 PLACES</td> <td>± 0.15</td> <td>± 0.006</td> </tr> <tr> <td>2 PLACES</td> <td>± 0.25</td> <td>± 0.010</td> </tr> <tr> <td>1 PLACE</td> <td>± 0.50</td> <td>± 0.020</td> </tr> <tr> <td>0 PLACE</td> <td>± 1.00</td> <td>± 0.040</td> </tr> </table>		mm	INCH	4 PLACES	± 0.10	± 0.004	3 PLACES	± 0.15	± 0.006	2 PLACES	± 0.25	± 0.010	1 PLACE	± 0.50	± 0.020	0 PLACE	± 1.00	± 0.040	DIMENSION STYLE MM ONLY DRAWN BY: DWLEE01 DATE: 2016/03/04 CHECKED BY: DATE:	SCALE: 4:1 DESIGN UNITS: METRIC THIRD ANGLE PROJECTION
		mm	INCH																			
	4 PLACES	± 0.10	± 0.004																			
	3 PLACES	± 0.15	± 0.006																			
2 PLACES	± 0.25	± 0.010																				
1 PLACE	± 0.50	± 0.020																				
0 PLACE	± 1.00	± 0.040																				
DRAFT WHERE APPLICABLE MUST REMAIN WITHIN DIMENSIONS	ANGULAR ±1/2° SEE CHART	APPROVED BY: DWLEE01 DATE: 2016/03/08	TITLE: IMPEL ORTHOGONAL DIRECT 6 PAIR X 12 COLUMN RAM UNGUIDED SALES DRAWING molex DOCUMENT NO. SD-171740-9004 SHEET NO. 2 OF 3																			
THIS DRAWING CONTAINS INFORMATION THAT IS PROPRIETARY TO MOLEX INCORPORATED AND SHOULD NOT BE USED WITHOUT WRITTEN PERMISSION																						

ORTHO PIN MAPPING

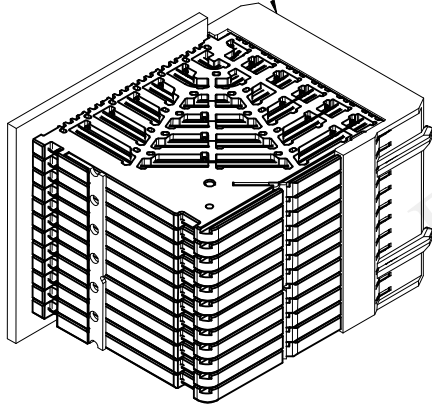
(RAF - OD RAM)

M1-A11	M2-B12	M3-C11	M4-D12	M5-E11	M6-F12	M7-G11	M8-H12	M9-J11	M10-K12	M11-L11	M12-M12
L1-B11	L2-A12	L3-D11	L4-C12	L5-F11	L6-E12	L7-H11	L8-G12	L9-K11	L10-J12	L11-M11	L12-L12
K1-A9	K2-B10	K3-C9	K4-D10	K5-E9	K6-F10	K7-G9	K8-H10	K9-J9	K10-K10	K11-L9	K12-M10
J1-B9	J2-A10	J3-D9	J4-C10	J5-F9	J6-E10	J7-H9	J8-G10	J9-K9	J10-J10	J11-M9	J12-L10
H1-A7	H2-B8	H3-C7	H4-D8	H5-E7	H6-F8	H7-G7	H8-H8	H9-J7	H10-K8	H11-L7	H12-M8
G1-B7	G2-A8	G3-D7	G4-C8	G5-F7	G6-E8	G7-H7	G8-G8	G9-K7	G10-J8	G11-M7	G12-L8
F1-A5	F2-B6	F3-C5	F4-D6	F5-E5	F6-F6	F7-G5	F8-H6	F9-J5	F10-K6	F11-L5	F12-M6
E1-B5	E2-A6	E3-D5	E4-C6	E5-F5	E6-E6	E7-H5	E8-G6	E9-K5	E10-J6	E11-M5	E12-L6
D1-A3	D2-B4	D3-C3	D4-D4	D5-E3	D6-F4	D7-G3	D8-H4	D9-J3	D10-K4	D11-L3	D12-M4
C1-B3	C2-A4	C3-D3	C4-C4	C5-F3	C6-E4	C7-H3	C8-G4	C9-K3	C10-J4	C11-M3	C12-L4
B1-A1	B2-B2	B3-C1	B4-D2	B5-E1	B6-F2	B7-G1	B8-H2	B9-J1	B10-K2	B11-L1	B12-M2
A1-B1	A2-A2	A3-D1	A4-C2	A5-F1	A6-E2	A7-H1	A8-G2	A9-K1	A10-J2	A11-M1	A12-L2

ORTHO DIRECT RAM



ORTHO RAF



CONNECTORS ARE DESIGNED TO MATE IN THE ORIENTATION AS SHOWN.
(THIS IS CONSISTENT WITH THE 270° ORIENTATION OF THE ORTHO
MIDPLANE SYSTEM, BUT THE ORTHOGONAL PINMAP IS DIFFERENT.)

MATERIAL NUMBER	NUMBER OF COLUMNS	NUMBER OF DIFF PAIR	DIM "P"	DESCRIPTION
171740-9298	12	72	5.50	P/N 171740-9208 WITH DUST COVER
171740-9288	12	72	5.50	FINAL VERSION WITH DUST COVER

171740-92**

COLUMN SIZE
2 = 12 COLUMN

PIN LENGTH (P)
7 = 4.90
8 = 5.50

SEE SHEET 1 EC. NO: UCP2016-3500 DRWN:DWLEE01 2016/03/04 CHKD: APPR:DWLEE01 2016/03/08 REY:	QUALITY SYMBOLS	GENERAL TOLERANCES (UNLESS SPECIFIED)	DIMENSION STYLE MM ONLY	SCALE 2:1	DESIGN UNITS METRIC	THIRD ANGLE PROJECTION
	▽ = 0	mm INCH	DRAWN BY DATE DWLEE01 2016/03/04	TITLE IMPEL ORTHOGONAL DIRECT 6 PAIR X 12 COLUMN RAM UNGUIDED SALES DRAWING		
	▽ = 0	4 PLACES ± --- ± --- 3 PLACES ± --- ± --- 2 PLACES ± 0.13 ± --- 1 PLACE ± 0.25 ± --- 0 PLACE ± --- ± ---	CHECKED BY DATE	APPROVED BY DATE DWLEE01 2016/03/08		
	▽ = 0	ANGULAR ±1/2°	MATERIAL NO. SEE CHART	DOCUMENT NO. SD-171740-9004	SHEET NO. 3 OF 3	
DRAFT WHERE APPLICABLE MUST REMAIN WITHIN DIMENSIONS		THIS DRAWING CONTAINS INFORMATION THAT IS PROPRIETARY TO MOLEX. INCORPORATED AND SHOULD NOT BE USED WITHOUT WRITTEN PERMISSION				