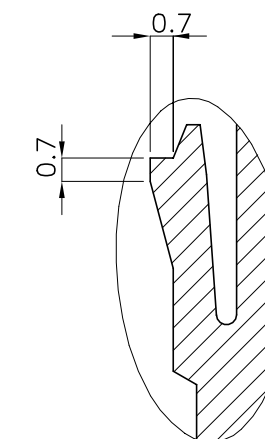
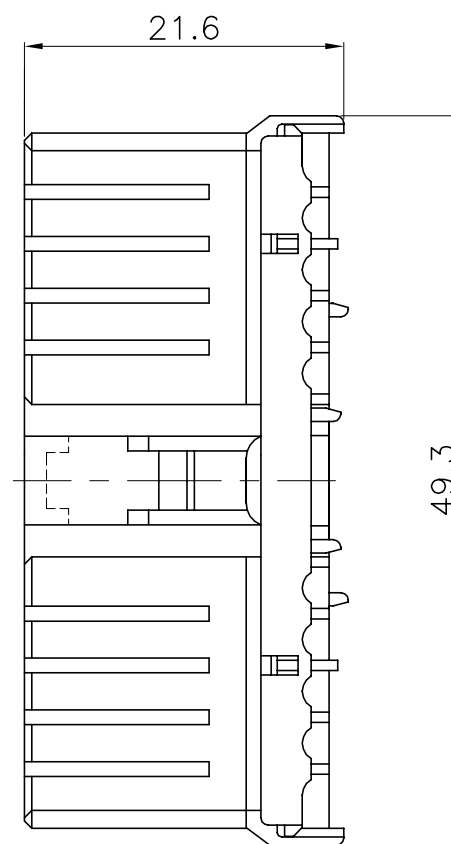
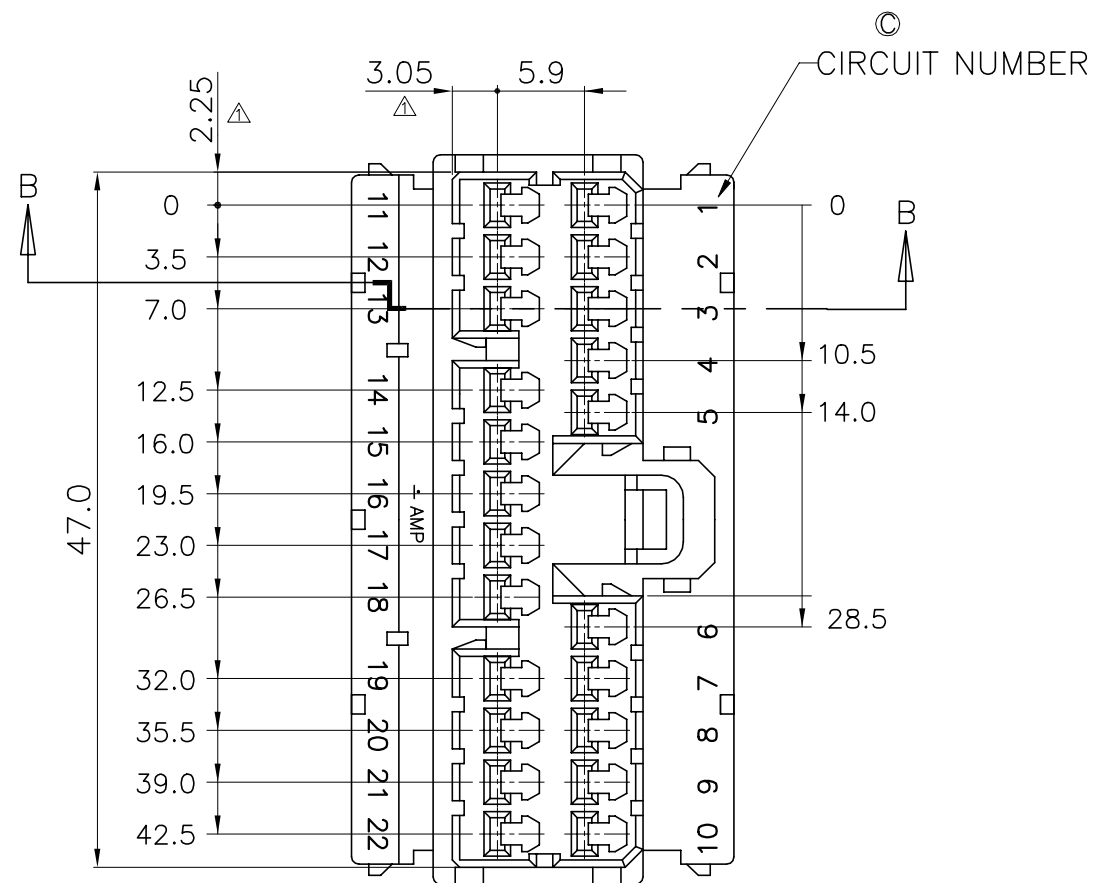
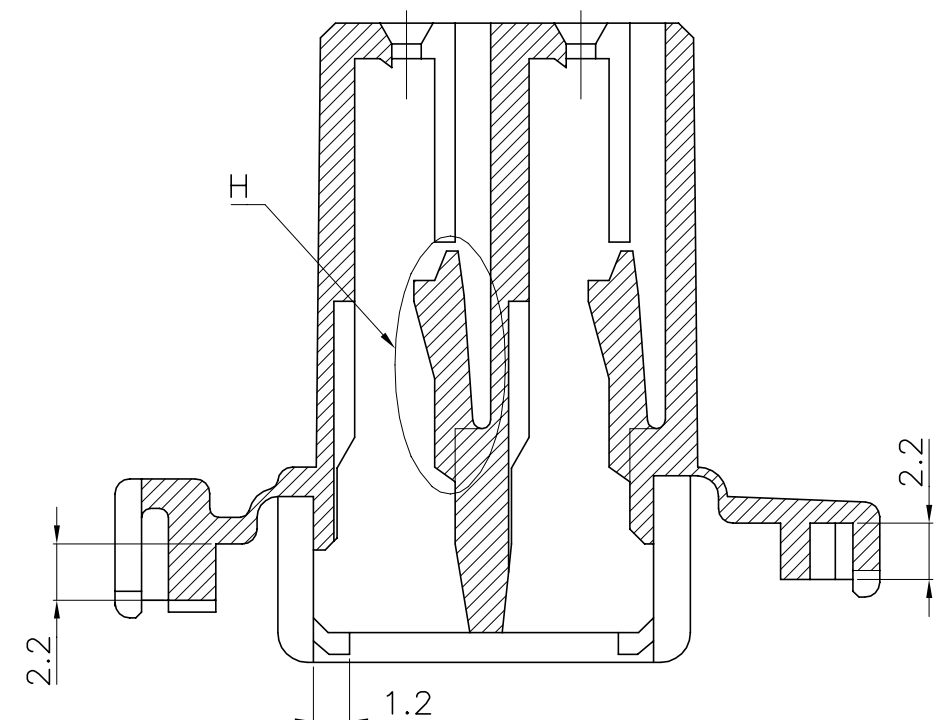


REVISIONS

P	LTR	DESCRIPTION	DATE	DWN	APVD
	C1	REVISED ECR-22-131601	06JUN2022	VI	YJU



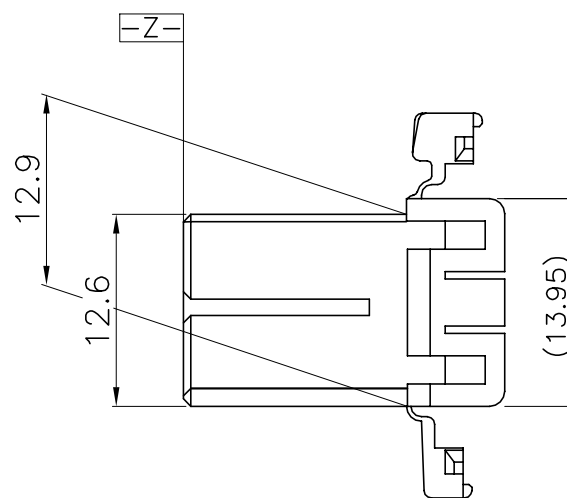
DETAIL H



SECTION B-B
(SCALE:5/1)

TOLERANCES UNLESS OTHERWISE SPECIFIED:

0 <XX<10	± 0.2
10 <XX<30	± 0.25
30 <XX	± 0.3
ANGLES	± 3°



NOTES

- △ TO BE MEASURE BETWEEN [-Z-] AND 2.
- APPLIED CONTACT P/N: 173630,173631,85098
- TO BE MATED WITH CAP HSG SMOOTHLY
- APPLIED CAP HSG P/N: 85097
- CURRENT RATING: 10A MAX

OBSOLETE

Ⓟ 85096-7	P.B.T	YELLOW	Ⓜ
Ⓟ 85096-1	P.B.T	WHITE	
P/N	MATERIAL	COLOR	

THIS DRAWING IS A CONTROLLED DOCUMENT.		DWN	JG MOON	-	TE TE Connectivity			
DIMENSIONS: mm		CHK	MB JANG	-				
TOLERANCES UNLESS OTHERWISE SPECIFIED:		APVD	CS LEE	-	NAME			
0 PLC ± -		PRODUCT SPEC			.070 MLC 22P PLUG HSG.			
1 PLC ± -		APPLICATION SPEC			SIZE	CAGE CODE	DRAWING NO	RESTRICTED TO
2 PLC ± -					A3	00779	C-85096	-
3 PLC ± -					CUSTOMER DRAWING			SCALE
4 PLC ± -								1:1
ANGLES ± -								SHEET
FINISH								1 OF 1
MATERIAL		WEIGHT	0					REV
SEE TABLE								C1