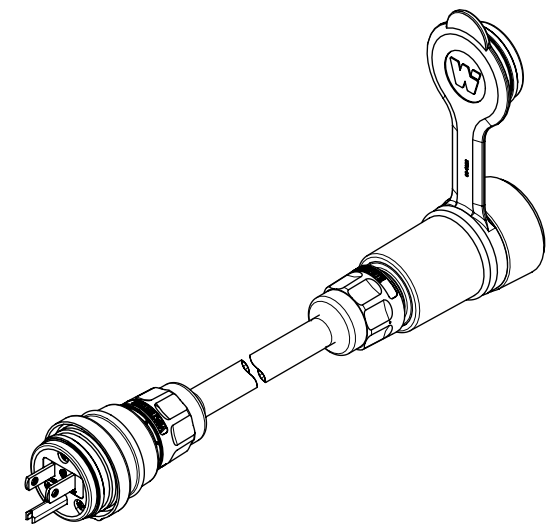
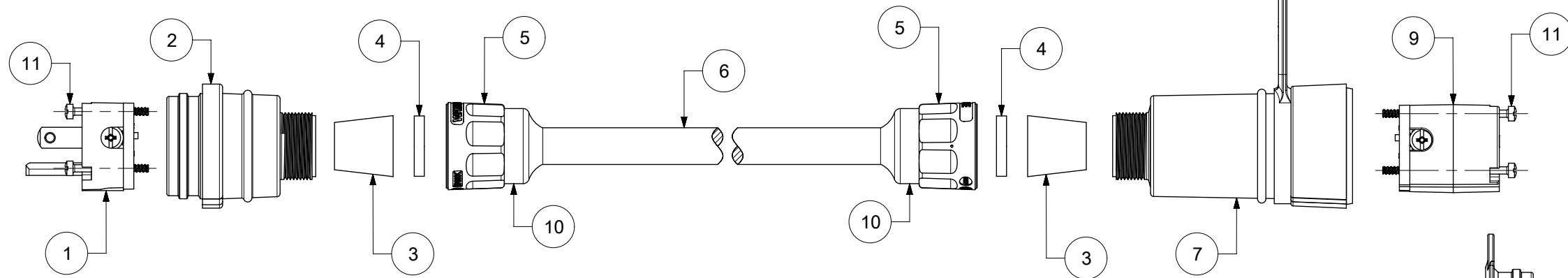
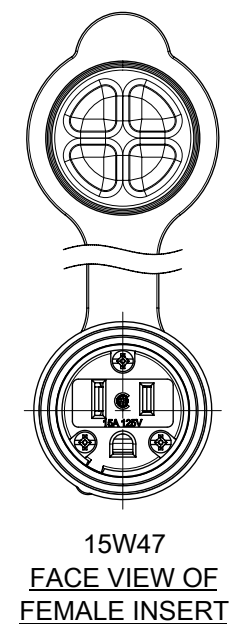
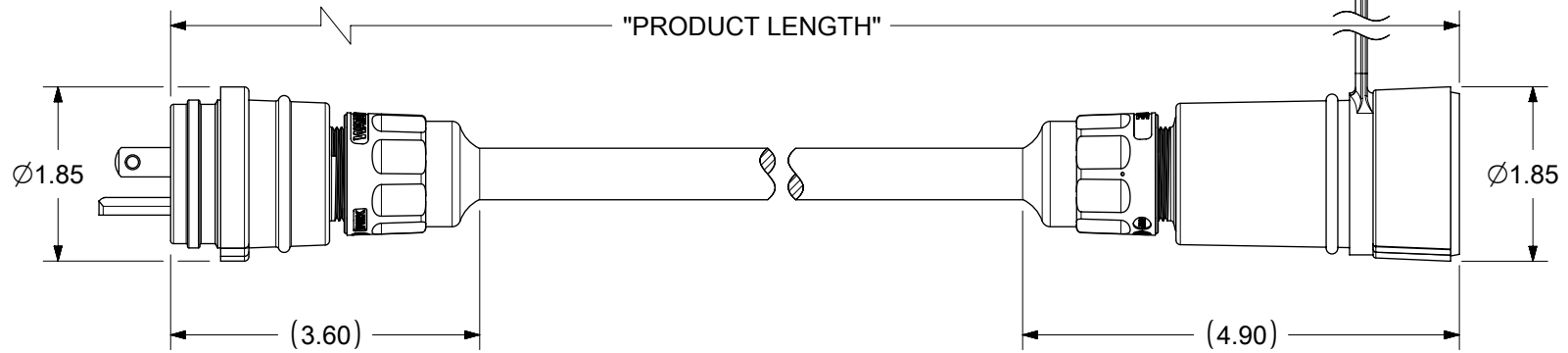
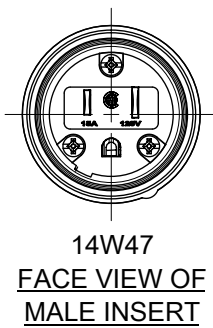


MATERIAL NO.	ENGINEERING NO.	DESCRIPTION	PRODUCT LENGTH
1301430134	14W47A143	14W47 W25FT 14-3SO 15W47	25 FT +12.0/-0.0 IN
1301430137	14W47A163	14W47 W25FT 16-3SO 15W47	25 FT +12.0/-0.0 IN
1301430138	14W47B123	14W47 W50FT 12-3SO 15W47	50 FT +24.0/-0.0 IN
1301430140	14W47B143	14W47 W50FT 14-3SO 15W47	50 FT +24.0/-0.0 IN
1301430143	14W47B163	14W47 W50FT 16-3SO 15W47	50 FT +24.0/-0.0 IN
1301430148	14W47D123	14W47 W100FT 12-3SO 15W47	100 FT +24.0/-0.0 IN
1301430150	14W47D143	14W47 W100FT 14-3SO 15W47	100 FT +24.0/-0.0 IN
1301430153	14W47D163	14W47 W100FT 16-3SO 15W47	100 FT +24.0/-0.0 IN
1301430154	14W47L143	14W47 W6FT 14-3SO 15W47	6 FT +9.0/-0.0 IN

NEMA 5-15; 15A 125V; 2-POLE/3-WIRE



ITEM NO.	DESCRIPTION	MATERIAL	QTY.
1	MALE INSERT ASSY.	NYLON, POLYCARBONATE, BRASS PLATING - NICKEL OR ZINC	1
2	WATERTITE - MALE HUSK	SILICONE	1
3	GROMMET	RUBBER	2
4	FRICITION RING	NYLON	2
5	COMPRESSION NUT YELLOW	NYLON	2
6	YELLOW SOOW CORD	COPPER WIRE	1
7	WATERTITE - FEMALE HUSK	SILICONE	1
8	CLOSURE CAP YELLOW	SILICONE	1
9	FEMALE INSERT ASSY.	NYLON, POLYCARBONATE, BRASS PLATING - NICKEL OR ZINC	1
10	CABLE GLOVE	SILICONE	2
11	RETAINING SCREW	STAINLESS STEEL	6



THIS DRAWING CONTAINS INFORMATION THAT IS PROPRIETARY TO MOLEX ELECTRONIC TECHNOLOGIES, LLC AND SHOULD NOT BE USED WITHOUT WRITTEN PERMISSION

DIMENSION UNITS	SCALE	CURRENT REV	DESC: REMOVED OBSOLETE PART NUMBER AS PER PCN#511695.
INCH	NTS	730178	
GENERAL TOLERANCES (UNLESS SPECIFIED)		DRWN: SANTHN	2022/11/30
ANGULAR TOL	± °	CHKD: GGA	2023/01/04
4 PLACES	±	APPR: GGA	2023/01/04
3 PLACES	±	INITIAL REVISION:	
2 PLACES	±	DRWN: PPURSUTANDEL	2019/06/21
1 PLACE	±	APPR: HKNEELAND	2020/05/19
0 PLACES	±	DOCUMENT NUMBER	
DRAFT WHERE APPLICABLE MUST REMAIN WITHIN DIMENSIONS		THIRD ANGLE PROJECTION	DRAWING
		B-SIZE	SERIES
		130143	MATERIAL NUMBER
		SEE TABLE	CUSTOMER
		GENERAL MARKET	SHEET NUMBER
		1 OF 1	

molex

WATERTITE CORDSET
PLUG AND CONNECTOR WITH CORD

PRODUCT CUSTOMER DRAWING

1301430140

PSD 000 A1