



MICRO SWITCH

FREEPORT, ILLINOIS, U.S.A.
A DIVISION OF HONEYWELL

FED. MFG. CODE 91929

SWITCH - BASIC

CATALOG LISTING

V3-32

CK-A3200

V3-32

M

DRAWING NUMBER

ISSUE

12

VISIONS

CO20189

OMW
MAY 65

CO21688

M B F
OCT 66

CO31509

R E R
JAN 73

CO 36987

SMA
OCT 85

CO74635

K D R
MAY 93

REPLACES

RELEASE NO.

CHECK

DLH

27 MAY 65

CHECK

DLH

27 MAY 65

CHECK

DLH

27 MAY 65

CHECK

DLH

27 MAY 65

CHECK

DLH

27 MAY 65

CHECK

DLH

27 MAY 65

CHECK

DLH

27 MAY 65

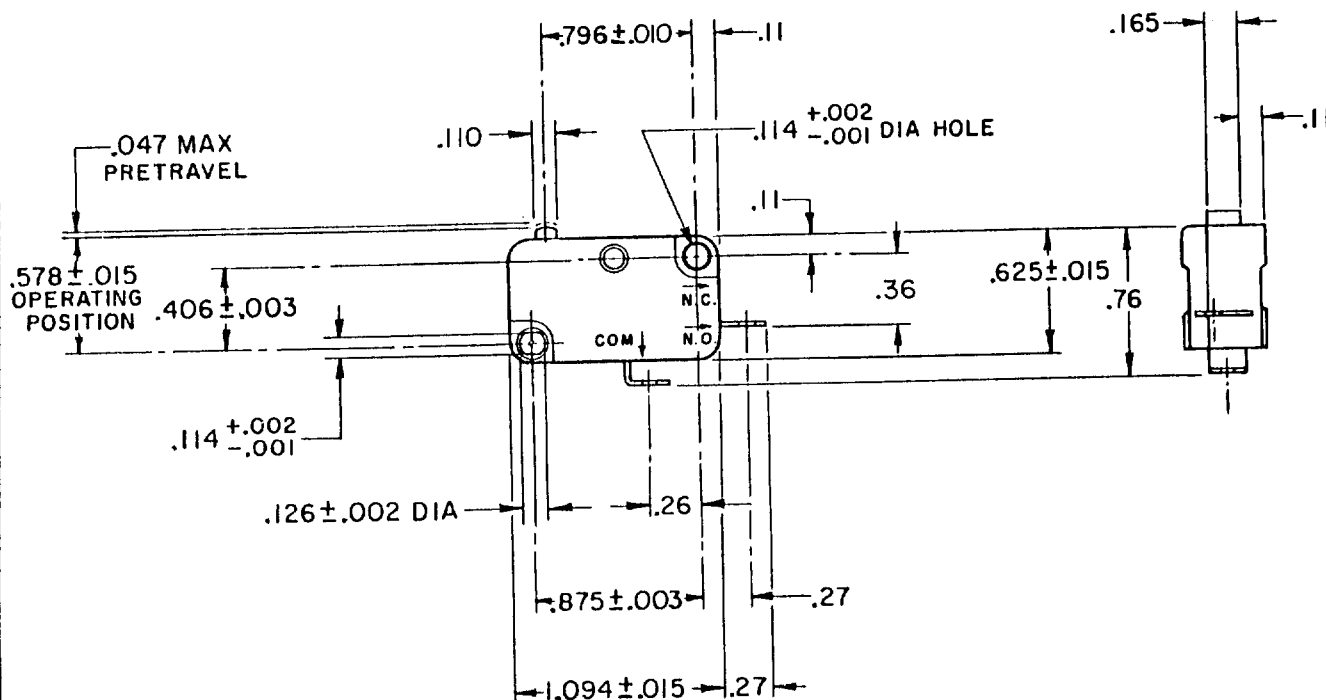
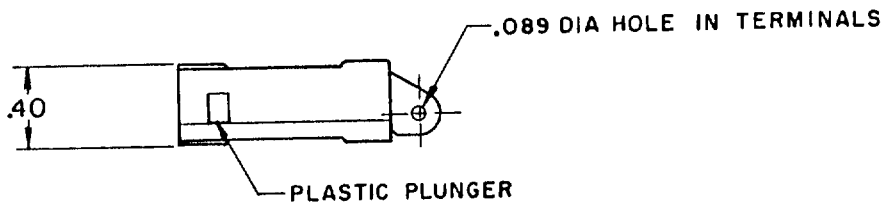
CHECK

DLH

27 MAY 65

CHECK

DLH



NOTE -
1 - TERMINALS ARE PLATED FOR SOLDERING

THIS DRAWING COVERS A PROPRIETARY ITEM AND IS THE PROPERTY OF MICRO SWITCH, A DIVISION OF HONEYWELL. THIS DRAWING IS NOT TO BE COPIED OR USED WITHOUT THE APPROVAL OF MICRO SWITCH.

CHARACTERISTICS

OPERATING FORCE ----- 6-14 OZ
 RELEASE TRAVEL ----- .007 MIN
 RELEASE FORCE ----- 4 OZ MIN
 DIFFERENTIAL TRAVEL ----- .006-.016
 OVERTRAVEL ----- .040 MIN
 FREE POSITION ----- .625 MAX

ELECTRICAL DATA

CONTACT ARRANGEMENT
S P N O

15.1A 1/2HP 125 OR 250 VAC
 1/2A 125 VDC, 1/4A 250 VDC
 5A 125 VAC "L"



SCALE FULL

DO NOT SCALE PRINT

UNLESS OTHERWISE NOTED
 DIMENSIONS ARE IN INCHES

TOLERANCES ARE:

ONE PLACE	(.0)	±.030
TWO PLACE	(.00)	±.015
THREE PLACE	(.000)	±.005
ANGLES		±

WEIGHT .016 LB