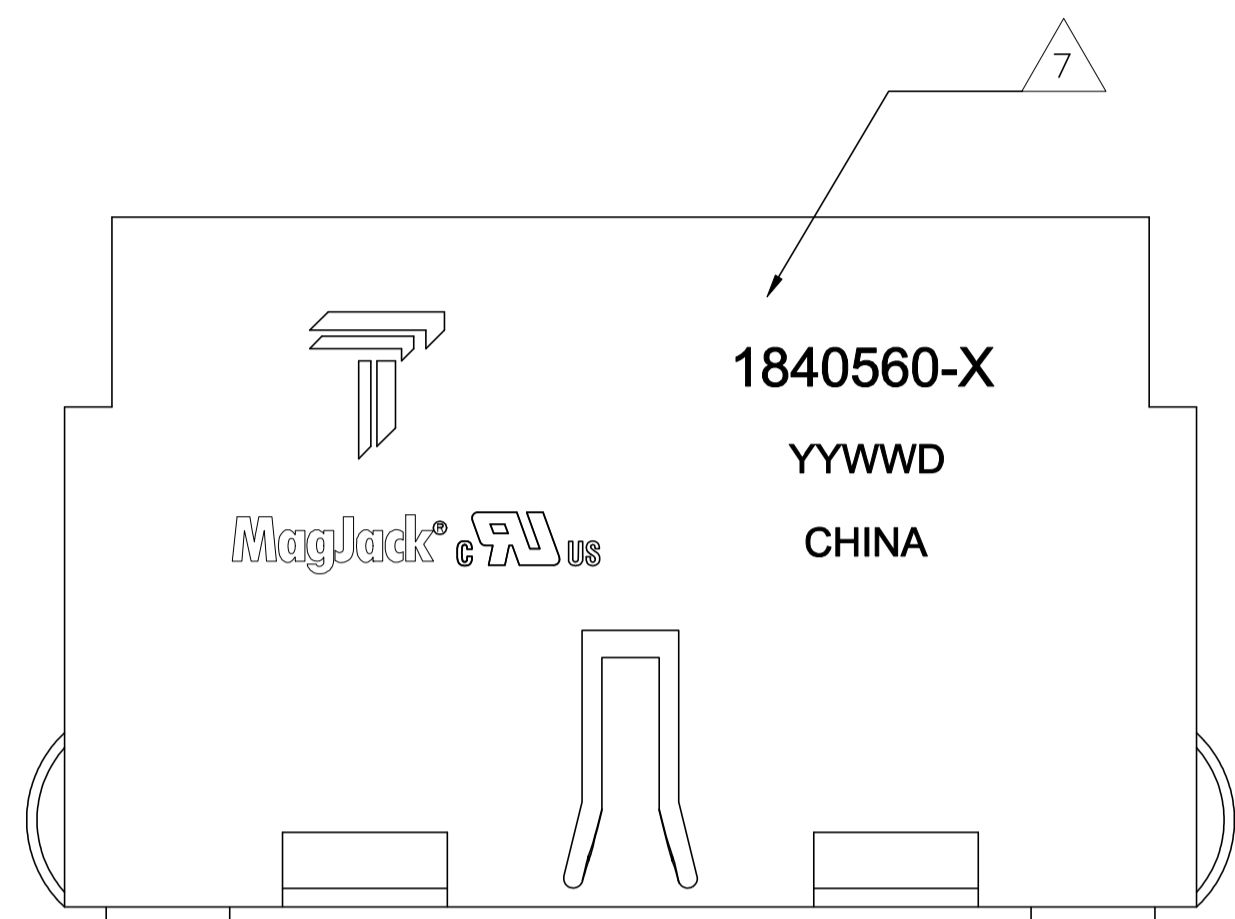


THIS DRAWING AND THE SUBJECT MATTER SHOWN THEREON ARE CONFIDENTIAL AND THE PROPERTY OF BEL/STEWART/TRP CONNECTOR AND SHALL NOT BE REPRODUCED, COPIED, OR USED IN ANY MANNER WITHOUT THE WRITTEN CONSENT OF TRP CONNECTOR.

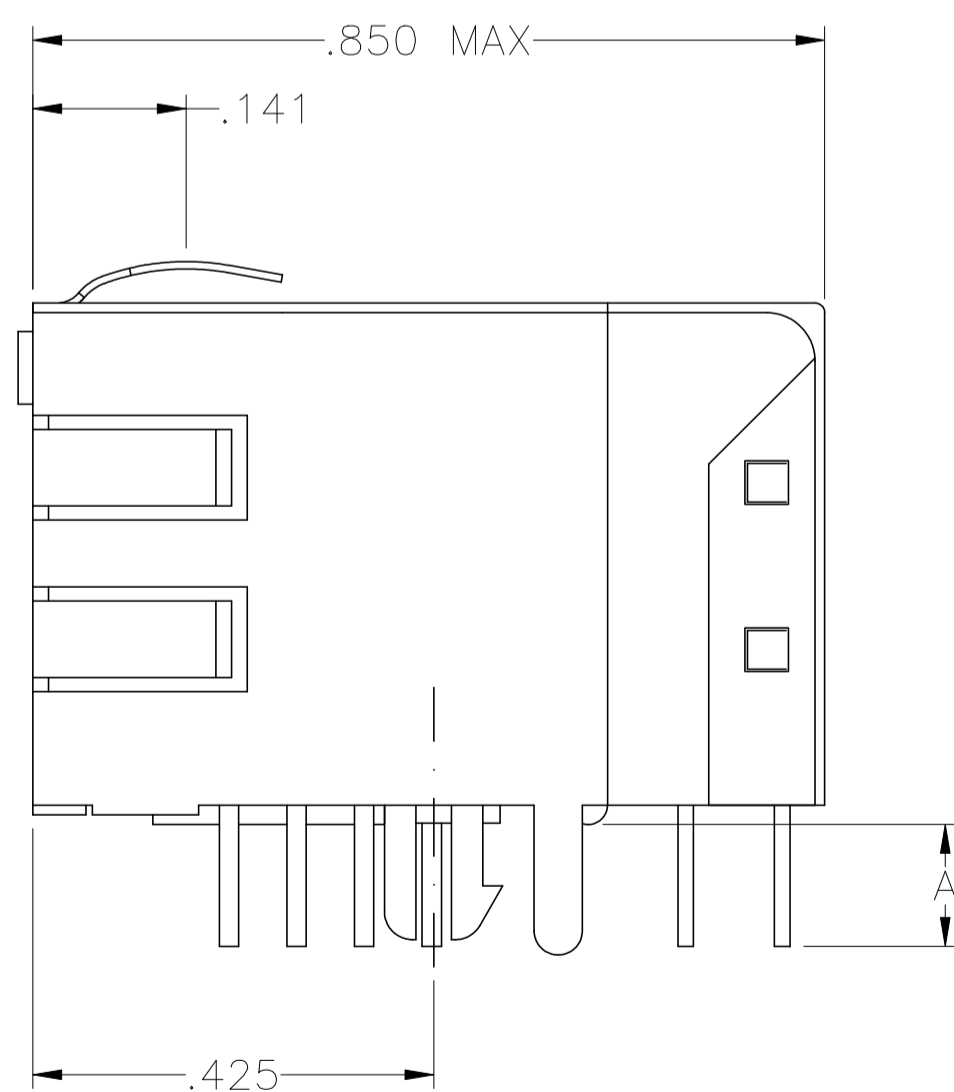
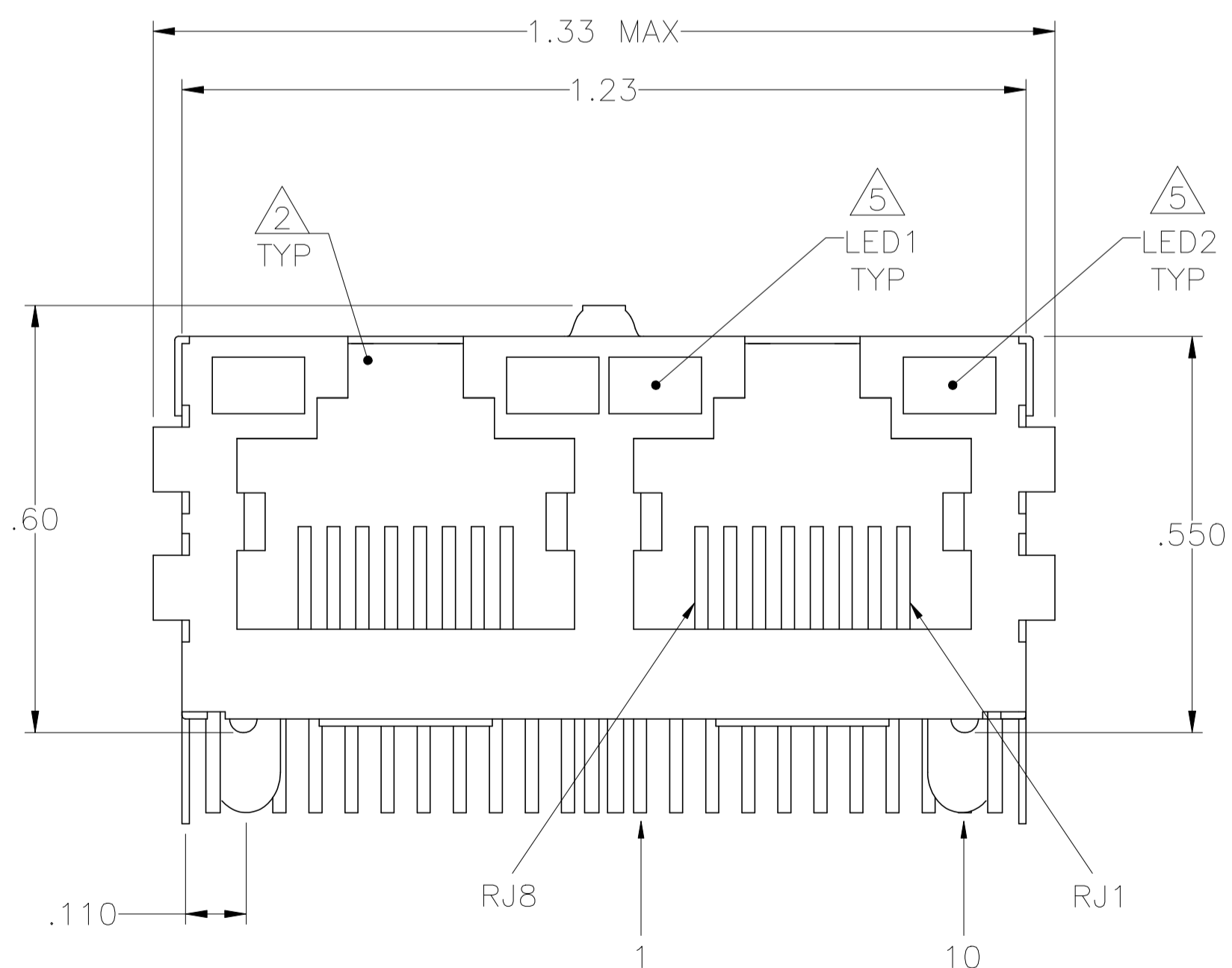
PRODUCT MAY BE PROTECTED BY ONE OR MORE OF THE FOLLOWING US PATENTS:  
 5736910 5939955 6425781 6428361 6554638 6840817 7123117  
 7429195 7717749 7808751 6217391 6149050 7924130

REVISIONS				
REV	DATE	BY	CHKD	APPD
D	29DEC2014	RT	TL	

MECHANICAL:



1X2 SUGGESTED PANEL CUTOUT

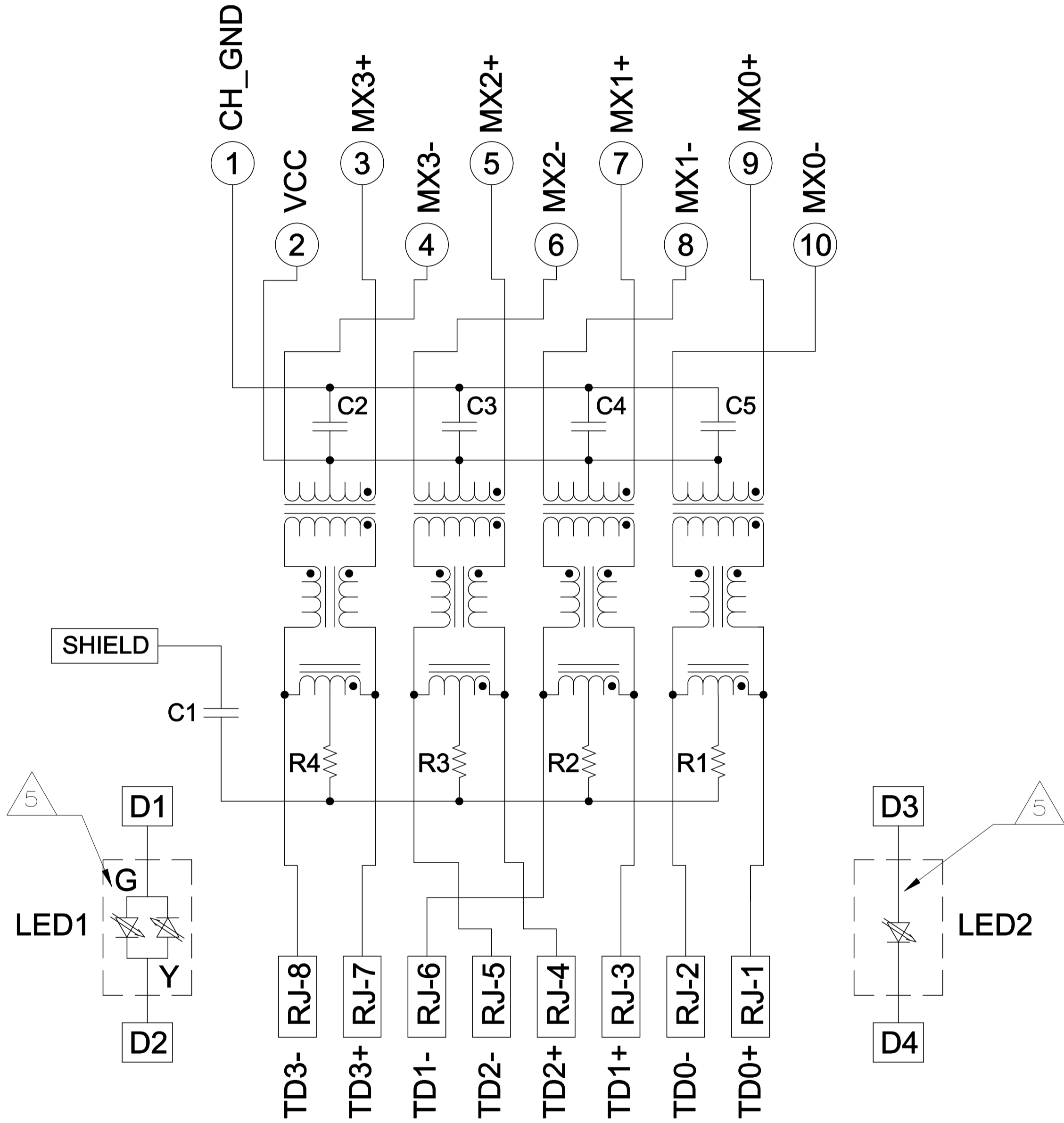
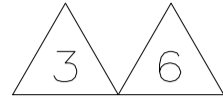


- △ MATERIALS:  
 HOUSING - THERMOPLASTIC PET POLYESTER FLAMMABILITY RATING UL 94V-0.  
 SHIELD - .010" THICK, C26800 BRASS PREPLATED WITH 30μinch MIN SEMI-BRIGHT NICKEL, SOLDER TAB POSTS DIPPED WITH 100μinch MIN SAC SOLDER.  
 MOD JACK CONTACTS - .0157" x .018", PHOSPHOR BRONZE, 50μinch MIN OVERALL NICKEL UNDERPLATE, WITH SELECT 50μinch MIN HARD GOLD FINISH PLATE. SOLDER TAILS WITH 100μinch MIN MATTE TIN AND/OR SAC SOLDER DIP.  
 LIGHT EMITTING DIODE(LED) - DIFFUSED EPOXY LENS, .020" x .020" CARBON STEEL WIREFRAME LEADS PREPLATED WITH 80μinch SILVER OVER 40μinch NICKEL UNDERPLATE OVER 40μinch COPPER UNDERPLATE, POST-PLATED WITH 100μinch MIN MATTE TIN AND/OR SAC SOLDER DIP OR PURE TIN SOLDER DIP.
- △ RJ45 JACK CAVITY CONFORMS TO FCC RULES AND REGULATIONS PART 68, SUB PART F.
- △ MAGNETICS  
 -APPLICATION: 10/100/1000 BASE-T, EXTENDED TEMPERATURE  
 -IMPEDANCE: 100 OHMS  
 -TURNS RATIO (CHIP:CABLE): 1:1 ALL FOUR PAIRS  
 -OPEN CIRCUIT INDUCTANCE (OCL): 350uH MIN @100kHz, 0.1VRMS, 8mADC BIAS FROM -40°C TO +85°C, ALL FOUR PAIRS  
 -ALL FOUR PAIRS BI-DIRECTIONAL  
 -PERFORMANCE @ 25°C:  
 INSERTION LOSS (IL): 1.1dB MAX FROM 0.5MHz TO 100MHz  
 RETURN LOSS (RL): 18dB MIN FROM 0.5MHz TO 4.0MHz  
 12-20LOG(f/80)dB MIN FROM 4.0.1MHz TO 100MHz  
 CROSSTALK ATTENUATION: 35dB MIN FROM 0.5MHz TO 4.0MHz  
 33-20LOG(f/50)dB MIN FROM 4.0.1MHz TO 100MHz  
 COMMON MODE REJECTION RATIO (CMRR): 30dB MIN FROM 0.5MHz TO 100MHz  
 -ISOLATION VOLTAGE: 2250 VDC FOR 60 SECONDS DURATION.
- △ ALL DIMENSIONS NOMINAL UNLESS OTHERWISE NOTED
- △ LEDs ARE DRIVEN WITH CONSTANT CURRENT AT APPROX 20 mA  
 LED COLOR: DOMINANT WAVELENGTH (λD): GREEN 568 nm TYP @ IF=20 mA  
 FORWARD VOLTAGE (VF): GREEN 2.2V TYP @ IF=20 mA  
 DOMINANT WAVELENGTH (λD): YELLOW 588 nm TYP @ IF=20 mA  
 FORWARD VOLTAGE (VF): YELLOW 2.1V TYP @ IF=20 mA
- △ INDICATED MAGNETIC CONNECTIONS ARE SYMMETRICAL TO ACCOMMODATE CONNECTIONS FOR EITHER NIC OR HUB CONFIGURATION, OR SUPPORT AUTO-MDI/MDIX.
- △ TRP CONNECTOR LOGO, PART NUMBER, DATE CODE, COUNTRY OF ORIGIN AND AGENCY APPROVAL MARKING IN APPROXIMATE LOCATION SHOWN.
- 8. OPERATING TEMPERATURE: FROM -40°C TO +85°C.
- 9. THE PART IS RECOMMENDED FOR WAVE SOLDERING PROCESS, PREHEAT TEMPERATURE IS 120°C TO 160°C, 120 SECONDS TO 180 SECONDS, PEAK WAVE SOLDERING TEMPERATURE IS 260°C MAX, 10 SECONDS MAX.

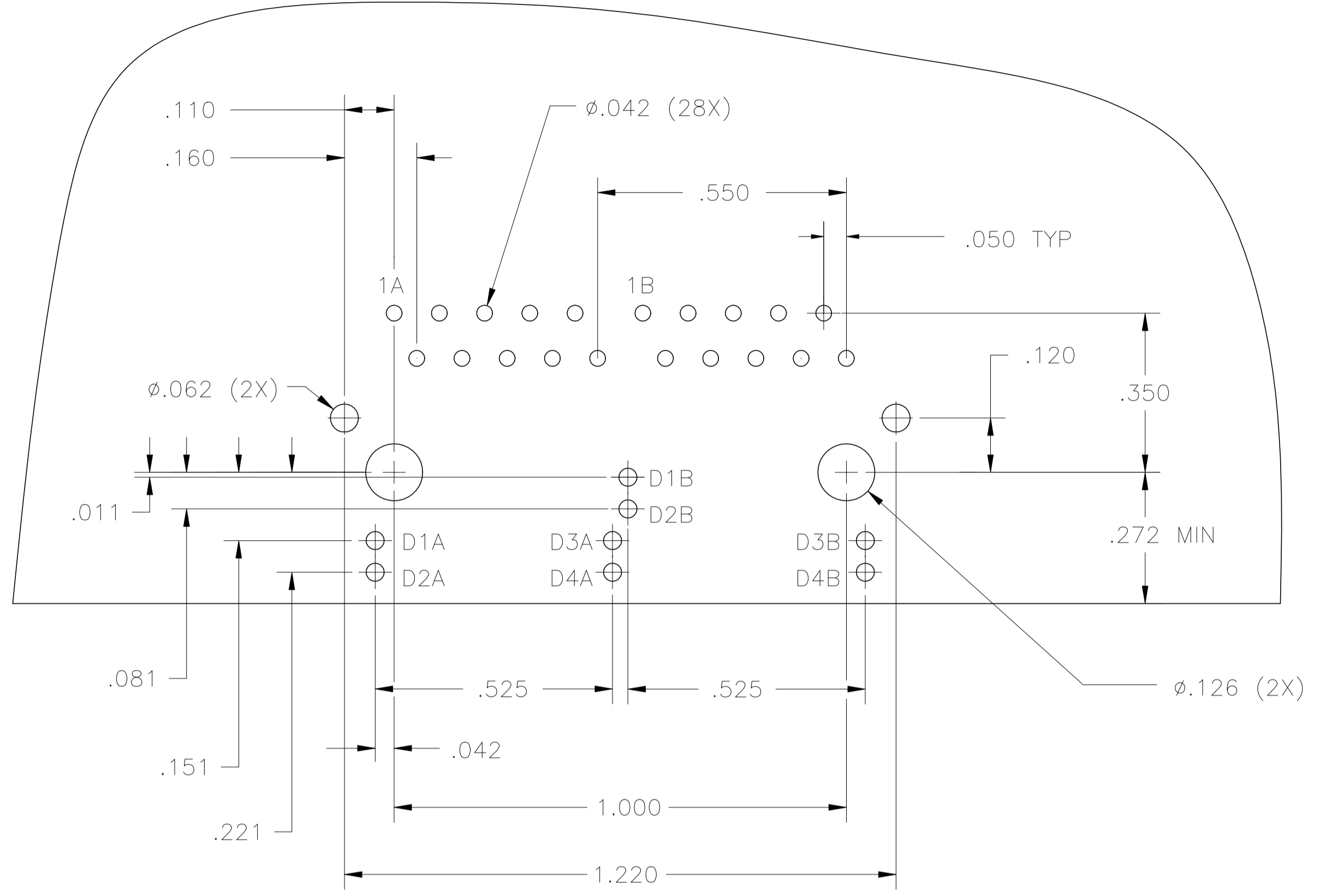
.110±.010	GREEN/YELLOW	GREEN	1-1840560-5
.145±.010	GREEN/YELLOW	GREEN	1840560-5
DIM A	LED1 △	LED2 △	PART NUMBER

THIS DRAWING IS A CONTROLLED DOCUMENT.		DWN: VIKIN LEE 04FEB2009		trp CONNECTOR		DONGGUAN CHINA	
DIMENSIONS: INCHES		TOLERANCES UNLESS OTHERWISE SPECIFIED:		APVD: QUENTIN LIU 04FEB2009		APVD: LIJUN RAO 04FEB2009	
0 PLC ± -		1 PLC ± .010		MODEL NAME: MAGJACK		DESC: 1X2 7G05ET GIGABIT TAB UP W/ LED	
2 PLC ± .005		3 PLC ± .005		SIZE: A1		CAGE CODE: -	
4 PLC ± .010		ANGLES: -		DRAWING NO: 1840560		RESTRICTED TO: -	
PRODUCT SPEC: 108-2100		APPLICATION SPEC: -		CUSTOMER DRAWING		SCALE: 4:1 SHEET 1 OF 2 REV D	

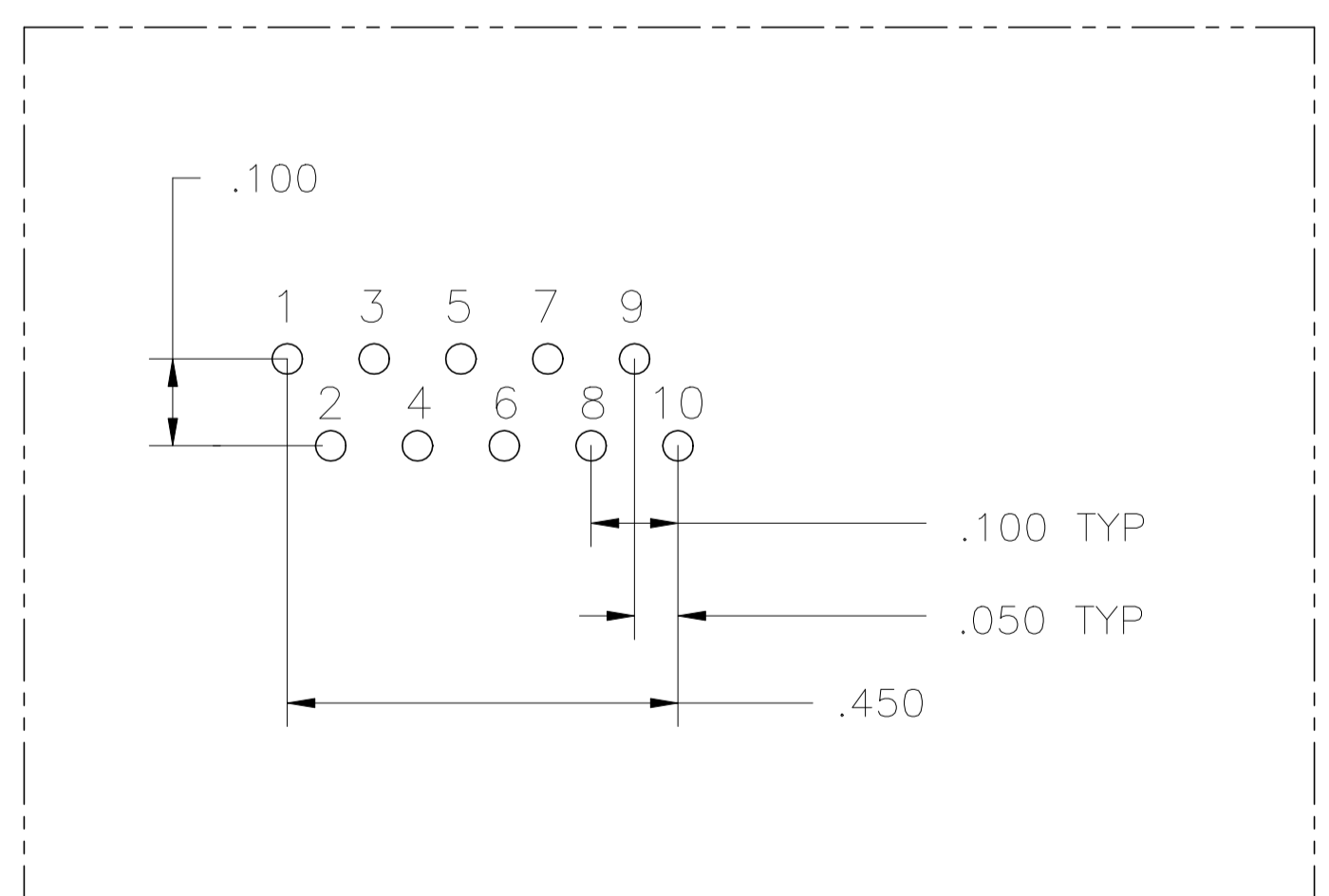
7G05ET GIGABIT CIRCUIT



C1 = 1000 pF, 2kV CAPACITOR  
 R1-R4 = 75 OHMS, 1/16 W RESISTORS  
 C2-C5 = 0.1 uF, 50V, X7R CAPACITORS



SUGGESTED PCB LAYOUT  
 (Component Side)



PIN DESIGNATIONS

THIS DRAWING IS A CONTROLLED DOCUMENT.		OWN: VIKIN LEE 04FEB2009	DONGGUAN CHINA
DIMENSIONS: INCHES		CHK: QUENTIN LIU 04FEB2009	
TOLERANCES UNLESS OTHERWISE SPECIFIED:		APVD: LUJUN RAO 04FEB2009	
0 PLC ± - 1 PLC ± .010 2 PLC ± .010 3 PLC ± .005 4 PLC ± - ANGLES ± -		MODEL NAME: MAGJACK	
PRODUCT SPEC: 108-2100	APPLICATION SPEC: -	DESC: 1X2 7G05ET GIGABIT TAB UP W/ LED	SIZE: A1
CUSTOMER DRAWING		SCALE: 4:1	SHEET 2 OF 2