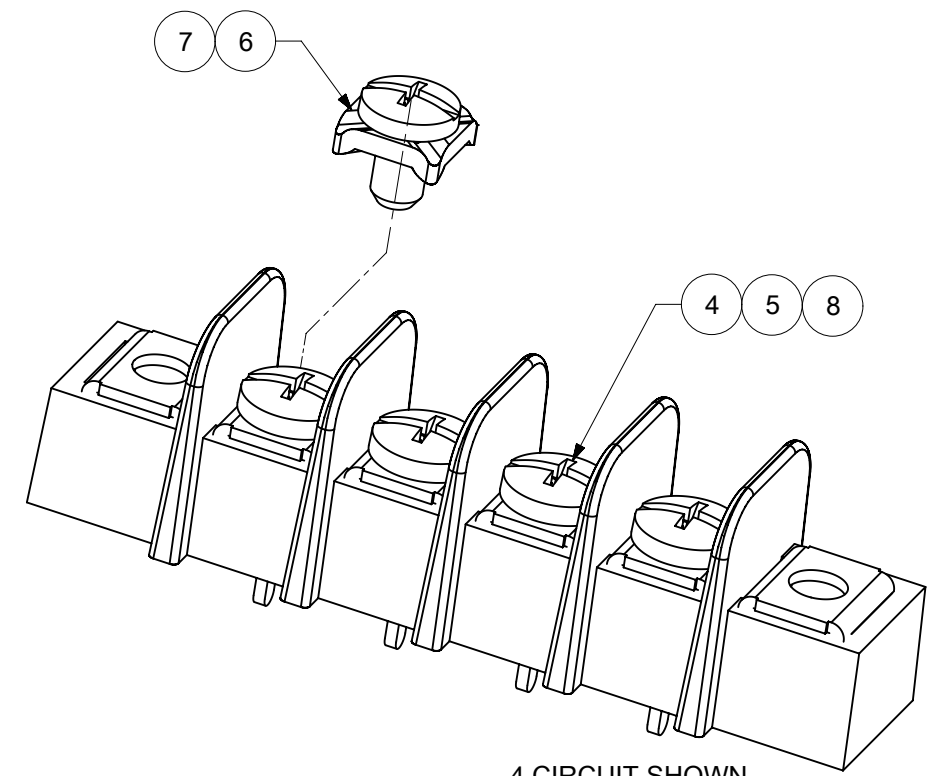
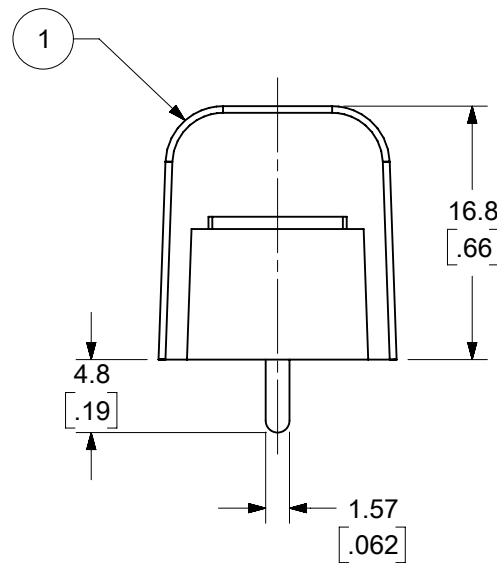
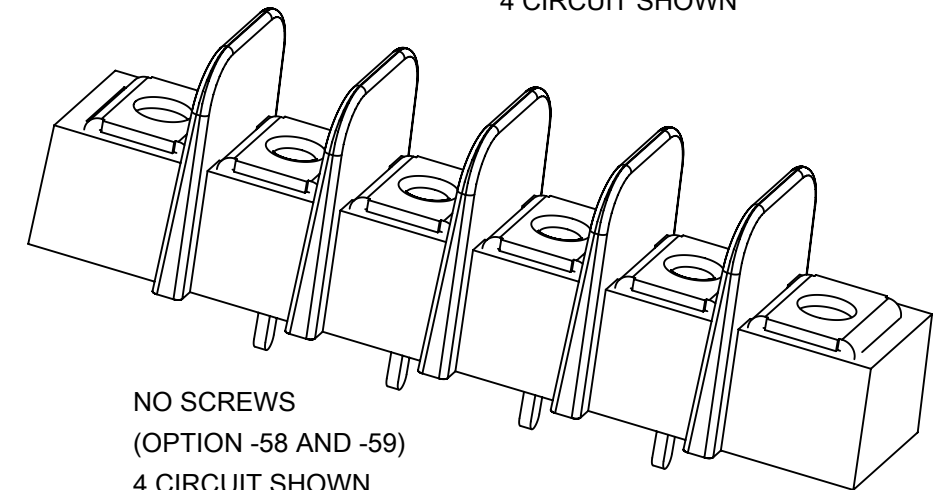


WIRE READY SPEC. (OPTION -47)
(FOR OPTIONAL SCREW -50
AND STANDARD SCREW.)



4 CIRCUIT SHOWN



NO SCREWS
(OPTION -58 AND -59)
4 CIRCUIT SHOWN

NOTES:

1. MATERIAL: SEE TABLE
2. FINISHES: SEE TABLE
3. INCH DIMENSIONS ARE IN BRACKETS [XXX].
4. REFER TO SD-38120-001 FOR IMPRINTING OPTIONS 10A AND 11A.
5. REFER TO SD-38120-007 FOR IMPRINTING OPTION 12A.
6. "XX" REFERS TO THE QUANTITY OF CIRCUITS.
7. ALL COMPONENTS ARE ROHS COMPLIANT.

10	XX	#6-32 WRDY W/WASH SCR (OPT -47,-50)	STEEL	ZN, CLEAR CHROMATE
9	XX	#6-32 PH/SLOT WRDY SCR (OPT -47)	STEEL	ZN, CLEAR CHROMATE
8	XX	#6-32 BHD, PHIL-SLOT SST SCR (OPT -56)	STAINLESS STEEL	PASSIVATE
7	XX	#6-32 PH/SL W/WASH SCR (OPT -49,-50)	BRASS	NICKEL
6	XX	#6-32 PH/SL W/WASH SCR (OPT -50)	STEEL	ZN, CLEAR CHROMATE
5	XX	#6-32 PH/SLOTTED SCREW (OPT -49)	BRASS	NICKEL
4	XX	#6-32 PH/SLOTTED SCREW (STD)	STEEL	ZN, CLEAR CHROMATE
3	2	MOUNTING PLATE	BRASS	NICKEL
2	XX	TERMINAL, PC	BRASS	BRT. TIN/CU
1	1	INSULATOR, SINGLE ROW	PBT	BLACK
ITEM	QTY.	DESCRIPTION	MATERIAL	FINISH

TOLERANCES			
MM	TOL	INCH	TOL
0-6	±0.25	0-.24	±.010
>6-30	±0.40	.24-1.18	±.016
>30-120	±0.50	1.18-4.76	±.020
>120	±0.80	>4.76	±.031

SYMBOLS		THIS DRAWING CONTAINS INFORMATION THAT IS PROPRIETARY TO MOLEX ELECTRONIC TECHNOLOGIES, LLC AND SHOULD NOT BE USED WITHOUT WRITTEN PERMISSION	
▽ = 0	DIMENSION UNITS	SCALE	CURRENT REV DESC: ADDED PNS 387290485 & 387291667
▽ = 0	MM/INCH	2:1	
▽ = 0	GENERAL TOLERANCES (UNLESS SPECIFIED)		
▽ = 0	4 PLACES ±	MM	INCH
▽ = 0	3 PLACES ±	SEE CHART	SEE CHART
▽ = 0	2 PLACES ±	SEE CHART	SEE CHART
▽ = 0	1 PLACE ±	SEE CHART	SEE CHART
▽ = 0	0 PLACES ±	SEE CHART	SEE CHART
⊠ = 0	ANGULAR TOL ±		
■ = 0	DRAFT WHERE APPLICABLE MUST REMAIN WITHIN DIMENSIONS		
▽ = 0	THIRD ANGLE PROJECTION	DRAWING	SERIES
	⊕	B-SIZE	38720
DOCUMENT NUMBER		DOC TYPE	DOC PART
SD-38720-001		PSD	001
MATERIAL NUMBER		CUSTOMER	SHEET NUMBER
SEE SHEET-2		GENERAL MARKET	1 OF 2

molex

9.53MM [.375"] SR BTS, PC ASSY

PRODUCT CUSTOMER DRAWING

DOCUMENT NUMBER: SD-38720-001

DOC TYPE: PSD

DOC PART: 001

REVISION: E

MATERIAL NUMBER: SEE SHEET-2

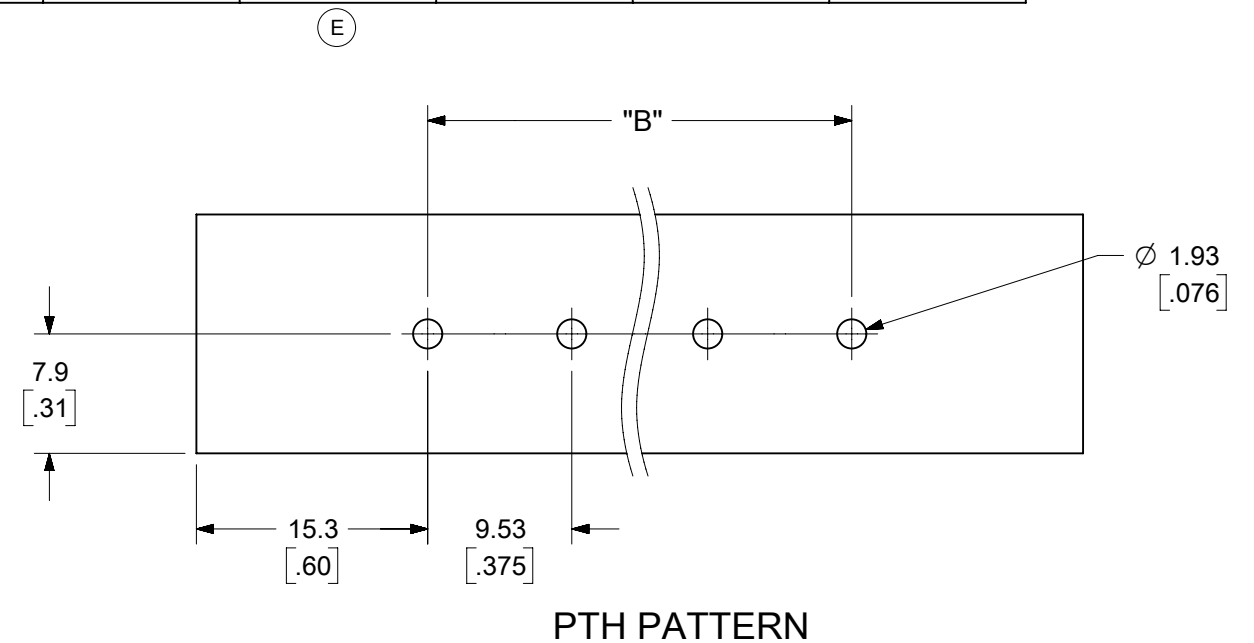
CUSTOMER: GENERAL MARKET

SHEET NUMBER: 1 OF 2

NUMBER OF CIRCUITS "XX"	MATERIAL NO. (OPT 12A)	MATERIAL NO. (OPT 11A)	MATERIAL NO. (OPT 10A)	MATERIAL NO. (OPT -59)	MATERIAL NO. (OPT -58)	MATERIAL NO. (OPT -56)	MATERIAL NO. (OPT -50)	MATERIAL NO. (OPT -49,-50)	MATERIAL NO. (OPT -49)	MATERIAL NO. (OPT -49,-59)	MATERIAL NO. (OPT -47,-50)	MATERIAL NO. (STD)	NUMBER OF CIRCUITS "XX"
01						387290659						387206201	01
02			387291039		387290750	387290791	387207402	387291381	387206802			387206202	02
03	387290872	387290025	387290014			387290117	387207403		387206803		387208603	387206203	03
04			387290940	387290945		387290839	387207404	387291159	387206804			387206204	04
05	387290256		387290346			387291253	387207405	387291382	387206805			387206205	05
06				387290400	387290386	387290980	387207406	387291383	387206806			387206206	06
07			387290423	387290407	387290435	387290440	387207407		387206807			387206207	07
08	387290497				387290508	387290532	387207408		387206808	387290485		387206208	08
09			387290548		387290560		387207409		387206809			387206209	09
10			387291011	387290598	387290598	387291663	387207410		387206810			387206210	10
11						387291252	387207411					387206211	11
12			387290720			387290735	387207412		387206812	387291667		387206212	12
13					387290809		387207413					387206213	13
14					387290004		387207414		387206814			387206214	14
15												387206215	15
16												387206216	16
17												387206217	17
18												387206218	18
19												387206219	19
20												387206220	20
21												387206221	21
22												387206222	22
23												387206223	23
24												387206224	24
25												387206225	25
26												387206226	26

NUMBER OF CIRCUITS "XX"	DIM. "A"		DIM. "B"		DIM. "C"		DIM. "D"	
01	30.7	[1.21]	--	--	19.1	[.75]	11.6	[.46]
02	40.1	[1.58]	9.53	[.375]	28.6	[1.13]	21.1	[.83]
03	49.7	[1.96]	19.05	[.750]	38.1	[1.50]	30.6	[1.21]
04	59.2	[2.33]	28.58	[1.125]	47.6	[1.88]	40.1	[1.58]
05	68.7	[2.71]	38.10	[1.500]	57.2	[2.25]	49.7	[1.96]
06	78.2	[3.08]	47.63	[1.875]	66.7	[2.63]	59.2	[2.33]
07	87.8	[3.46]	57.15	[2.250]	76.2	[3.00]	68.7	[2.71]
08	97.3	[3.83]	66.68	[2.625]	85.7	[3.38]	78.2	[3.08]
09	106.8	[4.21]	76.20	[3.000]	95.3	[3.75]	87.8	[3.46]
10	116.3	[4.58]	85.73	[3.375]	104.8	[4.13]	97.3	[3.83]
11	125.9	[4.96]	95.25	[3.750]	114.3	[4.50]	106.8	[4.21]
12	135.4	[5.33]	104.78	[4.125]	123.8	[4.88]	116.3	[4.58]
13	144.9	[5.71]	114.30	[4.500]	133.4	[5.25]	125.9	[4.96]
14	154.4	[6.08]	123.83	[4.875]	142.9	[5.63]	135.4	[5.33]
15	164.0	[6.46]	133.35	[5.250]	152.4	[6.00]	144.9	[5.71]
16	173.5	[6.83]	142.88	[5.625]	161.9	[6.38]	154.4	[6.08]
17	183.0	[7.21]	152.40	[6.000]	171.5	[6.75]	164.0	[6.46]
18	192.5	[7.58]	161.93	[6.375]	181.0	[7.13]	173.5	[6.83]
19	202.1	[7.96]	171.45	[6.750]	190.5	[7.50]	183.0	[7.21]
20	211.6	[8.33]	180.98	[7.125]	200.0	[7.88]	192.5	[7.58]
21	221.1	[8.71]	190.50	[7.500]	209.6	[8.25]	202.1	[7.96]
22	230.6	[9.08]	200.03	[7.875]	219.1	[8.63]	211.6	[8.33]
23	240.2	[9.46]	209.55	[8.250]	228.6	[9.00]	221.1	[8.71]
24	249.7	[9.83]	219.08	[8.625]	238.1	[9.38]	230.6	[9.08]
25	259.2	[10.21]	228.60	[9.000]	247.7	[9.75]	240.2	[9.46]
26	268.7	[10.58]	238.13	[9.375]	257.2	[10.13]	249.7	[9.83]

TOLERANCES			
MM	TOL	INCH	TOL
0-6	±0.25	0-.24	±.010
>6-30	±0.40	.24-1.18	±.016
>30-120	±0.50	1.18-4.76	±.020
>120	±0.80	>4.76	±.031



THIS DRAWING CONTAINS INFORMATION THAT IS PROPRIETARY TO MOLEX ELECTRONIC TECHNOLOGIES, LLC AND SHOULD NOT BE USED WITHOUT WRITTEN PERMISSION													
SYMBOLS		DIMENSION UNITS		SCALE		CURRENT REV DESC: ADDED PNS 387290485 & 387291667							
▽ = 0		MM/INCH		2:1		molex 9.53MM [.375"] SR BTS, PC ASSY PRODUCT CUSTOMER DRAWING DOCUMENT NUMBER: SD-38720-001 DOC TYPE: PSD DOC PART: 001 REVISION: E MATERIAL NUMBER: SEE CHART CUSTOMER: GENERAL MARKET SHEET NUMBER: 2 OF 2							
▽ = 0		GENERAL TOLERANCES (UNLESS SPECIFIED)											
▽ = 0		4 PLACES ± --- ± ---		MM								INCH	
▽ = 0		3 PLACES ± --- ± ---		SEE CHART								SEE CHART	
▽ = 0		2 PLACES ± --- ± ---		SEE CHART								SEE CHART	
▽ = 0		1 PLACE ± --- ± ---		SEE CHART		SEE CHART							
▽ = 0		0 PLACES ± --- ± ---		SEE CHART		SEE CHART							
⊠ = 0		ANGULAR TOL ± ---				THIRD ANGLE PROJECTION		DRAWING		SERIES			
■ = 0		DRAFT WHERE APPLICABLE MUST REMAIN WITHIN DIMENSIONS				B-SIZE		38720		2019/11/18			
▽ = 0										2019/12/05			