

TABLE 1	
DASH NO	DESCRIPTION
-1	TERM (NO CHAIN)
-2	TERM WITH 2.5 BRASS CHAIN
-3	TERM WITH 2.5 NYLON CHAIN
-4	TERM WITH 3.0 BRASS CHAIN
-5	TERM WITH 3.0 NYLON CHAIN
-6	TERM WITH 6.0 BRASS CHAIN
-7	TERM WITH 6.0 NYLON CHAIN
-8	TERM WITH 4.0 BRASS CHAIN
-9	TERM WITH 4.0 NYLON CHAIN
-10	TERM WITH 10.0 BRASS CHAIN
-11	TERM WITH 10.0 NYLON CHAIN

TABLE 1	
DASH NO	DESCRIPTION
-12	TERM WITH 2.5 JACKETED STAINLESS STEEL ROPE
-13	TERM WITH 3.0 JACKETED STAINLESS STEEL ROPE
-14	TERM WITH 6.0 JACKETED STAINLESS STEEL ROPE
-15	TERM WITH 4.0 JACKETED STAINLESS STEEL ROPE
-16	TERM WITH 7.0 JACKETED STAINLESS STEEL ROPE
-17	TERM WITH 4.5 JACKETED STAINLESS STEEL ROPE
-18	TERM WITH 12.0 JACKETED STAINLESS STEEL ROPE
-19	TERM WITH 18.0 JACKETED STAINLESS STEEL ROPE

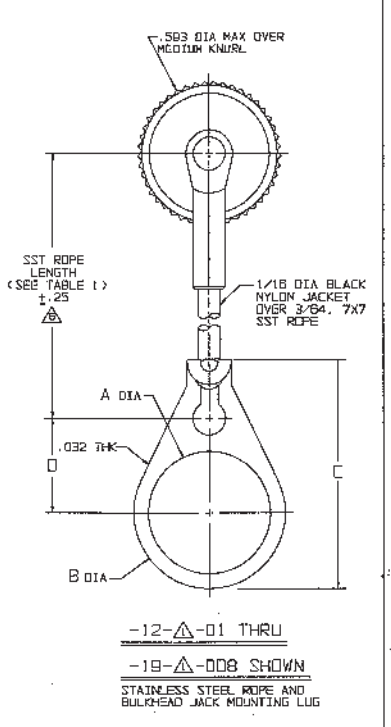
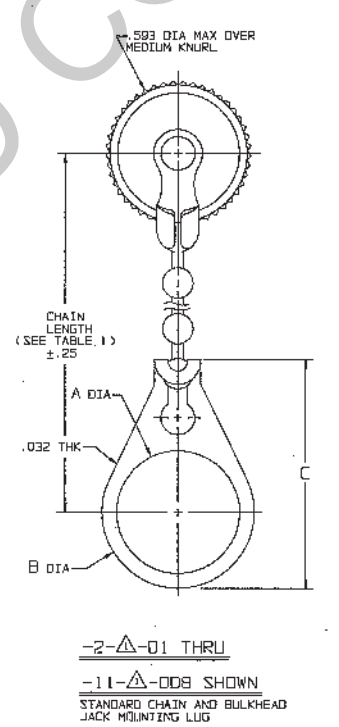
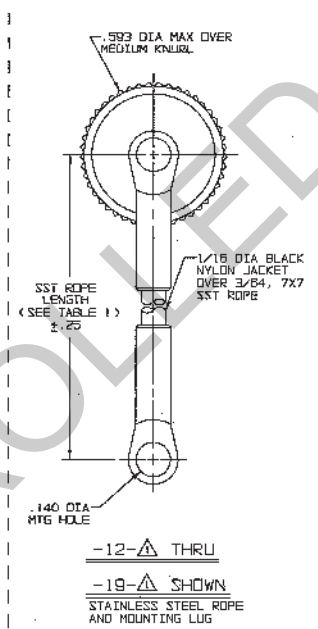
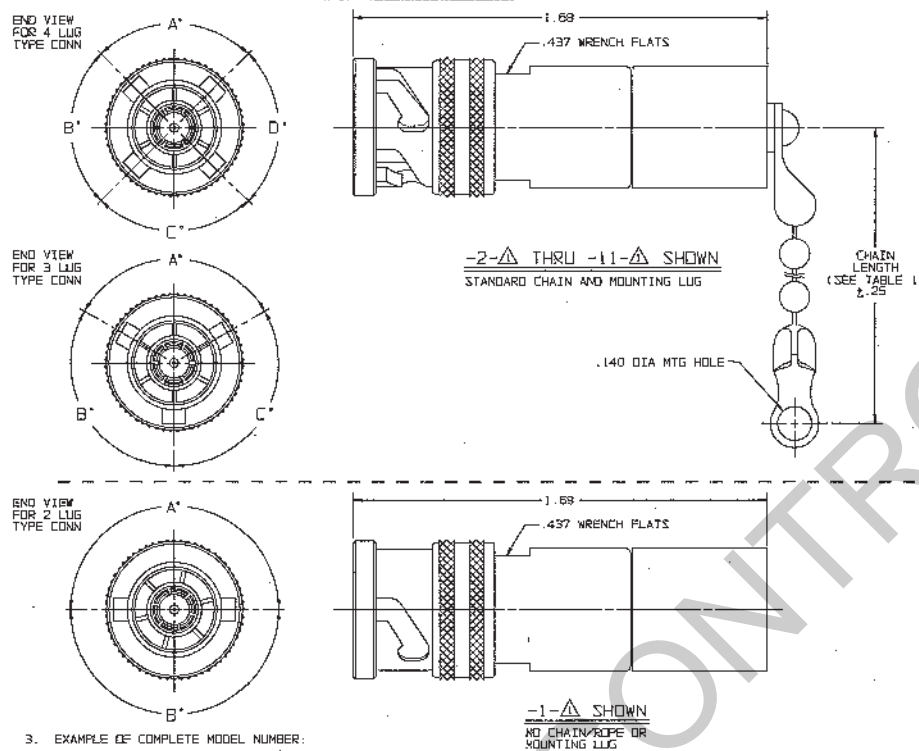
TABLE 2					
MODEL NO	TYPE CONN	POLARIZATION			
		A DEGREE	B DEGREE	C DEGREE	D DEGREE
TNG1	3 LUG	120*	120*	120*	---
TNGFL1	4 LUG	90*	90*	90*	90*
TNGTL1	2 LUG	180*	180*	---	---
TNGIT	3 LUG	100*	150*	110*	---
TNGIU		120*	130*	110*	---
TNGIV		115*	130*	115*	---
TNGIY		125*	110*	125*	---
TNGIX		130*	100*	130*	---
TNGIY	110*	140*	110*	---	
TNGIZ	100*	160*	100*	---	
TNGIS	135*	135*	90*	---	

TABLE 3				
DASH NO	*A" DIA	*B" DIA	*C" DIM	*D" DIM
-01	.755	.875	1.191	.512
-02	.830	.750	1.066	.450
-03	.505	.625	.841	.388
-04	.439	.562	.878	.355
-05	.380	.500	.816	.325
-06	.317	.437	.753	.295
-07	.281	.406	.722	.278
-08	.810	.750	1.066	.450
-09	.567	.687	1.003	.419
-10	.192	.312	.628	.231
-008	.330	.450	.766	.300

DATA CONTAINED ON THIS DOCUMENT IS PROPRIETARY TO TROMPETER ELECTRONICS, INC. AND SHALL NOT BE DISCLOSED, COPIED OR USED IN ANY MANNER WITHOUT THE WRITTEN PERMISSION OF TROMPETER ELECTRONICS, INC.

REVISIONS				310-0033	SH 1C
REV	DESCRIPTION	DATE	APPROVED		
AG	REVISED PER ECO 16890	2/1/09	<i>M. G.</i>		

RED INDICATES ORIGINAL



3. EXAMPLE OF COMPLETE MODEL NUMBER:

TNG1 I -3-Δ-02

BASIC MODEL NUMBER (SEE TABLE 2)

BULKHEAD JACK MOUNTING LUG (OPTIONAL) ONLY AVAILABLE WITH BRASS OR NYLON CHAIN OR SST ROPE (SEE TABLE 3)

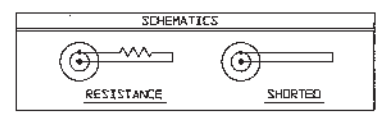
DASH NUMBER, FOR CHAIN/ROPE MATERIAL AND LENGTH (SEE TABLE 1)

2. 2, 3 AND 4 LUG CONCENTRIC TWINAX/TRIAX TERMINATION PLUG WITH CHAIN, SST ROPE AND MOUNTING LUG OPTIONS

Δ RESISTANCE VALUE IN OHMS, 1/2W, 1%. \*S\* = CONTACT SHORTED TO INNER SHIELD (NO RESISTOR) \*0\* = LOOSELY ASSEMBLED (NO RESISTOR)

Δ NOTE THAT LENGTH FOR SST ROPE WITH MOUNTING LUG OPTION IS NOT MEASURED TO CENTER OF BULKHEAD MOUNTING LUG

Δ POLARIZATION LETTER, NONE REQUIRED FOR STANDARD POLARIZATION LETTER CODE (SEE TABLE 2)



UNLESS SPECIFIED ALL DIMENSIONS ARE IN INCHES UNLESS OTHERWISE SPECIFIED		TITL, UNLESS SPECIFIED .XXX ± .04 .XXX ± .010 .XXX ANGLES		TROMPETER RF connectivity a circuit connectivity solutions brand	
DRAWN	DATE	MATERIAL	TITLE	SIZE	DRAWING NO.
M.S.	3-24-09		TNG1/TNGFL1/TNGTL1/TNGIT;U,V,W,X,Y,Z & S	A 14949	310-0033
CHECKED	DATE	FINISH	SCALE	DATE	REV
	3-30-09		4/1	7-15-08	AG
APPROVED	DATE	SCALE	DATE	SHEET	1C
	3-30-09	4/1	7-15-08	1C	

NEXT ASSY 310-0033AG 01 NOT SCALE DIM