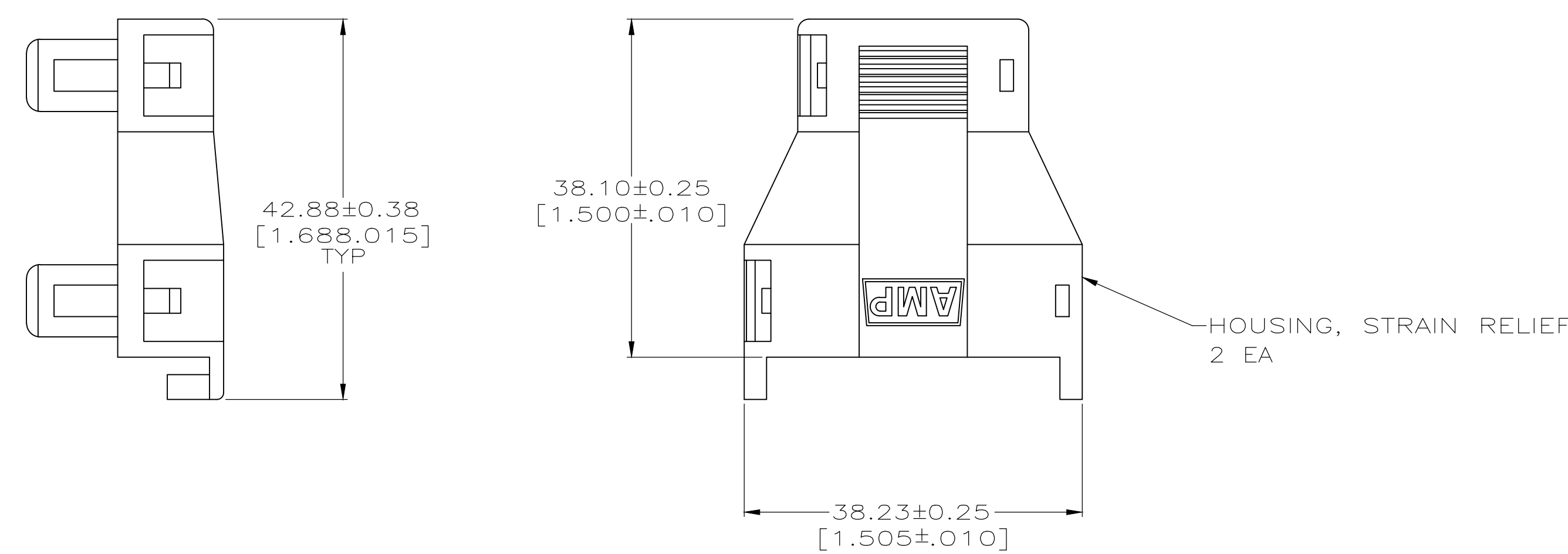
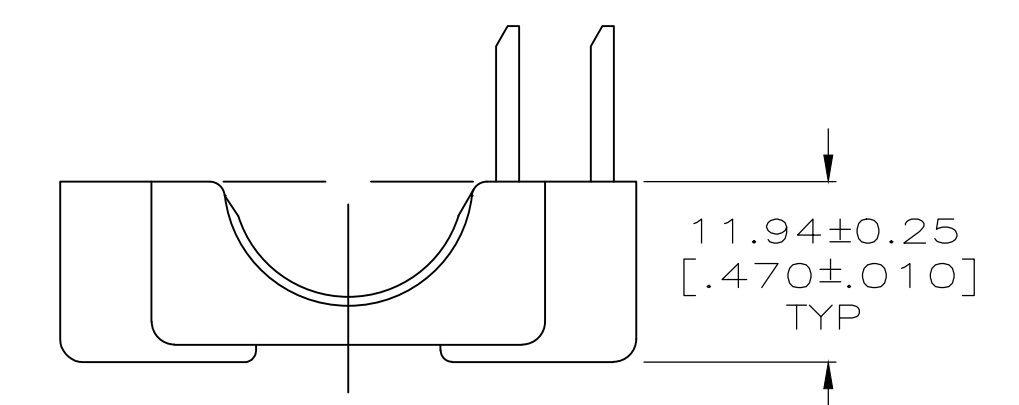
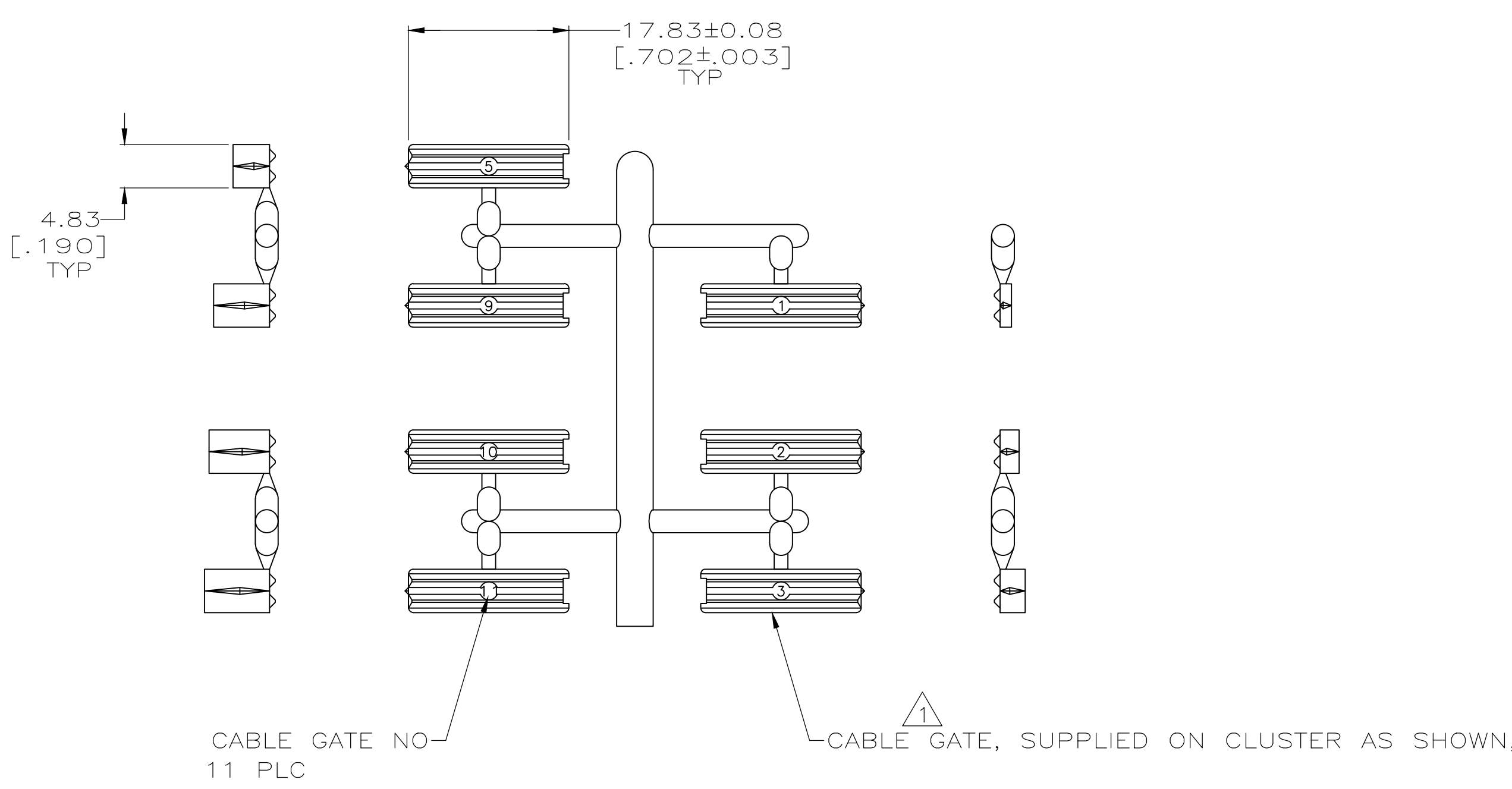
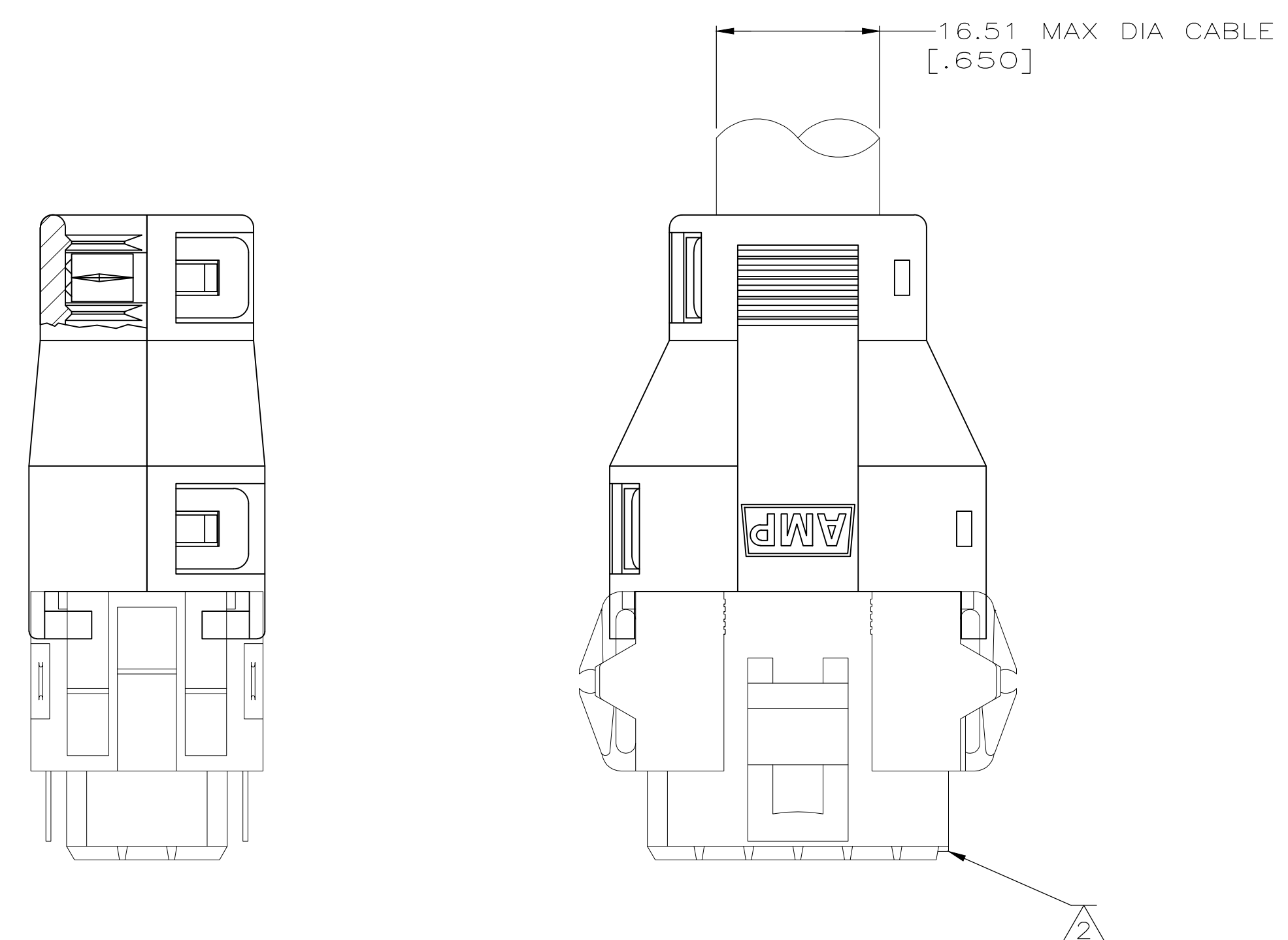
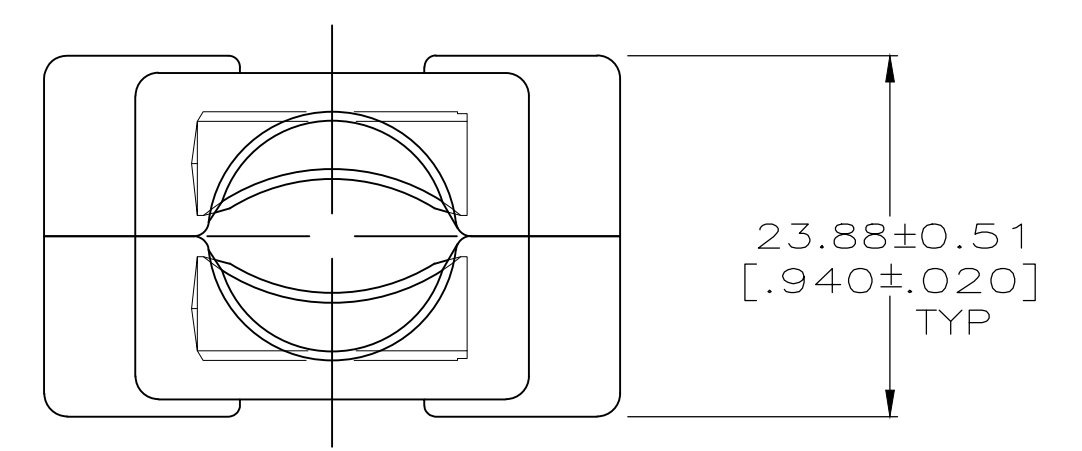


| REVISIONS | | | | |
|-----------|-----|---------------------------|-----------|-------|
| P | LTR | DESCRIPTION | DATE | APPV |
| E | | REVISED PER ECO-20-002047 | 24FEB2020 | RK MZ |



- ▲ A VARIETY OF CABLE GATES ARE PROVIDED TO ACCOMMODATE A VARIETY OF CUSTOMER CABLE SIZES.
- ▲ PLUG SHOWN FOR REFERENCE ONLY. STRAIN RELIEF CAN BE USED ON EITHER PLUG OR RECEPTACLE.
- ▲ HOUSING MATERIAL: PA66, BLACK, UL 94 V-0 RATED

207603-1
PART NUMBER

| | | | | |
|--|--------------|-----------------------------|-----------------|---------------|
| THIS DRAWING IS A CONTROLLED DOCUMENT. | | DIN J. McCLINTON 1-25-92 | TE Connectivity | |
| DIMENSIONS: INCHES | | CHK R. STONE 1-29-92 | APVD | |
| TOLERANCES UNLESS OTHERWISE SPECIFIED: | | NAME | | |
| 0. PLC | ± .005 | PRODUCT SPEC | | |
| 1. PLC | ± .005 | 108-10033 | | |
| 2. PLC | ± 0.13[.005] | APPLICATION SPEC | | |
| 3. PLC | ± .005 | SIZE | | |
| 4. PLC | ± .005 | CAGE CODE | | |
| ANGLES | ± .005 | DRAWING NO. | | |
| MATERIAL | FINISH | WEIGHT | | RESTRICTED TO |
| | | A1 00779 C=207603 | | |
| CUSTOMER DRAWING | | SCALE | SHEET | REV |
| | | 2:1 | 1 OF 1 | E |