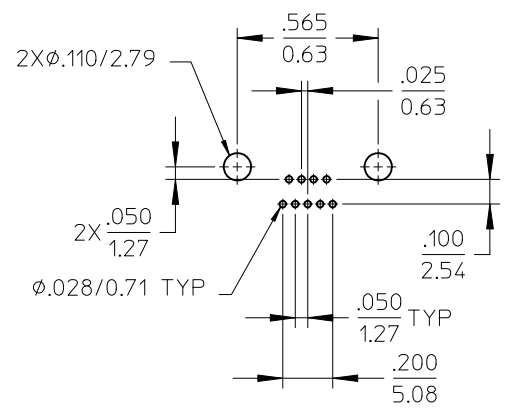
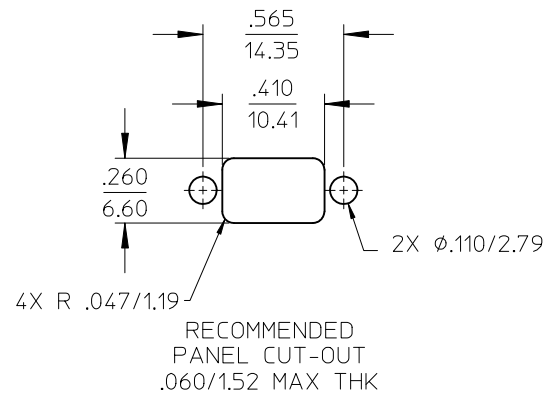
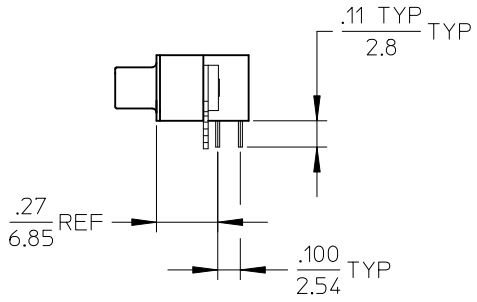
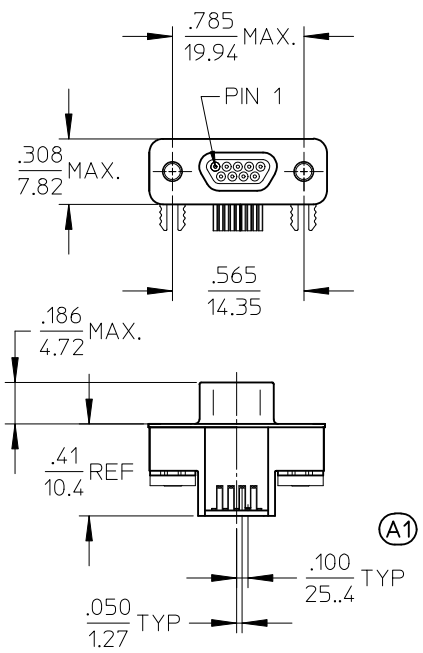


|              |            |
|--------------|------------|
| MATERIAL NO. | ENG. NO.   |
| 836119204    | 83611-9204 |



SALES DRAWING

NOTES:  
 1) REFER TO PS-83421-9000 FOR PRODUCT SPEC.  
 2) USERS SHOULD DETERMINE THE FUNCTIONALITY OF THIS PRODUCT WITHIN THEIR APPLICATION.

|  |                          |  |  |              |   |                        |
|--|--------------------------|--|--|--------------|---|------------------------|
| ADD MISSING DIM.<br>EC NO: WNA2010-0482<br>DRW: RUPERT 2010/07/09<br>CHK: B. RUPERT 2010/04/21<br>APPR: J. MURPHY 2010/04/21 | QUALITY SYMBOLS          | GENERAL TOLERANCES (UNLESS SPECIFIED)  | DIMENSION STYLE  | SCALE        | DESIGN UNITS  | THIRD ANGLE PROJECTION |
|  | $\nabla=0$<br>$\nabla=0$ | mm INCH<br>4 PLACES ± --- ± ---<br>3 PLACES ± --- ± .010<br>2 PLACES ± 0.02 ± .020<br>1 PLACE ± 0.5 ± ---<br>ANGULAR ± 1 ° | IN/MM  | 2:1          | INCH  |                        |
|  | DESCRIPTION              | DRAFT WHERE APPLICABLE MUST REMAIN WITHIN DIMENSIONS   | DRAWN BY DATE<br>JAL 03/11/04<br>CHECKED BY DATE<br>JJP 03/11/06<br>APPROVED BY DATE<br>RWD 03/11/06 | TITLE        | CONNECTOR COMM.D PLUG<br>RIGHT ANGLE W/O JACKPOST<br>SIZE 9 |                        |
|  | REV                      |  | MATERIAL NO.   | DOCUMENT NO. | MOLEX INCORPORATED<br>SD-83611-009                          |                        |

THIS DRAWING CONTAINS INFORMATION THAT IS PROPRIETARY TO MOLEX INCORPORATED AND SHOULD NOT BE USED WITHOUT WRITTEN PERMISSION