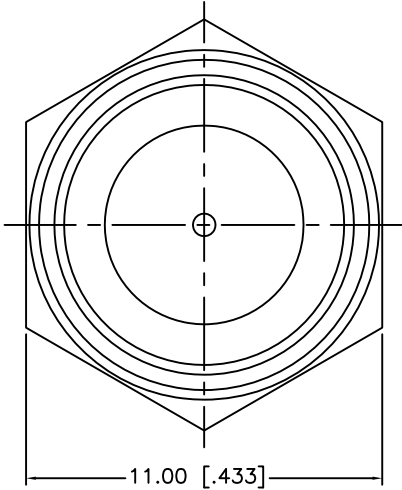
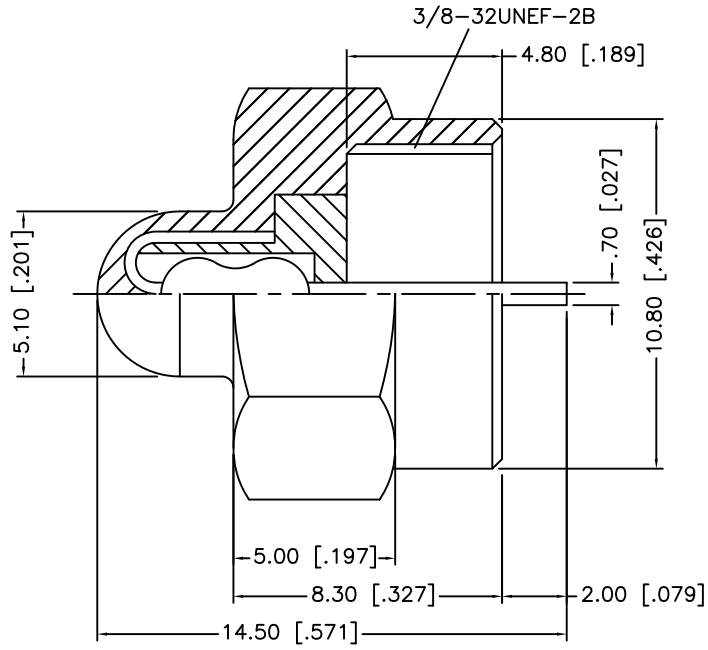


REV.	DATE	ECR#	DESCRIPTION
A	04/09/03	-----	UPDATE PART DESCRIPTION
B	07/29/06	-----	REVISE CONTACT PIN PLATING TO NICKEL
C	06/19/14	2759	INSULATOR MATERIAL WAS TEFLON



- NOTES:
1. RESISTOR: 75ohms - 1/8 WATT 1%
 2. FREQUENCY: 0 - 3 Ghz
 3. RETURN LOSS: 30 dB AT 1 Ghz

REV.	DESCRIPTION	MATERIAL	FINISH	QTY	APPROVALS	DATE	Amphenol Connex				
8							F MALE TERMINATOR PART NO. 222154				
7											
6											
5											
4							PART NO. 222154				
3	INSULATOR	DELRIN	NATURAL	1							
2	CONTACT PIN	STEEL	NICKEL	1			PART NO. 222154				
1	HOUSING/BODY	DIECAST	NICKEL	1							
	DESCRIPTION	MATERIAL	FINISH	QTY	DO NOT SCALE DRAWING		CAD FILE	DWG. NO.	REV.	SIZE	SCALE
							C:/222/222154.DWG	222154.DWG	C	A	NA

UNLESS OTHERWISE SPECIFIED DIMENSIONS ARE IN MILLIMETERS. DIMENSIONS IN [] ARE IN INCHES AND FOR CUSTOMER REFERENCE ONLY.

UNLESS OTHERWISE SPECIFIED TOLERANCES FOR MILLIMETERS ARE:
 0.5 - 8mm ± 0.20mm
 8 - 30mm ± 0.40mm
 30 - 120mm ± 0.50mm

UNLESS OTHERWISE SPECIFIED TOLERANCES FOR INCHES ARE:
 .020 - .315 = ± 0.007"
 .315 - 1.180 = ± 0.015"
 1.180 - 4.724 = ± 0.020"