

# Single-/Dual-/Triple-Voltage $\mu$ P Supervisory Circuits with Independent Watchdog Output

## General Description

The MAX6730-MAX6735 single-/dual-/triple-voltage microprocessor ( $\mu$ P) supervisors feature a watchdog timer and manual reset capability. The MAX6730-MAX6735 offer factory-set reset thresholds for monitoring voltages from +0.9V to +5V and an adjustable reset input for monitoring voltages down to +0.63V. The combination of these features significantly improves system reliability and accuracy when compared to separate ICs or discrete components.

The active-low reset output asserts and remains asserted for the reset timeout period after all the monitored voltages exceed their respective thresholds. Multiple factory-set reset threshold combinations reduce the number of external components required. The MAX6730/MAX6731 monitor a single fixed voltage, the MAX6732/MAX6733 monitor two fixed voltages, and the MAX6734/MAX6735 monitor two fixed voltages and one adjustable voltage. All devices are offered with six minimum reset timeout periods ranging from 1.1ms to 1120ms.

The MAX6730-MAX6735 feature a watchdog timer with an independent watchdog output. The watchdog timer prevents system lockup during code execution errors. A watchdog startup delay of 54s after reset asserts allows system initialization during power-up. The watchdog operates in normal mode with a 1.68s delay after initialization. The MAX6730/MAX6732/MAX6734 provide an active-low, open-drain watchdog output. The MAX6731/MAX6733/MAX6735 provide an active-low, push-pull watchdog output.

Other features include a manual reset input (MAX6730/MAX6731/MAX6734/MAX6735) and push-pull reset output (MAX6731/MAX6733/MAX6735) or open-drain reset output (MAX6730/MAX6732/MAX6734). The MAX6730-MAX6733 are offered in a tiny SOT23-6 package. The MAX6734/MAX6735 are offered in a space-saving SOT23-8 package. All devices are fully specified over the extended -40°C to +85°C temperature range.

## Applications

Multivoltage Systems  
Telecom/Networking Equipment  
Computers/Servers  
Portable/Battery-Operated Equipment  
Industrial Equipment  
Printer/Fax  
Set-Top Boxes

Typical Operating Circuit and Pin Configurations appear at end of data sheet.



## Features

- ◆ VCC1 (Primary Supply) Reset Threshold Voltages from +1.575V to +4.63V
- ◆ VCC2 (Secondary Supply) Reset Threshold Voltages from +0.79V to +3.08V
- ◆ Adjustable RSTIN Threshold for Monitoring Voltages Down to +0.63V (MAX6734/MAX6735 Only)
- ◆ Six Reset Timeout Options
- ◆ Watchdog Timer with Independent Watchdog Output  
35s (min) Initial Watchdog Startup Period  
1.12s (min) Normal Watchdog Timeout Period
- ◆ Manual Reset Input (MAX6730/MAX6731/MAX6734/MAX6735)
- ◆ Guaranteed Reset Valid down to VCC1 or VCC2 = +0.8V
- ◆ Push-Pull  $\overline{\text{RESET}}$  or Open-Drain  $\overline{\text{RESET}}$  Output
- ◆ Immune to Short VCC Transients
- ◆ Low Supply Current: 14 $\mu$ A (typ) at +3.6V
- ◆ Small 6-Pin and 8-Pin SOT23 Packages

## Ordering Information

PART*	TEMP RANGE	PIN-PACKAGE
MAX6730UT_D_-T	-40°C to +85°C	6 SOT23-6
MAX6731UT_D_-T	-40°C to +85°C	6 SOT23-6
MAX6732UT__D_-T	-40°C to +85°C	6 SOT23-6
MAX6733UT__D_-T	-40°C to +85°C	6 SOT23-6
MAX6734KA__D_-T	-40°C to +85°C	8 SOT23-8
MAX6735KA__D_-T	-40°C to +85°C	8 SOT23-8

\*Insert the threshold level suffixes for VCC1 and VCC2 (Table 1) after "UT" or "KA." For the MAX6730/MAX6731, insert only the VCC1 threshold suffix after the "UT." Insert the reset timeout delay (Table 2) after "D" to complete the part number. For example, the MAX6732UTLTD3-T provides a VCC1 threshold of +4.625V, a VCC2 threshold of +3.075V, and a 210ms reset timeout period. Sample stock is generally held on standard versions only (see the Standard Versions table). Standard versions have an order increment requirement of 2500 pieces. Nonstandard versions have an order increment requirement of 10,000 pieces. Contact factory for availability.

Devices are available in both leaded and lead-free packaging. Specify lead-free by replacing "-T" with "+T" when ordering.

# Single-/Dual-/Triple-Voltage $\mu$ P Supervisory Circuits with Independent Watchdog Output

## ABSOLUTE MAXIMUM RATINGS

$V_{CC1}$ ,  $V_{CC2}$ , RSTIN,  $\overline{MR}$ , WDI to GND .....-0.3V to +6V  
 $\overline{RST}$ ,  $\overline{WDO}$  to GND (open drain) .....-0.3V to +6V  
 $\overline{RST}$ ,  $\overline{WDO}$  to GND (push-pull) .....-0.3V to ( $V_{CC1} + 0.3$ V)  
 Input Current/Output Current (all pins) .....20mA  
 Continuous Power Dissipation ( $T_A = +70^\circ\text{C}$ )  
   6-Pin SOT23-6 (derate 8.7mW/ $^\circ\text{C}$  above +70 $^\circ\text{C}$ ) .....696mW  
   8-Pin SOT23-8 (derate 8.9mW/ $^\circ\text{C}$  above +70 $^\circ\text{C}$ ) .....714mW

Operating Temperature Range .....-40 $^\circ\text{C}$  to +85 $^\circ\text{C}$   
 Storage Temperature Range .....-65 $^\circ\text{C}$  to +150 $^\circ\text{C}$   
 Junction Temperature .....+150 $^\circ\text{C}$   
 Lead Temperature (soldering, 10s) .....+300 $^\circ\text{C}$

Stresses beyond those listed under "Absolute Maximum Ratings" may cause permanent damage to the device. These are stress ratings only, and functional operation of the device at these or any other conditions beyond those indicated in the operational sections of the specifications is not implied. Exposure to absolute maximum rating conditions for extended periods may affect device reliability.

## ELECTRICAL CHARACTERISTICS

( $V_{CC1} = V_{CC2} = +0.8\text{V}$  to +5.5V,  $T_A = -40^\circ\text{C}$  to +85 $^\circ\text{C}$ , unless otherwise noted. Typical values are at  $T_A = +25^\circ\text{C}$ .) (Note 1)

PARAMETER	SYMBOL	CONDITIONS	MIN	TYP	MAX	UNITS
Supply Voltage	$V_{CC1}$ , $V_{CC2}$		0.8		5.5	V
Supply Current	$I_{CC1}$	$V_{CC1} < +5.5\text{V}$ , all I/O connections open, outputs not asserted		15	39	$\mu\text{A}$
		$V_{CC1} < +3.6\text{V}$ , all I/O connections open, outputs not asserted		10	28	
	$I_{CC2}$	$V_{CC2} < +3.6\text{V}$ , all I/O connections open, outputs not asserted		4	11	
		$V_{CC2} < +2.75\text{V}$ , all I/O connections open, outputs not asserted		3	9	
$V_{CC1}$ Reset Threshold	$V_{TH1}$	L (falling)	4.500	4.625	4.750	V
		M (falling)	4.250	4.375	4.500	
		T (falling)	3.000	3.075	3.150	
		S (falling)	2.850	2.925	3.000	
		R (falling)	2.550	2.625	2.700	
		Z (falling)	2.250	2.313	2.375	
		Y (falling)	2.125	2.188	2.250	
		W (falling)	1.620	1.665	1.710	
V (falling)	1.530	1.575	1.620			

# Single-/Dual-/Triple-Voltage $\mu$ P Supervisory Circuits with Independent Watchdog Output

MAX6730-MAX6735

## ELECTRICAL CHARACTERISTICS (continued)

( $V_{CC1} = V_{CC2} = +0.8V$  to  $+5.5V$ ,  $T_A = -40^\circ C$  to  $+85^\circ C$ , unless otherwise noted. Typical values are at  $T_A = +25^\circ C$ .) (Note 1)

PARAMETER	SYMBOL	CONDITIONS	MIN	TYP	MAX	UNITS
V <sub>CC2</sub> Reset Threshold	V <sub>TH2</sub>	T (falling)	3.000	3.075	3.150	V
		S (falling)	2.850	2.925	3.000	
		R (falling)	2.550	2.625	2.700	
		Z (falling)	2.250	2.313	2.375	
		Y (falling)	2.125	2.188	2.250	
		W (falling)	1.620	1.665	1.710	
		V (falling)	1.530	1.575	1.620	
		I (falling)	1.350	1.388	1.425	
		H (falling)	1.275	1.313	1.350	
		G (falling)	1.080	1.110	1.140	
		F (falling)	1.020	1.050	1.080	
		E (falling)	0.810	0.833	0.855	
D (falling)	0.765	0.788	0.810			
Reset Threshold Tempco				20		ppm/ $^\circ C$
Reset Threshold Hysteresis	V <sub>HYST</sub>	Referenced to V <sub>TH</sub> typical		0.5		%
V <sub>CC_</sub> to $\overline{RST}$ Output Delay	t <sub>RD</sub>	V <sub>CC1</sub> = (V <sub>TH1</sub> + 100mV) to (V <sub>TH1</sub> - 100mV) or V <sub>CC2</sub> = (V <sub>TH2</sub> + 75mV) to (V <sub>TH2</sub> - 75mV)		45		$\mu s$
Reset Timeout Period	t <sub>RP</sub>	D1	1.1	1.65	2.2	ms
		D2	8.8	13.2	17.6	
		D3	140	210	280	
		D5	280	420	560	
		D6	560	840	1120	
		D4	1120	1680	2240	
<b>ADJUSTABLE RESET COMPARATOR INPUT (MAX6734/MAX6735)</b>						
RSTIN Input Threshold	V <sub>RSTIN</sub>		611	626.5	642	mV
RSTIN Input Current	I <sub>RSTIN</sub>		-25		+25	nA
RSTIN Hysteresis				3		mV
RSTIN to Reset Output Delay	t <sub>RSTIND</sub>	V <sub>RSTIN</sub> to (V <sub>RSTIN</sub> - 30mV)		22		$\mu s$
<b>MANUAL RESET INPUT (MAX6730/MAX6731/MAX6734/MAX6735)</b>						
$\overline{MR}$ Input Threshold	V <sub>IL</sub>			0.3 $\times$ V <sub>CC1</sub>		V
	V <sub>IH</sub>		0.7 $\times$ V <sub>CC1</sub>			
$\overline{MR}$ Minimum Pulse Width			1			$\mu s$
$\overline{MR}$ Glitch Rejection				100		ns
$\overline{MR}$ to Reset Output Delay	t <sub>MR</sub>			200		ns
$\overline{MR}$ Pullup Resistance			25	50	80	k $\Omega$

# Single-/Dual-/Triple-Voltage $\mu$ P Supervisory Circuits with Independent Watchdog Output

## ELECTRICAL CHARACTERISTICS (continued)

( $V_{CC1} = V_{CC2} = +0.8V$  to  $+5.5V$ ,  $T_A = -40^\circ C$  to  $+85^\circ C$ , unless otherwise noted. Typical values are at  $T_A = +25^\circ C$ .) (Note 1)

PARAMETER	SYMBOL	CONDITIONS	MIN	TYP	MAX	UNITS
<b>WATCHDOG INPUT</b>						
Watchdog Timeout Period	tWD-L	First watchdog period after reset timeout period	35	54	72	s
	tWD-S	Normal mode	1.12	1.68	2.24	
WDI Pulse Width	tWDI	(Note 2)	50			ns
WDI Input Voltage	V <sub>IL</sub>				0.3 × V <sub>CC1</sub>	V
	V <sub>IH</sub>		0.7 × V <sub>CC1</sub>			
WDI Input Current	I <sub>WDI</sub>	WDI = 0 or V <sub>CC1</sub>	-1		+1	μA
<b>RESET/WATCHDOG OUTPUT</b>						
$\overline{RST}/\overline{WDO}$ Output Low Voltage (Push-Pull or Open Drain)	V <sub>OL</sub>	V <sub>CC1</sub> or V <sub>CC2</sub> ≥ +0.8V, I <sub>SINK</sub> = 1μA, output asserted			0.3	V
		V <sub>CC1</sub> or V <sub>CC2</sub> ≥ +1.0V, I <sub>SINK</sub> = 50μA, output asserted			0.3	
		V <sub>CC1</sub> or V <sub>CC2</sub> ≥ +1.2V, I <sub>SINK</sub> = 100μA, output asserted			0.3	
		V <sub>CC1</sub> or V <sub>CC2</sub> ≥ +2.7V, I <sub>SINK</sub> = 1.2mA, output asserted			0.3	
		V <sub>CC1</sub> or V <sub>CC2</sub> ≥ +4.5V, I <sub>SINK</sub> = 3.2mA, output asserted			0.4	
$\overline{RST}/\overline{WDO}$ Output High Voltage (Push-Pull Only)	V <sub>OH</sub>	V <sub>CC1</sub> ≥ +1.8V, I <sub>SOURCE</sub> = 200μA, output not asserted	0.8 × V <sub>CC1</sub>			V
		V <sub>CC1</sub> ≥ +2.7V, I <sub>SOURCE</sub> = 500μA, output not asserted	0.8 × V <sub>CC1</sub>			
		V <sub>CC1</sub> ≥ +4.5V, I <sub>SOURCE</sub> = 800μA, output not asserted	0.8 × V <sub>CC1</sub>			
$\overline{RST}/\overline{WDO}$ Output Open-Drain Leakage Current		Output not asserted			0.5	μA

**Note 1:** Devices tested at  $T_A = +25^\circ C$ . Overtemperature limits are guaranteed by design and not production tested.

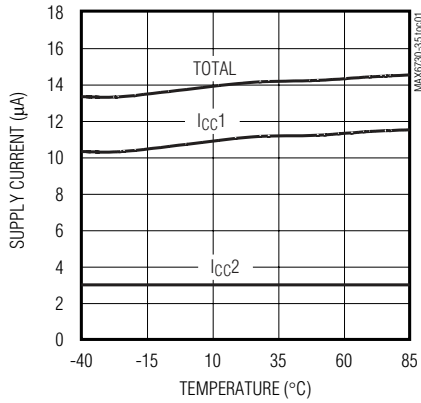
**Note 2:** Parameter guaranteed by design.

# Single-/Dual-/Triple-Voltage $\mu$ P Supervisory Circuits with Independent Watchdog Output

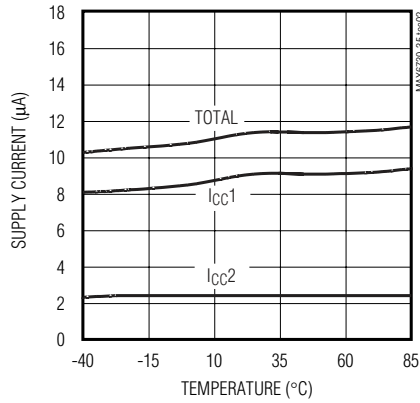
## Typical Operating Characteristics

( $V_{CC1} = +5V$ ,  $V_{CC2} = +3.3V$ ,  $T_A = +25^\circ C$ , unless otherwise noted.)

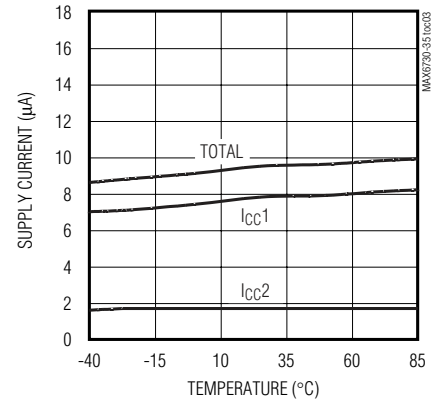
**SUPPLY CURRENT vs. TEMPERATURE**  
( $V_{CC1} = +5V$ ,  $V_{CC2} = +3.3V$ )



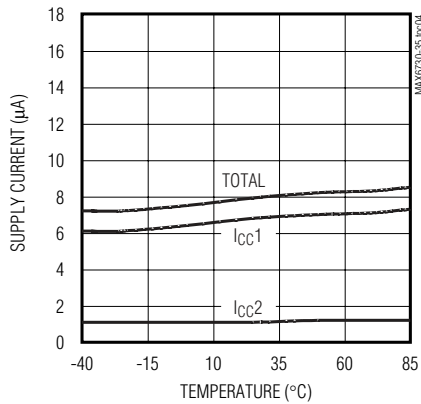
**SUPPLY CURRENT vs. TEMPERATURE**  
( $V_{CC1} = +3.3V$ ,  $V_{CC2} = +2.5V$ )



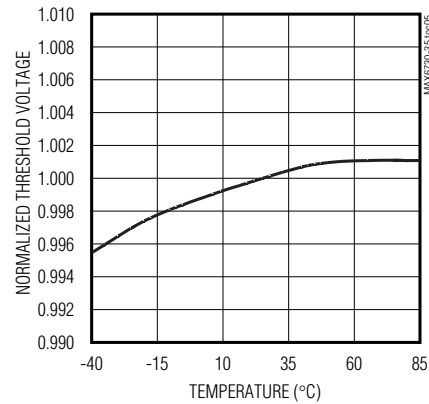
**SUPPLY CURRENT vs. TEMPERATURE**  
( $V_{CC1} = +2.5V$ ,  $V_{CC2} = +1.8V$ )



**SUPPLY CURRENT vs. TEMPERATURE**  
( $V_{CC1} = +1.8V$ ,  $V_{CC2} = +1.2V$ )



**NORMALIZED THRESHOLD VOLTAGE vs. TEMPERATURE**

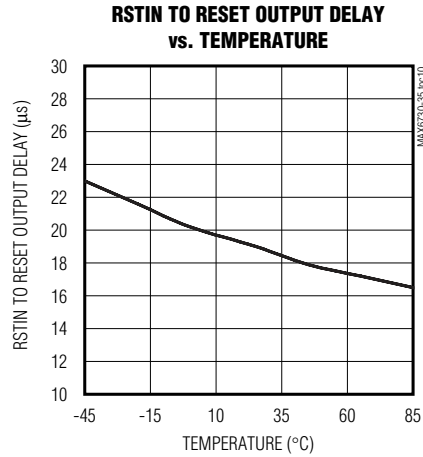
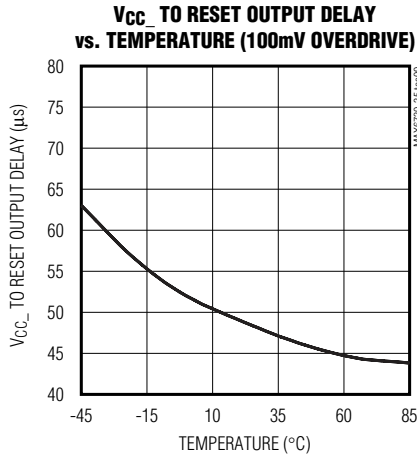
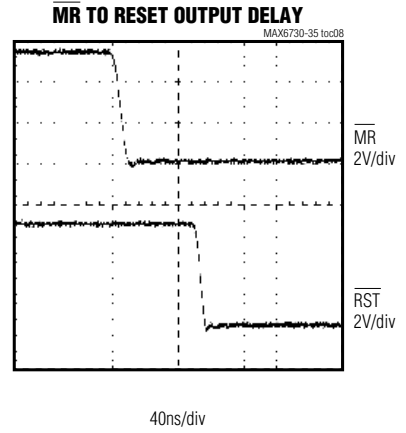
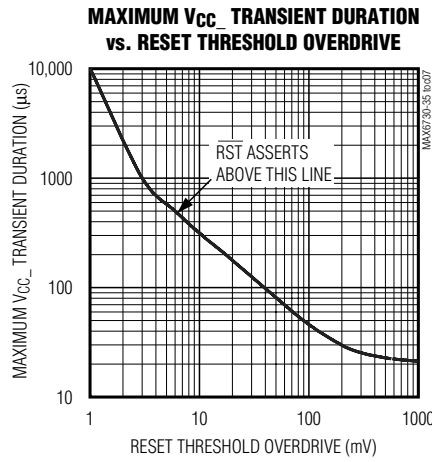
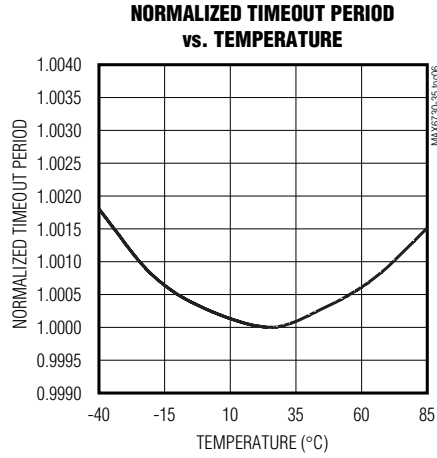


MAX6730-MAX6735

# Single-/Dual-/Triple-Voltage $\mu$ P Supervisory Circuits with Independent Watchdog Output

## Typical Operating Characteristics (continued)

( $V_{CC1} = +5V$ ,  $V_{CC2} = +3.3V$ ,  $T_A = +25^\circ C$ , unless otherwise noted.)



# Single-/Dual-/Triple-Voltage $\mu$ P Supervisory Circuits with Independent Watchdog Output

## Pin Description

MAX6730-MAX6735

PIN			NAME	FUNCTION
MAX6730 MAX6731	MAX6732 MAX6733	MAX6734 MAX6735		
1	1	1	$\overline{\text{RST}}$	Active-Low Reset Output. The MAX6730/MAX6732/MAX6734 provide an open-drain output. The MAX6731/MAX6733/MAX6735 provide a push-pull output. $\overline{\text{RST}}$ asserts low when any of the following conditions occur: $V_{\text{CC1}}$ or $V_{\text{CC2}}$ drops below its preset threshold, $\text{RSTIN}$ drops below its reset threshold, or $\overline{\text{MR}}$ is driven low. Open-drain versions require an external pullup resistor.
2	2	2	GND	Ground
3	3	4	$\overline{\text{WDO}}$	Active-Low Watchdog Output. The MAX6730/MAX6732/MAX6734 provide an open-drain $\overline{\text{WDO}}$ output. The MAX6731/MAX6733/MAX6735 provide a push-pull $\overline{\text{WDO}}$ output. $\overline{\text{WDO}}$ asserts low when no low-to-high or high-to-low transition occurs on WDI within the watchdog timeout period ( $t_{\text{WD}}$ ) or if an undervoltage lockout condition exists for $V_{\text{CC1}}$ , $V_{\text{CC2}}$ , or $\text{RSTIN}$ . $\overline{\text{WDO}}$ deasserts without a timeout period when $V_{\text{CC1}}$ , $V_{\text{CC2}}$ , and $\text{RSTIN}$ exceed their reset thresholds, or when the manual reset input is deasserted. Open-drain versions require an external pullup resistor.
4	—	5	$\overline{\text{MR}}$	Active-Low Manual Reset Input. Drive $\overline{\text{MR}}$ low to force a reset. $\overline{\text{RST}}$ remains asserted as long as $\overline{\text{MR}}$ is low and for the reset timeout period after $\overline{\text{MR}}$ releases high. $\overline{\text{MR}}$ has a 50k $\Omega$ pullup resistor to $V_{\text{CC1}}$ ; leave $\overline{\text{MR}}$ open or connect to $V_{\text{CC1}}$ if unused.
5	5	3	WDI	Watchdog Input. If WDI remains high or low for longer than the watchdog timeout period, the internal watchdog timer expires and the watchdog output asserts low. The internal watchdog timer clears whenever $\overline{\text{RST}}$ asserts or a rising or falling edge on WDI is detected. The watchdog has an initial watchdog timeout period (35s min) after each reset event and a short timeout period (1.12s min) after the first valid WDI transition. Floating WDI does not disable the watchdog timer function.
6	6	8	$V_{\text{CC1}}$	Primary Supply-Voltage Input. $V_{\text{CC1}}$ provides power to the device when it is greater than $V_{\text{CC2}}$ . $V_{\text{CC1}}$ is the input to the primary reset threshold monitor.
—	4	6	$V_{\text{CC2}}$	Secondary Supply-Voltage Input. $V_{\text{CC2}}$ provides power to the device when it is greater than $V_{\text{CC1}}$ . $V_{\text{CC2}}$ is the input to the secondary reset threshold monitor.
—	—	7	$\text{RSTIN}$	Undervoltage Reset Comparator Input. $\text{RSTIN}$ provides a high-impedance comparator input for the adjustable reset monitor. $\overline{\text{RST}}$ asserts low if the voltage at $\text{RSTIN}$ drops below the 626mV internal reference voltage. Connect a resistive voltage-divider to $\text{RSTIN}$ to monitor voltages higher than 626mV. Connect $\text{RSTIN}$ to $V_{\text{CC1}}$ or $V_{\text{CC2}}$ if unused.

# Single-/Dual-/Triple-Voltage $\mu$ P Supervisory Circuits with Independent Watchdog Output

Table 1. Reset Voltage Threshold Suffix Guide\*\*

PART NO. SUFFIX	V <sub>CC1</sub> NOMINAL VOLTAGE THRESHOLD(V)	V <sub>CC2</sub> NOMINAL VOLTAGE THRESHOLD (V)
<b>LT</b>	<b>4.625</b>	<b>3.075</b>
MS	4.375	2.925
MR	4.375	2.625
TZ	3.075	2.313
<b>SY</b>	<b>2.925</b>	<b>2.188</b>
RY	2.625	2.188
TW	3.075	1.665
<b>SV</b>	<b>2.925</b>	<b>1.575</b>
<b>RV</b>	<b>2.625</b>	<b>1.575</b>
TI	3.075	1.388
<b>SH</b>	<b>2.925</b>	<b>1.313</b>
RH	2.625	1.313
<b>TG</b>	<b>3.075</b>	<b>1.110</b>
SF	2.925	1.050
RF	2.625	1.050
TE	3.075	0.833
<b>SD</b>	<b>2.925</b>	<b>0.788</b>
RD	2.625	0.788
<b>ZW</b>	<b>2.313</b>	<b>1.665</b>
YV	2.188	1.575
ZI	2.313	1.388
<b>YH</b>	<b>2.188</b>	<b>1.313</b>
<b>ZG</b>	<b>2.313</b>	<b>1.110</b>
YF	2.188	1.050
ZE	2.313	0.833
<b>YD</b>	<b>2.188</b>	<b>0.788</b>
WI	1.665	1.388
<b>VH</b>	<b>1.575</b>	<b>1.313</b>
<b>WG</b>	<b>1.665</b>	<b>1.110</b>
VF	1.575	1.050
WE	1.665	0.833
<b>VD</b>	<b>1.575</b>	<b>0.788</b>

\*\*Standard versions are shown in bold and are available in a D3 timeout option only. Standard versions require 2500-piece order increments and are typically held in sample stock. There is a 10,000-piece order increment on nonstandard versions. **Other threshold voltages may be available; contact factory for availability.**

Table 2. Reset Timeout Period Suffix Guide

TIMEOUT PERIOD SUFFIX	ACTIVE TIMEOUT PERIOD	
	MIN (ms)	MAX (ms)
D1	1.1	2.2
D2	8.8	17.6
D3	140	280
D5	280	560
D6	560	1120
D4	1120	2240

## Detailed Description

### Supply Voltages

The MAX6730-MAX6735 microprocessor ( $\mu$ P) supervisors maintain system integrity by alerting the  $\mu$ P to fault conditions. The MAX6730-MAX6735 monitor one to three supply voltages in  $\mu$ P-based systems and assert an active-low reset output when any monitored supply voltage drops below its preset threshold. The output state remains valid for V<sub>CC1</sub> or V<sub>CC2</sub> greater than +0.8V.

### Threshold Levels

The two-letter code in the Reset Voltage Threshold Suffix Guide (Table 1) indicates the threshold level combinations for V<sub>CC1</sub> and V<sub>CC2</sub>.

### Reset Output

The MAX6730-MAX6735 feature an active-low reset output ( $\overline{\text{RST}}$ ).  $\overline{\text{RST}}$  asserts when the voltage at either V<sub>CC1</sub> or V<sub>CC2</sub> falls below the voltage threshold level, V<sub>RSTIN</sub> drops below its threshold, or  $\overline{\text{MR}}$  is driven low (Figure 1).  $\overline{\text{RST}}$  remains low for the reset timeout period (Table 2) after V<sub>CC1</sub>, V<sub>CC2</sub>, and RSTIN increase above their respective thresholds and after  $\overline{\text{MR}}$  releases high. Whenever V<sub>CC1</sub>, V<sub>CC2</sub>, or RSTIN go below the reset threshold before the end of the reset timeout period, the internal timer restarts. The MAX6730/MAX6732/ MAX6734 provide an open-drain  $\overline{\text{RST}}$  output, and the MAX6731/MAX6733/MAX6735 provide a push-pull  $\overline{\text{RST}}$  output.



# Single-/Dual-/Triple-Voltage $\mu$ P Supervisory Circuits with Independent Watchdog Output

MAX6730-MAX6735

## Manual Reset Input

Many  $\mu$ P-based products require manual reset capability, allowing the operator, a test technician, or external logic circuitry to initiate a reset. A logic low on  $\overline{\text{MR}}$  asserts the reset output, clears the watchdog timer, and deasserts the watchdog output. Reset remains asserted while  $\overline{\text{MR}}$  is low and for the reset timeout period ( $t_{\text{RP}}$ ) after  $\overline{\text{MR}}$  returns high. An internal 50k $\Omega$  pullup resistor allows  $\overline{\text{MR}}$  to be left open if unused. Drive  $\overline{\text{MR}}$  with TTL or CMOS-logic levels or with open-drain/collector outputs. Connect a normally open momentary switch from  $\overline{\text{MR}}$  to GND to create a manual reset function; external debounce circuitry is not required. Connect a 0.1 $\mu$ F capacitor from  $\overline{\text{MR}}$  to GND to provide additional noise immunity when driving  $\overline{\text{MR}}$  over long cables or if the device is used in a noisy environment.

## Adjustable Input Voltage (RSTIN)

The MAX6734/MAX6735 provide an additional high-impedance comparator input with a 626mV threshold to monitor a third supply voltage. To monitor a voltage higher than 626mV, connect a resistive-divider to the circuit as shown in Figure 2 to establish an externally controlled threshold voltage,  $V_{\text{EXT\_TH}}$ .

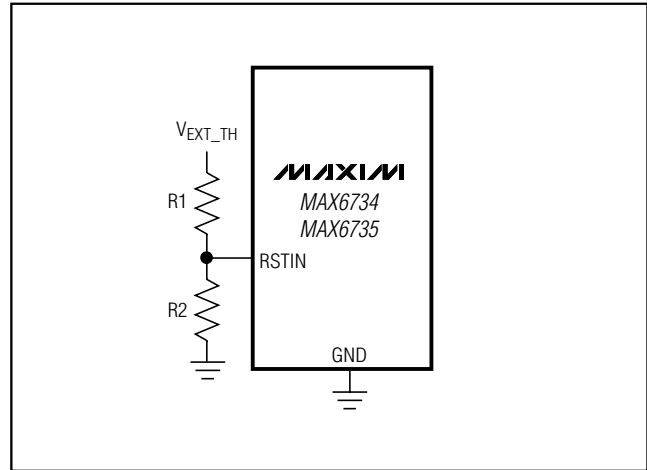


Figure 2. Monitoring a Third Voltage

$$V_{\text{EXT\_TH}} = 626\text{mV} \times \frac{(R1 + R2)}{R2}$$

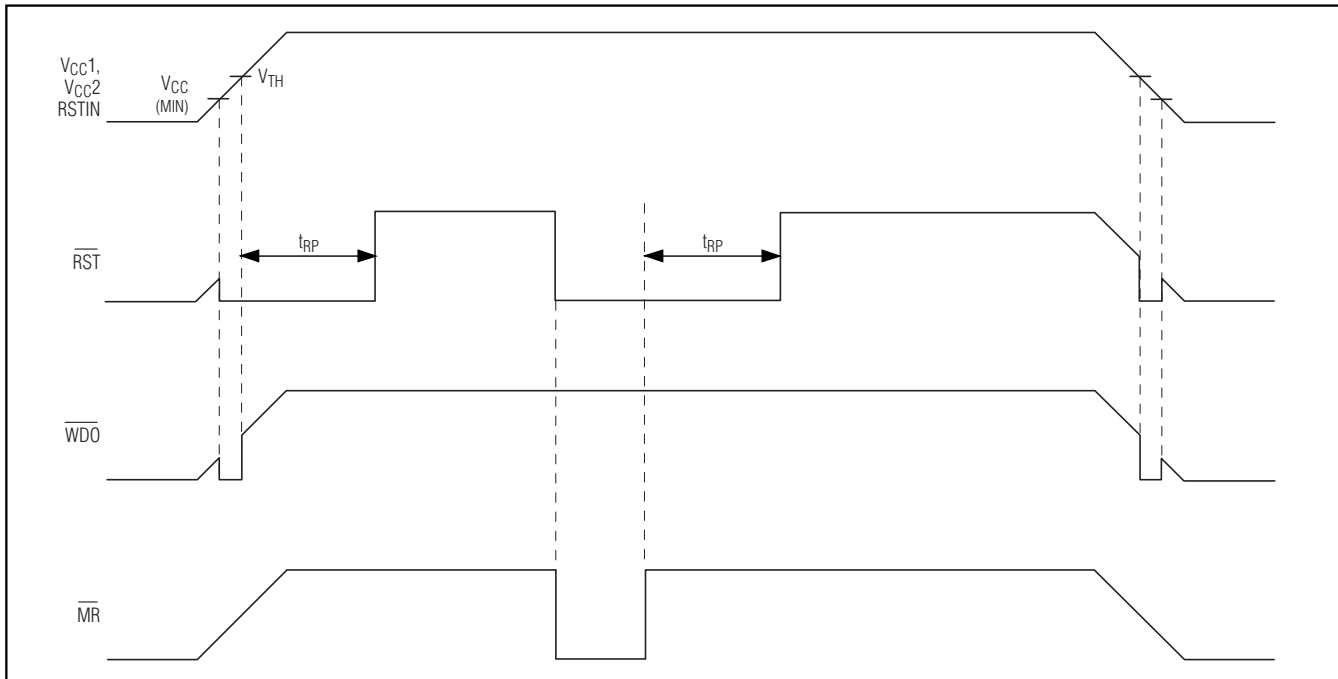


Figure 1.  $\overline{\text{RST}}$ ,  $\overline{\text{WDO}}$ , and  $\overline{\text{MR}}$  Timing Diagram

# Single-/Dual-/Triple-Voltage $\mu$ P Supervisory Circuits with Independent Watchdog Output

The RSTIN comparator derives power from VCC1, and the input voltage must remain less than or equal to VCC1. Low leakage current at RSTIN allows the use of large-valued resistors, resulting in reduced power consumption of the system.

### Watchdog

The watchdog feature monitors  $\mu$ P activity through the watchdog input (WDI). A rising or falling edge on WDI within the watchdog timeout period ( $t_{WD}$ ) indicates normal  $\mu$ P operation. WDO asserts low if WDI remains high or low for longer than the watchdog timeout period. Floating WDI does not disable the watchdog timer.

The MAX6730-MAX6735 include a dual-mode watchdog timer to monitor  $\mu$ P activity. The flexible timeout architecture provides a long-period initial watchdog mode, allowing complicated systems to complete lengthy boots, and a short-period normal watchdog mode, allowing the supervisor to provide quick alerts when processor activity fails. After each reset event (VCC power-up, brownout, or manual reset), there is a long initial watchdog period of 35s (min). The long watchdog period mode provides an extended time for the system to power up and fully initialize all  $\mu$ P and system components before assuming responsibility for routine watchdog updates.

The usual watchdog timeout period (1.12s min) begins after the initial watchdog timeout period ( $t_{WD-L}$ ) expires or after the first transition on WDI (Figure 3). During normal operating mode, the supervisor asserts the WDO output if the  $\mu$ P does not update the WDI with a valid transition (high to low or low to high) within the standard timeout period ( $t_{WD-S}$ ) (1.12s min).

Connect  $\overline{MR}$  to  $\overline{WDO}$  to force a system reset in the event that no rising or falling edge is detected at WDI within the watchdog timeout period.  $\overline{WDO}$  asserts low when no edge is detected by WDI, the  $\overline{RST}$  output asserts low, the watchdog counter immediately clears, and  $\overline{WDO}$  returns high. The watchdog counter restarts, using the long watchdog period, when the reset timeout period ends (Figure 4).

### Ensuring a Valid RESET Output Down to VCC = 0

The MAX6730-MAX6735 guarantee proper operation down to VCC = +0.8V. In applications that require valid reset levels down to VCC = 0, use a 100k $\Omega$  pulldown resistor from  $\overline{RST}$  to GND. The resistor value used is not critical, but it must be large enough not to load the reset output when VCC is above the reset threshold. For most applications, 100k $\Omega$  is adequate. Note that this configuration does not work for the open-drain outputs of MAX6730/MAX6732/MAX6734.

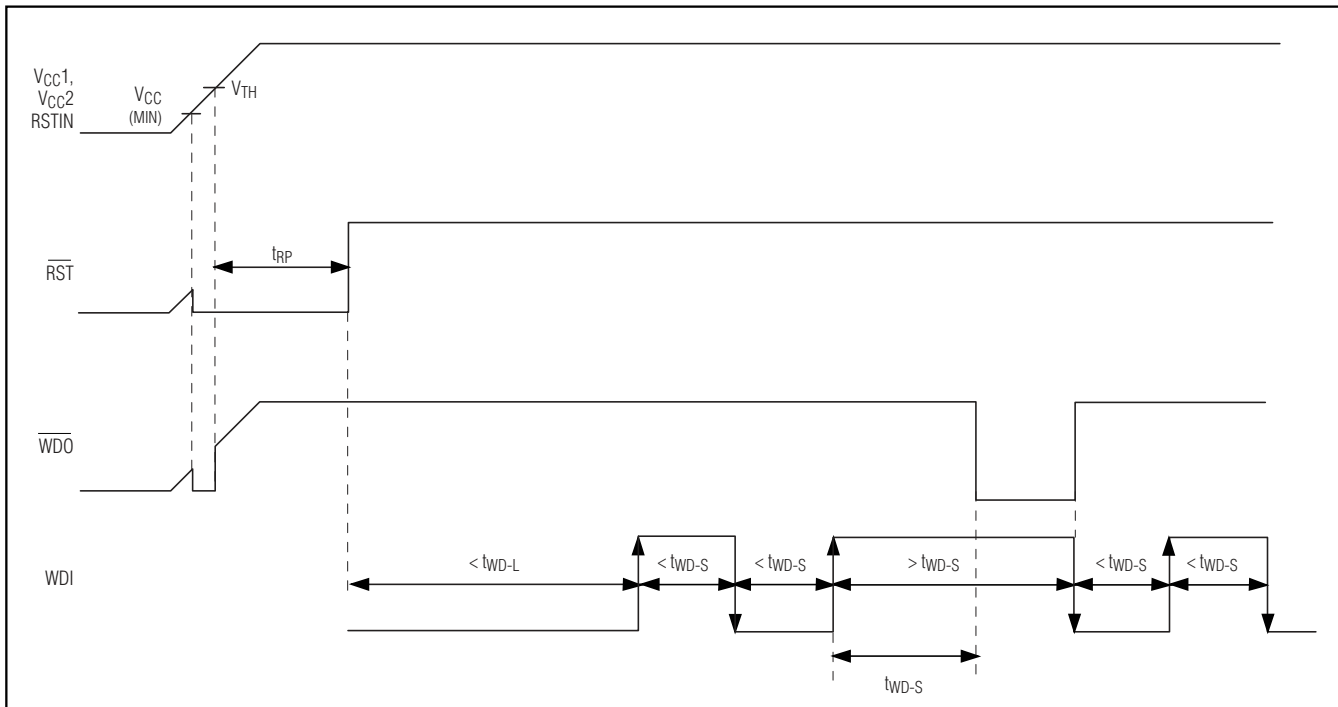


Figure 3. Watchdog Input/Output Timing Diagram ( $\overline{MR}$  and  $\overline{WDO}$  Not Connected)

# Single-/Dual-/Triple-Voltage $\mu$ P Supervisory Circuits with Independent Watchdog Output

MAX6730-MAX6735

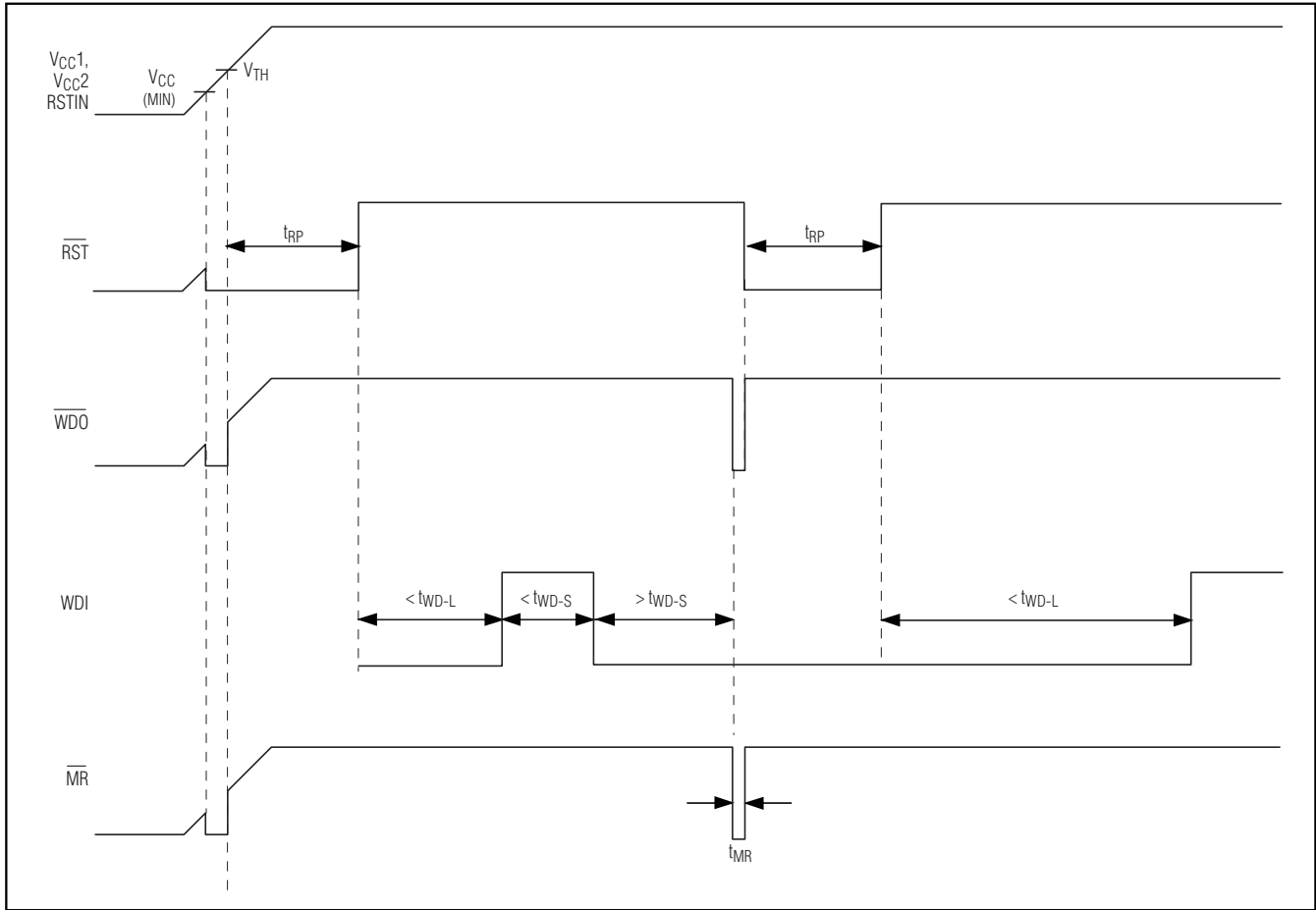


Figure 4. Watchdog Input/Output Timing Diagram ( $\overline{MR}$  and  $\overline{WDO}$  Connected)

## Applications Information

### Interfacing to $\mu$ Ps with Bidirectional Reset Pins

Microprocessors with bidirectional reset pins can interface directly with the open-drain  $\overline{RST}$  output options. However, conditions might occur in which the push-pull output versions experience logic contention with the bidirectional reset pin of the  $\mu$ P. Connect a 10k $\Omega$  resistor between  $\overline{RST}$  and the  $\mu$ P's reset I/O port to prevent logic contention (Figure 5).

### Falling VCC Transients

The MAX6730-MAX6735  $\mu$ P supervisors are relatively immune to short-duration falling VCC\_ transients (glitches). Small glitches on VCC\_ are ignored by the MAX6730-MAX6735, preventing undesirable reset pulses to the  $\mu$ P. The *Typical Operating Characteristics* show Maximum Transient Duration vs. Reset Threshold

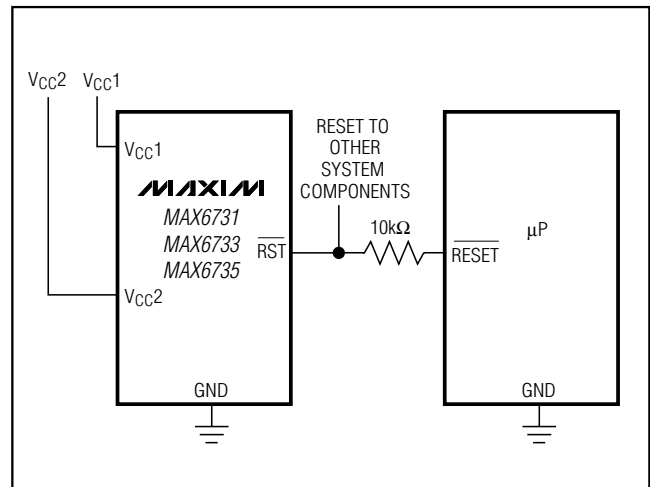


Figure 5. Interfacing to  $\mu$ Ps with Bidirectional Reset I/O

# Single-/Dual-/Triple-Voltage $\mu$ P Supervisory Circuits with Independent Watchdog Output

Overdrive, for which reset pulses are not generated. The graph was produced using falling  $V_{CC\_}$  pulses, starting above  $V_{TH}$  and ending below the reset threshold by the magnitude indicated (reset threshold overdrive). The graph shows the maximum pulse width that a falling  $V_{CC}$  transient typically might have without causing a reset pulse to be issued. As the amplitude of the transient increases (i.e., goes further below the reset threshold), the maximum allowable pulse width decreases. A  $0.1\mu\text{F}$  bypass capacitor mounted close to  $V_{CC\_}$  provides additional transient immunity.

### Watchdog Software Considerations

Setting and resetting the watchdog input at different points in the program rather than “pulsing” the watchdog input high-low-high or low-high-low helps the watchdog timer closely monitor software execution. This technique avoids a “stuck” loop, in which the watchdog timer continues to be reset within the loop, preventing the watchdog from timing out. Figure 6 shows an example flow diagram in which the I/O driving the watchdog input is set high at the beginning of the program, set low at the beginning of every subroutine or loop, and then set high again when the program returns to the beginning. If the program “hangs” in any subroutine, the I/O continually asserts low (or high), and the watchdog timer expires, issuing a reset or interrupt.

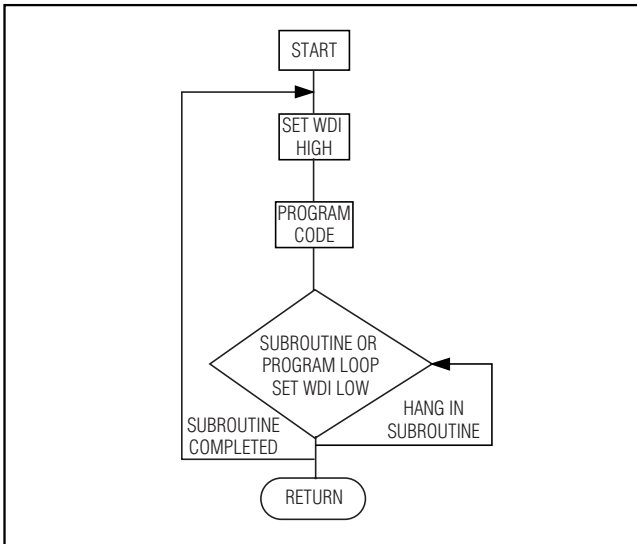
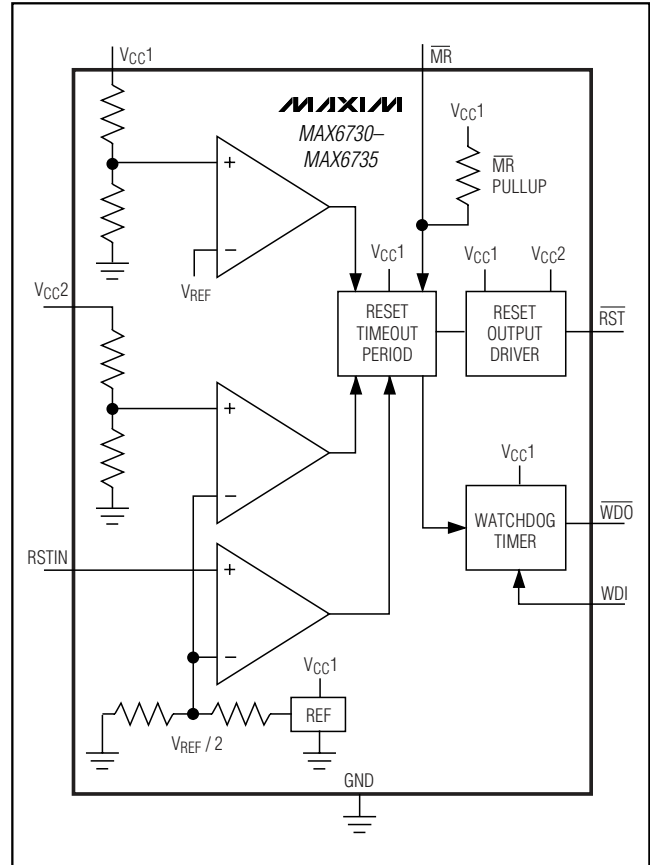


Figure 6. Watchdog Flow Diagram

### Functional Diagram



# Single-/Dual-/Triple-Voltage $\mu$ P Supervisory Circuits with Independent Watchdog Output

## Standard Versions

MAX6730-MAX6735

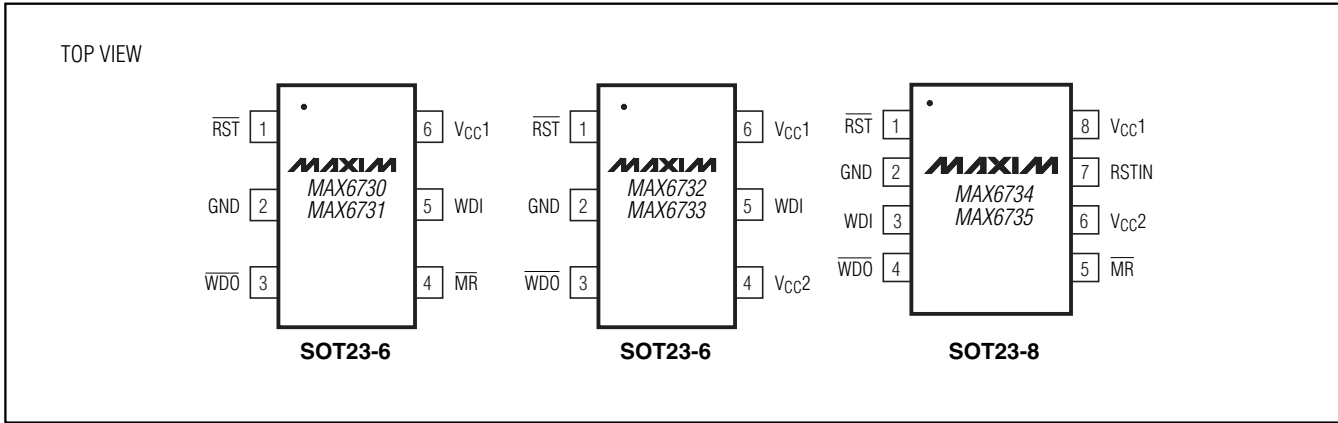
PART	TOP MARK
<b>MAX6730</b> UTLD3-T	ABCC
MAX6730UTSD3-T	ABPB
MAX6730UTRD3-T	ABPA
MAX6730UTZD3-T	ABPD
MAX6730UTVD3-T	ABPC
<b>MAX6731</b> UTLD3-T	ABPE
MAX6731UTTD3-T	ABCD
MAX6731UTSD3-T	ABPG
MAX6731UTRD3-T	ABPF
MAX6731UTZD3-T	ABPI
MAX6731UTVD3-T	ABPH
<b>MAX6732</b> UTLTD3-T	ABCE
MAX6732UTSYD3-T	ABPN
MAX6732UTSVD3-T	ABPM
MAX6732UTRVD3-T	ABPJ
MAX6732UTSHD3-T	ABPL
MAX6732UTTGD3-T	ABPO
MAX6732UTSDD3-T	ABPK
MAX6732UTZWD3-T	ABPV
MAX6732UTYHD3-T	ABPT
MAX6732UTZGD3-T	ABPU
MAX6732UTYDD3-T	ABPS
MAX6732UTVHD3-T	ABPQ
MAX6732UTWGD3-T	ABPR
MAX6732UTVDD3-T	ABPP
<b>MAX6733</b> UTLTD3-T	ABPW
MAX6733UTSYD3-T	ABQB
MAX6733UTSVD3-T	ABQA
MAX6733UTRVD3-T	ABPX
MAX6733UTSHD3-T	ABPZ
MAX6733UTTGD3-T	ABQC
MAX6733UTSDD3-T	ABPY
MAX6733UTZWD3-T	ABQJ
MAX6733UTYHD3-T	ABQH

PART	TOP MARK
MAX6733UTZGD3-T	ABQI
MAX6733UTYDD3-T	ABQG
MAX6733UTVHD3-T	ABQE
MAX6733UTWGD3-T	ABQF
MAX6733UTVDD3-T	ABQD
<b>MAX6734</b> KALTD3-T	AEHN
MAX6734KASYD3-T	AEHS
MAX6734KASVD3-T	AEHR
MAX6734KARVD3-T	AEHO
MAX6734KASHD3-T	AEHQ
MAX6734KATGD3-T	AEHT
MAX6734KASDD3-T	AEHP
MAX6734KAZWD3-T	AEIA
MAX6734KAYHD3-T	AEHY
MAX6734KAZGD3-T	AEHZ
MAX6734KAYDD3-T	AEHX
MAX6734KAVHD3-T	AEHV
MAX6734KAWGD3-T	AEHW
MAX6734KAVDD3-T	AEHU
<b>MAX6735</b> KALTD3-T	AEIB
MAX6735KASYD3-T	AEIG
MAX6735KASVD3-T	AEIF
MAX6735KARVD3-T	AEIC
MAX6735KASHD3-T	AEIE
MAX6735KATGD3-T	AEIH
MAX6735KASDD3-T	AEID
MAX6735KAZWD3-T	AEIO
MAX6735KAZID3-T	AAJZ
MAX6735KAYHD3-T	AEIM
MAX6735KAZGD3-T	AEIN
MAX6735KAYDD3-T	AEIL
MAX6735KAVHD3-T	AEIJ
MAX6735KAWGD3-T	AEIK
MAX6735KAVDD3-T	AEII

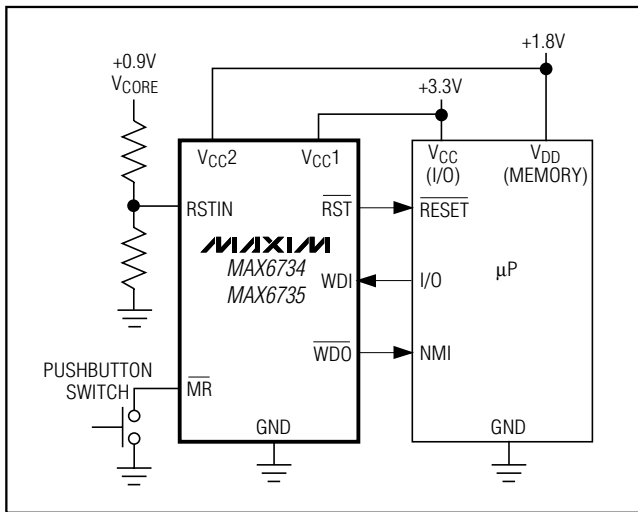
**Note:** Sample stock is generally held on standard versions only. Standard versions have an order increment requirement of 2500 pieces. Nonstandard versions have an order increment requirement of 10,000 pieces. Contact factory for availability of nonstandard versions.

# Single-/Dual-/Triple-Voltage $\mu$ P Supervisory Circuits with Independent Watchdog Output

## Pin Configurations



## Typical Operating Circuit



## Chip Information

TRANSISTOR COUNT: 1073  
PROCESS: BiCMOS

## Selector Guide

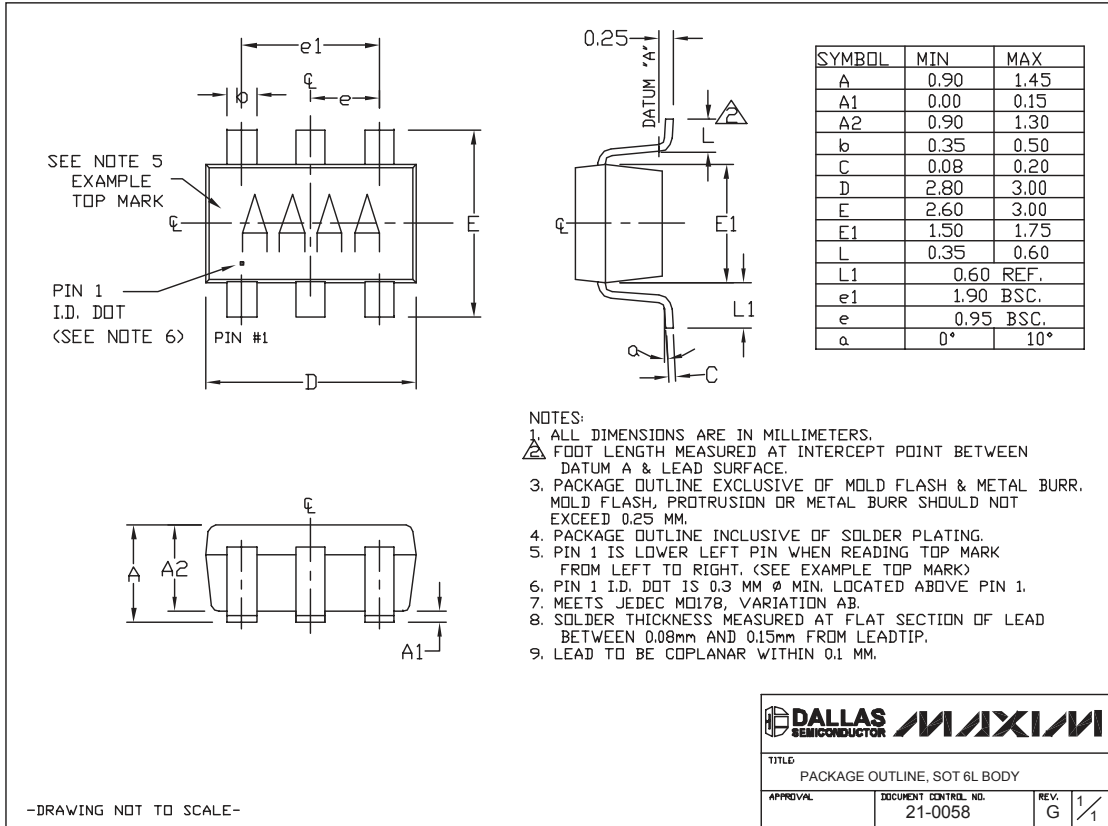
PART NUMBER	VOLTAGE MONITORS	$\overline{\text{RST}}$ OUTPUT	MANUAL RESET	WATCHDOG INPUT	WATCHDOG OUTPUT
MAX6730	1	Open Drain	✓	✓	Open Drain
MAX6731	1	Push-Pull	✓	✓	Push-Pull
MAX6732	2	Open Drain	—	✓	Open Drain
MAX6733	2	Push-Pull	—	✓	Push-Pull
MAX6734	3	Open Drain	✓	✓	Open Drain
MAX6735	3	Push-Pull	✓	✓	Push-Pull

# Single-/Dual-/Triple-Voltage $\mu$ P Supervisory Circuits with Independent Watchdog Output

## Package Information

(The package drawing(s) in this data sheet may not reflect the most current specifications. For the latest package outline information go to [www.maxim-ic.com/packages](http://www.maxim-ic.com/packages).)

MAX6730-MAX6735



# Single-/Dual-/Triple-Voltage $\mu$ P Supervisory Circuits with Independent Watchdog Output

## Package Information (continued)

(The package drawing(s) in this data sheet may not reflect the most current specifications. For the latest package outline information go to [www.maxim-ic.com/packages](http://www.maxim-ic.com/packages).)

SYMBOL	MIN	MAX
A	0.90	1.45
A1	0.00	0.15
A2	0.90	1.30
b	0.22	0.38
C	0.08	0.22
D	2.80	3.00
E	2.60	3.00
E1	1.50	1.75
L	0.30	0.60
L2	0.25 BSC.	
e	0.65 BSC.	
e1	1.95 REF.	
$\theta$	0°	8°

**NOTE:**

- ALL DIMENSIONS ARE IN MILLIMETERS.
- FOOT LENGTH MEASURED FROM LEAD TIP TO UPPER RADIUS OF HEEL OF THE LEAD PARALLEL TO SEATING PLANE C.
- PACKAGE OUTLINE EXCLUSIVE OF MOLD FLASH & METAL BURR.
- PACKAGE OUTLINE INCLUSIVE OF SOLDER PLATING.
- COPLANARITY 4 MILS. MAX.
- PIN 1 I.D. DOT IS 0.3 MM  $\varnothing$  MIN. LOCATED ABOVE PIN 1.
- SOLDER THICKNESS MEASURED AT FLAT SECTION OF LEAD BETWEEN 0.08mm AND 0.15mm FROM LEAD TIP.
- MEETS JEDEC MO178 VARIATION BA.

SOT23, 8L, EPS

Maxim cannot assume responsibility for use of any circuitry other than circuitry entirely embodied in a Maxim product. No circuit patent licenses are implied. Maxim reserves the right to change the circuitry and specifications without notice at any time.

16 **Maxim Integrated Products, 120 San Gabriel Drive, Sunnyvale, CA 94086 408-737-7600**






SITE SEARCH

PART NO SEARCH

WHAT'S NEW PRODUCTS SOLUTIONS DESIGN APPNOTES SUPPORT BUY COMPANY MEMBER:

# MAX6734

## Part Number Table

Notes:

1. See the [MAX6734 QuickView Data Sheet](#) for further information on this product family or download the [MAX6734 full data sheet \(PDF, 232kB\)](#).
2. Other options and links for purchasing parts are listed at: <http://www.maxim-ic.com/sales>.
3. [Didn't Find What You Need?](#) Ask our applications engineers. Expert assistance in finding parts, usually within one business day.
4. Part number suffixes: T or T&R = tape and reel; + = RoHS/lead-free; # = RoHS/lead-exempt. More: See [full data sheet](#) or [Part Naming Conventions](#).
5. \* Some packages have variations, listed on the drawing. "PkgCode/Variation" tells which variation the product uses.

Part Number	Free Sample	Buy Direct	Package: TYPE PINS SIZE DRAWING CODE/ VAR *	Temp	RoHS/ Lead-Free? Materials Analysis
MAX6734KAWID4-T		<input type="button" value="Buy"/>			RoHS/Lead-Free: <a href="#">No</a>
MAX6734KAWED2-T		<input type="button" value="Buy"/>			RoHS/Lead-Free: <a href="#">No</a>
MAX6734KAWED1-T		<input type="button" value="Buy"/>			RoHS/Lead-Free: <a href="#">No</a>
MAX6734KAVHD6-T		<input type="button" value="Buy"/>			RoHS/Lead-Free: <a href="#">No</a>
MAX6734KAVHD5-T		<input type="button" value="Buy"/>			RoHS/Lead-Free: <a href="#">No</a>
MAX6734KAVHD4-T		<input type="button" value="Buy"/>			RoHS/Lead-Free: <a href="#">No</a>
MAX6734KAVHD2-T		<input type="button" value="Buy"/>			RoHS/Lead-Free: <a href="#">No</a>
MAX6734KAVHD1-T		<input type="button" value="Buy"/>			RoHS/Lead-Free: <a href="#">No</a>
MAX6734KAVFD6-T		<input type="button" value="Buy"/>			RoHS/Lead-Free: <a href="#">No</a>
MAX6734KAVFD5-T		<input type="button" value="Buy"/>			RoHS/Lead-Free: <a href="#">No</a>
MAX6734KAWED3-T		<input type="button" value="Buy"/>			RoHS/Lead-Free: <a href="#">No</a>

MAX6734KAWED4-T	<a href="#">Buy</a>	RoHS/Lead-Free: <a href="#">No</a>
MAX6734KAWED5-T	<a href="#">Buy</a>	RoHS/Lead-Free: <a href="#">No</a>
MAX6734KAWID3-T	<a href="#">Buy</a>	RoHS/Lead-Free: <a href="#">No</a>
MAX6734KAWID2-T	<a href="#">Buy</a>	RoHS/Lead-Free: <a href="#">No</a>
MAX6734KAWID1-T	<a href="#">Buy</a>	RoHS/Lead-Free: <a href="#">No</a>
MAX6734KAWGD6-T	<a href="#">Buy</a>	RoHS/Lead-Free: <a href="#">No</a>
MAX6734KAWGD5-T	<a href="#">Buy</a>	RoHS/Lead-Free: <a href="#">No</a>
MAX6734KAWGD4-T	<a href="#">Buy</a>	RoHS/Lead-Free: <a href="#">No</a>
MAX6734KAWGD2-T	<a href="#">Buy</a>	RoHS/Lead-Free: <a href="#">No</a>
MAX6734KAWGD1-T	<a href="#">Buy</a>	RoHS/Lead-Free: <a href="#">No</a>
MAX6734KAWED6-T	<a href="#">Buy</a>	RoHS/Lead-Free: <a href="#">No</a>
MAX6734KAVFD4-T	<a href="#">Buy</a>	RoHS/Lead-Free: <a href="#">No</a>
MAX6734KAVFD3-T	<a href="#">Buy</a>	RoHS/Lead-Free: <a href="#">No</a>
MAX6734KATWD6-T	<a href="#">Buy</a>	RoHS/Lead-Free: <a href="#">No</a>
MAX6734KATWD5-T	<a href="#">Buy</a>	RoHS/Lead-Free: <a href="#">No</a>
MAX6734KATWD4-T	<a href="#">Buy</a>	RoHS/Lead-Free: <a href="#">No</a>
MAX6734KATWD3-T	<a href="#">Buy</a>	RoHS/Lead-Free: <a href="#">No</a>
MAX6734KATWD2-T	<a href="#">Buy</a>	RoHS/Lead-Free: <a href="#">No</a>
MAX6734KATWD1-T	<a href="#">Buy</a>	RoHS/Lead-Free: <a href="#">No</a>

MAX6734KATID6-T	<a href="#">Buy</a>	RoHS/Lead-Free: <a href="#">No</a>
MAX6734KATID5-T	<a href="#">Buy</a>	RoHS/Lead-Free: <a href="#">No</a>
MAX6734KATID4-T	<a href="#">Buy</a>	RoHS/Lead-Free: <a href="#">No</a>
MAX6734KATZD1-T	<a href="#">Buy</a>	RoHS/Lead-Free: <a href="#">No</a>
MAX6734KATZD2-T	<a href="#">Buy</a>	RoHS/Lead-Free: <a href="#">No</a>
MAX6734KATZD4-T	<a href="#">Buy</a>	RoHS/Lead-Free: <a href="#">No</a>
MAX6734KAVFD2-T	<a href="#">Buy</a>	RoHS/Lead-Free: <a href="#">No</a>
MAX6734KAVFD1-T	<a href="#">Buy</a>	RoHS/Lead-Free: <a href="#">No</a>
MAX6734KAVDD6-T	<a href="#">Buy</a>	RoHS/Lead-Free: <a href="#">No</a>
MAX6734KAVDD5-T	<a href="#">Buy</a>	RoHS/Lead-Free: <a href="#">No</a>
MAX6734KAVDD4-T	<a href="#">Buy</a>	RoHS/Lead-Free: <a href="#">No</a>
MAX6734KAVDD2-T	<a href="#">Buy</a>	RoHS/Lead-Free: <a href="#">No</a>
MAX6734KAVDD1-T	<a href="#">Buy</a>	RoHS/Lead-Free: <a href="#">No</a>
MAX6734KATZD6-T	<a href="#">Buy</a>	RoHS/Lead-Free: <a href="#">No</a>
MAX6734KATZD5-T	<a href="#">Buy</a>	RoHS/Lead-Free: <a href="#">No</a>
MAX6734KATID3-T	<a href="#">Buy</a>	RoHS/Lead-Free: <a href="#">No</a>
MAX6734KAZWD6-T	<a href="#">Buy</a>	RoHS/Lead-Free: <a href="#">No</a>
MAX6734KAZGD4-T	<a href="#">Buy</a>	RoHS/Lead-Free: <a href="#">No</a>
MAX6734KAZGD2-T	<a href="#">Buy</a>	RoHS/Lead-Free: <a href="#">No</a>
MAX6734KAZGD1-T	<a href="#">Buy</a>	RoHS/Lead-Free: <a href="#">No</a>

MAX6734KAZED6-T	<a href="#">Buy</a>	RoHS/Lead-Free: <a href="#">No</a>
MAX6734KAZED5-T	<a href="#">Buy</a>	RoHS/Lead-Free: <a href="#">No</a>
MAX6734KAZED4-T	<a href="#">Buy</a>	RoHS/Lead-Free: <a href="#">No</a>
MAX6734KAZED3-T	<a href="#">Buy</a>	RoHS/Lead-Free: <a href="#">No</a>
MAX6734KAZED2-T	<a href="#">Buy</a>	RoHS/Lead-Free: <a href="#">No</a>
MAX6734KAZED1-T	<a href="#">Buy</a>	RoHS/Lead-Free: <a href="#">No</a>
MAX6734KAZGD5-T	<a href="#">Buy</a>	RoHS/Lead-Free: <a href="#">No</a>
MAX6734KAZGD6-T	<a href="#">Buy</a>	RoHS/Lead-Free: <a href="#">No</a>
MAX6734KAZID1-T	<a href="#">Buy</a>	RoHS/Lead-Free: <a href="#">No</a>
MAX6734KAZWD5-T	<a href="#">Buy</a>	RoHS/Lead-Free: <a href="#">No</a>
MAX6734KAZWD4-T	<a href="#">Buy</a>	RoHS/Lead-Free: <a href="#">No</a>
MAX6734KAZWD2-T	<a href="#">Buy</a>	RoHS/Lead-Free: <a href="#">No</a>
MAX6734KAZWD1-T	<a href="#">Buy</a>	RoHS/Lead-Free: <a href="#">No</a>
MAX6734KAZID6-T	<a href="#">Buy</a>	RoHS/Lead-Free: <a href="#">No</a>
MAX6734KAZID5-T	<a href="#">Buy</a>	RoHS/Lead-Free: <a href="#">No</a>
MAX6734KAZID4-T	<a href="#">Buy</a>	RoHS/Lead-Free: <a href="#">No</a>
MAX6734KAZID3-T	<a href="#">Buy</a>	RoHS/Lead-Free: <a href="#">No</a>
MAX6734KAZID2-T	<a href="#">Buy</a>	RoHS/Lead-Free: <a href="#">No</a>
MAX6734KAYVD6-T	<a href="#">Buy</a>	RoHS/Lead-Free: <a href="#">No</a>

MAX6734KAYVD5-T	<a href="#">Buy</a>	RoHS/Lead-Free: <a href="#">No</a>
MAX6734KAYFD3-T	<a href="#">Buy</a>	RoHS/Lead-Free: <a href="#">No</a>
MAX6734KAYFD2-T	<a href="#">Buy</a>	RoHS/Lead-Free: <a href="#">No</a>
MAX6734KAYFD1-T	<a href="#">Buy</a>	RoHS/Lead-Free: <a href="#">No</a>
MAX6734KAYDD6-T	<a href="#">Buy</a>	RoHS/Lead-Free: <a href="#">No</a>
MAX6734KAYDD5-T	<a href="#">Buy</a>	RoHS/Lead-Free: <a href="#">No</a>
MAX6734KAYDD4-T	<a href="#">Buy</a>	RoHS/Lead-Free: <a href="#">No</a>
MAX6734KAYDD2-T	<a href="#">Buy</a>	RoHS/Lead-Free: <a href="#">No</a>
MAX6734KAYDD1-T	<a href="#">Buy</a>	RoHS/Lead-Free: <a href="#">No</a>
MAX6734KAWID6-T	<a href="#">Buy</a>	RoHS/Lead-Free: <a href="#">No</a>
MAX6734KAYFD4-T	<a href="#">Buy</a>	RoHS/Lead-Free: <a href="#">No</a>
MAX6734KAYFD5-T	<a href="#">Buy</a>	RoHS/Lead-Free: <a href="#">No</a>
MAX6734KAYFD6-T	<a href="#">Buy</a>	RoHS/Lead-Free: <a href="#">No</a>
MAX6734KAYVD4-T	<a href="#">Buy</a>	RoHS/Lead-Free: <a href="#">No</a>
MAX6734KAYVD3-T	<a href="#">Buy</a>	RoHS/Lead-Free: <a href="#">No</a>
MAX6734KAYVD2-T	<a href="#">Buy</a>	RoHS/Lead-Free: <a href="#">No</a>
MAX6734KAYVD1-T	<a href="#">Buy</a>	RoHS/Lead-Free: <a href="#">No</a>
MAX6734KAYHD6-T	<a href="#">Buy</a>	RoHS/Lead-Free: <a href="#">No</a>
MAX6734KAYHD5-T	<a href="#">Buy</a>	RoHS/Lead-Free: <a href="#">No</a>
MAX6734KAYHD4-T	<a href="#">Buy</a>	RoHS/Lead-Free: <a href="#">No</a>

MAX6734KAYHD2-T	<a href="#">Buy</a>	RoHS/Lead-Free: <a href="#">No</a>
MAX6734KAYHD1-T	<a href="#">Buy</a>	RoHS/Lead-Free: <a href="#">No</a>
MAX6734KAWID5-T	<a href="#">Buy</a>	RoHS/Lead-Free: <a href="#">No</a>
MAX6734KASDD1-T	<a href="#">Buy</a>	RoHS/Lead-Free: <a href="#">No</a>
MAX6734KARHD5-T	<a href="#">Buy</a>	RoHS/Lead-Free: <a href="#">No</a>
MAX6734KARHD4-T	<a href="#">Buy</a>	RoHS/Lead-Free: <a href="#">No</a>
MAX6734KARHD3-T	<a href="#">Buy</a>	RoHS/Lead-Free: <a href="#">No</a>
MAX6734KARHD2-T	<a href="#">Buy</a>	RoHS/Lead-Free: <a href="#">No</a>
MAX6734KARHD1-T	<a href="#">Buy</a>	RoHS/Lead-Free: <a href="#">No</a>
MAX6734KARFD6-T	<a href="#">Buy</a>	RoHS/Lead-Free: <a href="#">No</a>
MAX6734KARFD5-T	<a href="#">Buy</a>	RoHS/Lead-Free: <a href="#">No</a>
MAX6734KARFD4-T	<a href="#">Buy</a>	RoHS/Lead-Free: <a href="#">No</a>
MAX6734KARFD3-T	<a href="#">Buy</a>	RoHS/Lead-Free: <a href="#">No</a>
MAX6734KARHD6-T	<a href="#">Buy</a>	RoHS/Lead-Free: <a href="#">No</a>
MAX6734KARVD1-T	<a href="#">Buy</a>	RoHS/Lead-Free: <a href="#">No</a>
MAX6734KARVD2-T	<a href="#">Buy</a>	RoHS/Lead-Free: <a href="#">No</a>
MAX6734KARYD6-T	<a href="#">Buy</a>	RoHS/Lead-Free: <a href="#">No</a>
MAX6734KARYD5-T	<a href="#">Buy</a>	RoHS/Lead-Free: <a href="#">No</a>
MAX6734KARYD4-T	<a href="#">Buy</a>	RoHS/Lead-Free: <a href="#">No</a>

MAX6734KARYD3-T	<a href="#">Buy</a>	RoHS/Lead-Free: <a href="#">No</a>
MAX6734KARYD2-T	<a href="#">Buy</a>	RoHS/Lead-Free: <a href="#">No</a>
MAX6734KARYD1-T	<a href="#">Buy</a>	RoHS/Lead-Free: <a href="#">No</a>
MAX6734KARVD6-T	<a href="#">Buy</a>	RoHS/Lead-Free: <a href="#">No</a>
MAX6734KARVD5-T	<a href="#">Buy</a>	RoHS/Lead-Free: <a href="#">No</a>
MAX6734KARVD4-T	<a href="#">Buy</a>	RoHS/Lead-Free: <a href="#">No</a>
MAX6734KARFD2-T	<a href="#">Buy</a>	RoHS/Lead-Free: <a href="#">No</a>
MAX6734KARFD1-T	<a href="#">Buy</a>	RoHS/Lead-Free: <a href="#">No</a>
MAX6734KAMRD6-T	<a href="#">Buy</a>	RoHS/Lead-Free: <a href="#">No</a>
MAX6734KAMRD5-T	<a href="#">Buy</a>	RoHS/Lead-Free: <a href="#">No</a>
MAX6734KAMRD4-T	<a href="#">Buy</a>	RoHS/Lead-Free: <a href="#">No</a>
MAX6734KAMRD2-T	<a href="#">Buy</a>	RoHS/Lead-Free: <a href="#">No</a>
MAX6734KAMRD1-T	<a href="#">Buy</a>	RoHS/Lead-Free: <a href="#">No</a>
MAX6734KALTD6-T	<a href="#">Buy</a>	RoHS/Lead-Free: <a href="#">No</a>
MAX6734KALTD5-T	<a href="#">Buy</a>	RoHS/Lead-Free: <a href="#">No</a>
MAX6734KALTD4-T	<a href="#">Buy</a>	RoHS/Lead-Free: <a href="#">No</a>
MAX6734KALTD2-T	<a href="#">Buy</a>	RoHS/Lead-Free: <a href="#">No</a>
MAX6734KAMSD1-T	<a href="#">Buy</a>	RoHS/Lead-Free: <a href="#">No</a>
MAX6734KAMSD2-T	<a href="#">Buy</a>	RoHS/Lead-Free: <a href="#">No</a>
MAX6734KAMSD3-T	<a href="#">Buy</a>	RoHS/Lead-Free: <a href="#">No</a>

MAX6734KARDD6-T	<a href="#">Buy</a>	RoHS/Lead-Free: <a href="#">No</a>
MAX6734KARDD5-T	<a href="#">Buy</a>	RoHS/Lead-Free: <a href="#">No</a>
MAX6734KARDD4-T	<a href="#">Buy</a>	RoHS/Lead-Free: <a href="#">No</a>
MAX6734KARDD3-T	<a href="#">Buy</a>	RoHS/Lead-Free: <a href="#">No</a>
MAX6734KARDD2-T	<a href="#">Buy</a>	RoHS/Lead-Free: <a href="#">No</a>
MAX6734KARDD1-T	<a href="#">Buy</a>	RoHS/Lead-Free: <a href="#">No</a>
MAX6734KAMSD6-T	<a href="#">Buy</a>	RoHS/Lead-Free: <a href="#">No</a>
MAX6734KAMSD5-T	<a href="#">Buy</a>	RoHS/Lead-Free: <a href="#">No</a>
MAX6734KAMSD4-T	<a href="#">Buy</a>	RoHS/Lead-Free: <a href="#">No</a>
MAX6734KALTD1-T	<a href="#">Buy</a>	RoHS/Lead-Free: <a href="#">No</a>
MAX6734KASDD2-T	<a href="#">Buy</a>	RoHS/Lead-Free: <a href="#">No</a>
MAX6734KATID2-T	<a href="#">Buy</a>	RoHS/Lead-Free: <a href="#">No</a>
MAX6734KASYD6-T	<a href="#">Buy</a>	RoHS/Lead-Free: <a href="#">No</a>
MAX6734KASYD5-T	<a href="#">Buy</a>	RoHS/Lead-Free: <a href="#">No</a>
MAX6734KASYD4-T	<a href="#">Buy</a>	RoHS/Lead-Free: <a href="#">No</a>
MAX6734KATGD6-T	<a href="#">Buy</a>	RoHS/Lead-Free: <a href="#">No</a>
MAX6734KASYD2-T	<a href="#">Buy</a>	RoHS/Lead-Free: <a href="#">No</a>
MAX6734KASYD1-T	<a href="#">Buy</a>	RoHS/Lead-Free: <a href="#">No</a>
MAX6734KASVD6-T	<a href="#">Buy</a>	RoHS/Lead-Free: <a href="#">No</a>



MAX6734KASVD5-T	<a href="#">Buy</a>	RoHS/Lead-Free: <a href="#">No</a>
MAX6734KASVD4-T	<a href="#">Buy</a>	RoHS/Lead-Free: <a href="#">No</a>
MAX6734KATED1-T	<a href="#">Buy</a>	RoHS/Lead-Free: <a href="#">No</a>
MAX6734KATED2-T	<a href="#">Buy</a>	RoHS/Lead-Free: <a href="#">No</a>
MAX6734KATID1-T	<a href="#">Buy</a>	RoHS/Lead-Free: <a href="#">No</a>
MAX6734KATGD5-T	<a href="#">Buy</a>	RoHS/Lead-Free: <a href="#">No</a>
MAX6734KATGD4-T	<a href="#">Buy</a>	RoHS/Lead-Free: <a href="#">No</a>
MAX6734KATGD2-T	<a href="#">Buy</a>	RoHS/Lead-Free: <a href="#">No</a>
MAX6734KATGD1-T	<a href="#">Buy</a>	RoHS/Lead-Free: <a href="#">No</a>
MAX6734KATED6-T	<a href="#">Buy</a>	RoHS/Lead-Free: <a href="#">No</a>
MAX6734KATED5-T	<a href="#">Buy</a>	RoHS/Lead-Free: <a href="#">No</a>
MAX6734KATED4-T	<a href="#">Buy</a>	RoHS/Lead-Free: <a href="#">No</a>
MAX6734KATED3-T	<a href="#">Buy</a>	RoHS/Lead-Free: <a href="#">No</a>
MAX6734KASVD2-T	<a href="#">Buy</a>	RoHS/Lead-Free: <a href="#">No</a>
MAX6734KASVD1-T	<a href="#">Buy</a>	RoHS/Lead-Free: <a href="#">No</a>
MAX6734KASFD5-T	<a href="#">Buy</a>	RoHS/Lead-Free: <a href="#">No</a>
MAX6734KASFD4-T	<a href="#">Buy</a>	RoHS/Lead-Free: <a href="#">No</a>
MAX6734KASFD3-T	<a href="#">Buy</a>	RoHS/Lead-Free: <a href="#">No</a>
MAX6734KASFD2-T	<a href="#">Buy</a>	RoHS/Lead-Free: <a href="#">No</a>
MAX6734KASFD1-T	<a href="#">Buy</a>	RoHS/Lead-Free: <a href="#">No</a>

MAX6734KASDD6-T	<a href="#">Buy</a>		RoHS/Lead-Free: <a href="#">No</a>
MAX6734KASDD5-T	<a href="#">Buy</a>		RoHS/Lead-Free: <a href="#">No</a>
MAX6734KASDD4-T	<a href="#">Buy</a>		RoHS/Lead-Free: <a href="#">No</a>
MAX6734KASHD5-T	<a href="#">Buy</a>		RoHS/Lead-Free: <a href="#">No</a>
MAX6734KASFD6-T	<a href="#">Buy</a>		RoHS/Lead-Free: <a href="#">No</a>
MAX6734KASHD1-T	<a href="#">Buy</a>		RoHS/Lead-Free: <a href="#">No</a>
MAX6734KASHD6-T	<a href="#">Buy</a>		RoHS/Lead-Free: <a href="#">No</a>
MAX6734KASHD4-T	<a href="#">Buy</a>		RoHS/Lead-Free: <a href="#">No</a>
MAX6734KAMRD3	<a href="#">Sample</a>	<a href="#">Buy</a>	RoHS/Lead-Free: <a href="#">No</a>
MAX6734KAMRD3-T	<a href="#">Buy</a>		RoHS/Lead-Free: <a href="#">No</a>
MAX6734KASVD3+ T	<a href="#">Buy</a>		-40°C to +85°C RoHS/Lead-Free: <a href="#">Yes</a> <a href="#">Materials Analysis</a>
		SOT-23;8 pin; Dwg: <a href="#">21-0078F</a> (PDF) Use pkgcode/variation: K8S+ 3*	
MAX6734KAZGD3+ T	<a href="#">Buy</a>		-40°C to +85°C RoHS/Lead-Free: <a href="#">Yes</a> <a href="#">Materials Analysis</a>
		SOT-23;8 pin; Dwg: <a href="#">21-0078F</a> (PDF) Use pkgcode/variation: K8S+ 3*	
MAX6734KASVD3+	<a href="#">Sample</a>	<a href="#">Buy</a>	-40°C to +85°C RoHS/Lead-Free: <a href="#">Yes</a> <a href="#">Materials Analysis</a>
		SOT-23;8 pin; Dwg: <a href="#">21-0078F</a> (PDF) Use pkgcode/variation: K8S+ 3*	
MAX6734KAZGD3+	<a href="#">Sample</a>	<a href="#">Buy</a>	-40°C to +85°C RoHS/Lead-Free: <a href="#">Yes</a> <a href="#">Materials Analysis</a>
		SOT-23;8 pin; Dwg: <a href="#">21-0078F</a> (PDF) Use pkgcode/variation: K8S+ 3*	
MAX6734KAYDD3	<a href="#">Sample</a>	<a href="#">Buy</a>	-40°C to +85°C RoHS/Lead-Free: <a href="#">No</a> <a href="#">Materials Analysis</a>
		SOT-23;8 pin; Dwg: <a href="#">21-0078F</a> (PDF) Use pkgcode/variation: K8S-3*	
MAX6734KASYD3	<a href="#">Sample</a>	<a href="#">Buy</a>	-40°C to +85°C RoHS/Lead-Free: <a href="#">No</a> <a href="#">Materials Analysis</a>
		SOT-23;8 pin; Dwg: <a href="#">21-0078F</a> (PDF) Use pkgcode/variation: K8S-3*	
MAX6734KASHD3	<a href="#">Sample</a>	<a href="#">Buy</a>	-40°C to +85°C RoHS/Lead-Free: <a href="#">No</a> <a href="#">Materials Analysis</a>
		SOT-23;8 pin; Dwg: <a href="#">21-0078F</a> (PDF) Use pkgcode/variation: K8S-3*	
MAX6734KASVD3	<a href="#">Sample</a>	<a href="#">Buy</a>	-40°C to +85°C RoHS/Lead-Free: <a href="#">No</a> <a href="#">Materials Analysis</a>
		SOT-23;8 pin; Dwg: <a href="#">21-0078F</a> (PDF) Use pkgcode/variation: K8S-3*	
MAX6734KASYD3+	<a href="#">Sample</a>	<a href="#">Buy</a>	-40°C to +85°C RoHS/Lead-Free: <a href="#">Yes</a> <a href="#">Materials Analysis</a>
		SOT-23;8 pin; Dwg: <a href="#">21-0078F</a> (PDF) Use pkgcode/variation: K8S+ 3*	

MAX6734KASHD2	<input type="button" value="Sample"/>	<input type="button" value="Buy"/>	SOT-23;8 pin; Dwg: <a href="#">21-0078F</a> (PDF) Use pkgcode/variation: K8S-3*	-40°C to +85°C	RoHS/Lead-Free: <a href="#">No Materials Analysis</a>
MAX6734KATGD3		<input type="button" value="Buy"/>	SOT-23;8 pin; Dwg: <a href="#">21-0078F</a> (PDF) Use pkgcode/variation: K8S-3*	-40°C to +85°C	RoHS/Lead-Free: <a href="#">No Materials Analysis</a>
MAX6734KATZD3	<input type="button" value="Sample"/>	<input type="button" value="Buy"/>	SOT-23;8 pin; Dwg: <a href="#">21-0078F</a> (PDF) Use pkgcode/variation: K8S-3*	-40°C to +85°C	RoHS/Lead-Free: <a href="#">No Materials Analysis</a>
MAX6734KAYHD3	<input type="button" value="Sample"/>	<input type="button" value="Buy"/>	SOT-23;8 pin; Dwg: <a href="#">21-0078F</a> (PDF) Use pkgcode/variation: K8S-3*	-40°C to +85°C	RoHS/Lead-Free: <a href="#">No Materials Analysis</a>
MAX6734KAWGD3	<input type="button" value="Sample"/>	<input type="button" value="Buy"/>	SOT-23;8 pin; Dwg: <a href="#">21-0078F</a> (PDF) Use pkgcode/variation: K8S-3*	-40°C to +85°C	RoHS/Lead-Free: <a href="#">No Materials Analysis</a>
MAX6734KAVDD3	<input type="button" value="Sample"/>	<input type="button" value="Buy"/>	SOT-23;8 pin; Dwg: <a href="#">21-0078F</a> (PDF) Use pkgcode/variation: K8S-3*	-40°C to +85°C	RoHS/Lead-Free: <a href="#">No Materials Analysis</a>
MAX6734KASHD3+	<input type="button" value="Sample"/>	<input type="button" value="Buy"/>	SOT-23;8 pin; Dwg: <a href="#">21-0078F</a> (PDF) Use pkgcode/variation: K8S+3*	-40°C to +85°C	RoHS/Lead-Free: <a href="#">Yes Materials Analysis</a>
MAX6734KAZWD3	<input type="button" value="Sample"/>	<input type="button" value="Buy"/>	SOT-23;8 pin; Dwg: <a href="#">21-0078F</a> (PDF) Use pkgcode/variation: K8S-3*	-40°C to +85°C	RoHS/Lead-Free: <a href="#">No Materials Analysis</a>
MAX6734KAVHD3	<input type="button" value="Sample"/>	<input type="button" value="Buy"/>	SOT-23;8 pin; Dwg: <a href="#">21-0078F</a> (PDF) Use pkgcode/variation: K8S-3*	-40°C to +85°C	RoHS/Lead-Free: <a href="#">No Materials Analysis</a>
MAX6734KARVD3	<input type="button" value="Sample"/>	<input type="button" value="Buy"/>	SOT-23;8 pin; Dwg: <a href="#">21-0078F</a> (PDF) Use pkgcode/variation: K8S-3*	-40°C to +85°C	RoHS/Lead-Free: <a href="#">No Materials Analysis</a>
MAX6734KALTD3		<input type="button" value="Buy"/>	SOT-23;8 pin; Dwg: <a href="#">21-0078F</a> (PDF) Use pkgcode/variation: K8S-3*	-40°C to +85°C	RoHS/Lead-Free: <a href="#">No Materials Analysis</a>
MAX6734KASDD3		<input type="button" value="Buy"/>	SOT-23;8 pin; Dwg: <a href="#">21-0078F</a> (PDF) Use pkgcode/variation: K8S-3*	-40°C to +85°C	RoHS/Lead-Free: <a href="#">No Materials Analysis</a>
MAX6734KAZGD3		<input type="button" value="Buy"/>	SOT-23;8 pin; Dwg: <a href="#">21-0078F</a> (PDF) Use pkgcode/variation: K8S-3*	-40°C to +85°C	RoHS/Lead-Free: <a href="#">No Materials Analysis</a>
MAX6734KALTD3-T		<input type="button" value="Buy"/>	SOT-23;8 pin; Dwg: <a href="#">21-0078F</a> (PDF) Use pkgcode/variation: K8S-3*	-40°C to +85°C	RoHS/Lead-Free: <a href="#">No Materials Analysis</a>
MAX6734KASYD3-T		<input type="button" value="Buy"/>	SOT-23;8 pin; Dwg: <a href="#">21-0078F</a> (PDF) Use pkgcode/variation: K8S-3*	-40°C to +85°C	RoHS/Lead-Free: <a href="#">No Materials Analysis</a>
MAX6734KASHD3-T		<input type="button" value="Buy"/>	SOT-23;8 pin; Dwg: <a href="#">21-0078F</a> (PDF) Use pkgcode/variation: K8S-3*	-40°C to +85°C	RoHS/Lead-Free: <a href="#">No Materials Analysis</a>
MAX6734KASHD3+T		<input type="button" value="Buy"/>	SOT-23;8 pin; Dwg: <a href="#">21-0078F</a> (PDF) Use pkgcode/variation: K8S+3*	-40°C to +85°C	RoHS/Lead-Free: <a href="#">Yes Materials Analysis</a>
MAX6734KAVHD3-T		<input type="button" value="Buy"/>	SOT-23;8 pin; Dwg: <a href="#">21-0078F</a> (PDF) Use pkgcode/variation: K8S-3*	-40°C to +85°C	RoHS/Lead-Free: <a href="#">No Materials Analysis</a>
MAX6734KASDD3-T		<input type="button" value="Buy"/>		-40°C to +85°C	RoHS/Lead-Free: <a href="#">No</a>
MAX6734KAYHD3-T		<input type="button" value="Buy"/>	SOT-23;8 pin; Dwg: <a href="#">21-0078F</a> (PDF)	-40°C to +85°C	RoHS/Lead-Free: <a href="#">No Materials Analysis</a>

		Use pkgcode/variation: K8S-3*		
MAX6734KASHD2-T	<a href="#">Buy</a>	SOT-23;8 pin; Dwg: <a href="#">21-0078F</a> (PDF) Use pkgcode/variation: K8S-3*	-40°C to +85°C	RoHS/Lead-Free: <a href="#">No Materials Analysis</a>
MAX6734KARVD3-T	<a href="#">Buy</a>	SOT-23;8 pin; Dwg: <a href="#">21-0078F</a> (PDF) Use pkgcode/variation: K8S-3*	-40°C to +85°C	RoHS/Lead-Free: <a href="#">No Materials Analysis</a>
MAX6734KATZD3-T	<a href="#">Buy</a>	SOT-23;8 pin; Dwg: <a href="#">21-0078F</a> (PDF) Use pkgcode/variation: K8S-3*	-40°C to +85°C	RoHS/Lead-Free: <a href="#">No Materials Analysis</a>
MAX6734KAZGD3-T	<a href="#">Buy</a>	SOT-23;8 pin; Dwg: <a href="#">21-0078F</a> (PDF) Use pkgcode/variation: K8S-3*	-40°C to +85°C	RoHS/Lead-Free: <a href="#">No Materials Analysis</a>
MAX6734KAYDD3-T	<a href="#">Buy</a>	SOT-23;8 pin; Dwg: <a href="#">21-0078F</a> (PDF) Use pkgcode/variation: K8S-3*	-40°C to +85°C	RoHS/Lead-Free: <a href="#">No Materials Analysis</a>
MAX6734KATGD3-T	<a href="#">Buy</a>	SOT-23;8 pin; Dwg: <a href="#">21-0078F</a> (PDF) Use pkgcode/variation: K8S-3*	-40°C to +85°C	RoHS/Lead-Free: <a href="#">No Materials Analysis</a>
MAX6734KAWGD3-T	<a href="#">Buy</a>		-40°C to +85°C	RoHS/Lead-Free: <a href="#">No</a>
MAX6734KAVDD3-T	<a href="#">Buy</a>	SOT-23;8 pin; Dwg: <a href="#">21-0078F</a> (PDF) Use pkgcode/variation: K8S-3*	-40°C to +85°C	RoHS/Lead-Free: <a href="#">No Materials Analysis</a>
MAX6734KAZWD3-T	<a href="#">Buy</a>	SOT-23;8 pin; Dwg: <a href="#">21-0078F</a> (PDF) Use pkgcode/variation: K8S-3*	-40°C to +85°C	RoHS/Lead-Free: <a href="#">No Materials Analysis</a>
MAX6734KASYD3+T	<a href="#">Buy</a>	SOT-23;8 pin; Dwg: <a href="#">21-0078F</a> (PDF) Use pkgcode/variation: K8S+3*	-40°C to +85°C	RoHS/Lead-Free: <a href="#">Yes Materials Analysis</a>
MAX6734KASVD3-T	<a href="#">Buy</a>	SOT-23;8 pin; Dwg: <a href="#">21-0078F</a> (PDF) Use pkgcode/variation: K8S-3*	-40°C to +85°C	RoHS/Lead-Free: <a href="#">No Materials Analysis</a>

[Didn't Find What You Need?](#)



CONTACT US: FEEDBACK, QUESTIONS



RATE THIS PAGE



MAIL THIS PAGE