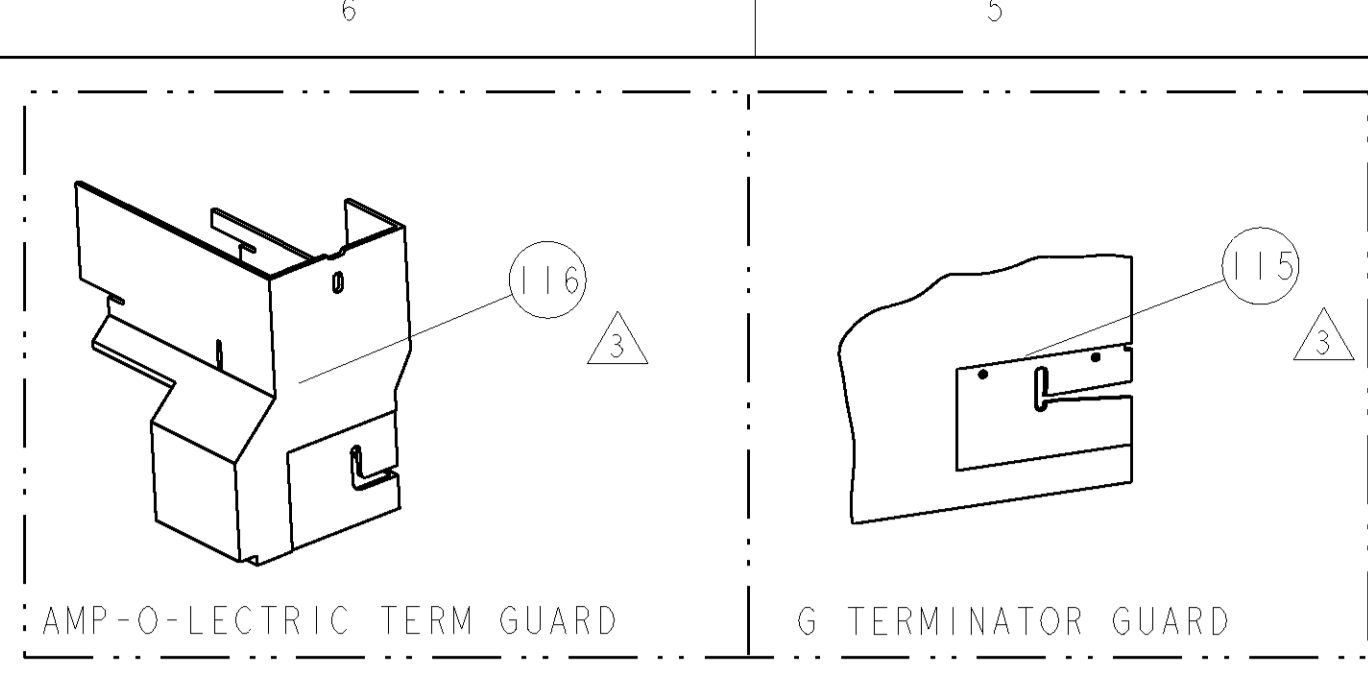


PART NUMBER	REV	FIRST USED	POWER UNIT	FEED TYPE	DESCRIPTION
1855324-1	A	122500-1	LEADMAKER	AIR FEED	CUTS CARRIER
1855324-2	A	565435-5	BENCH MODEL K	AIR FEED	CUTS CARRIER
1855324-3	A	354500-1	BENCH MODEL G	AIR FEED	CUTS CARRIER
7-1855324-7	A	-	-	-	SPARE PARTS

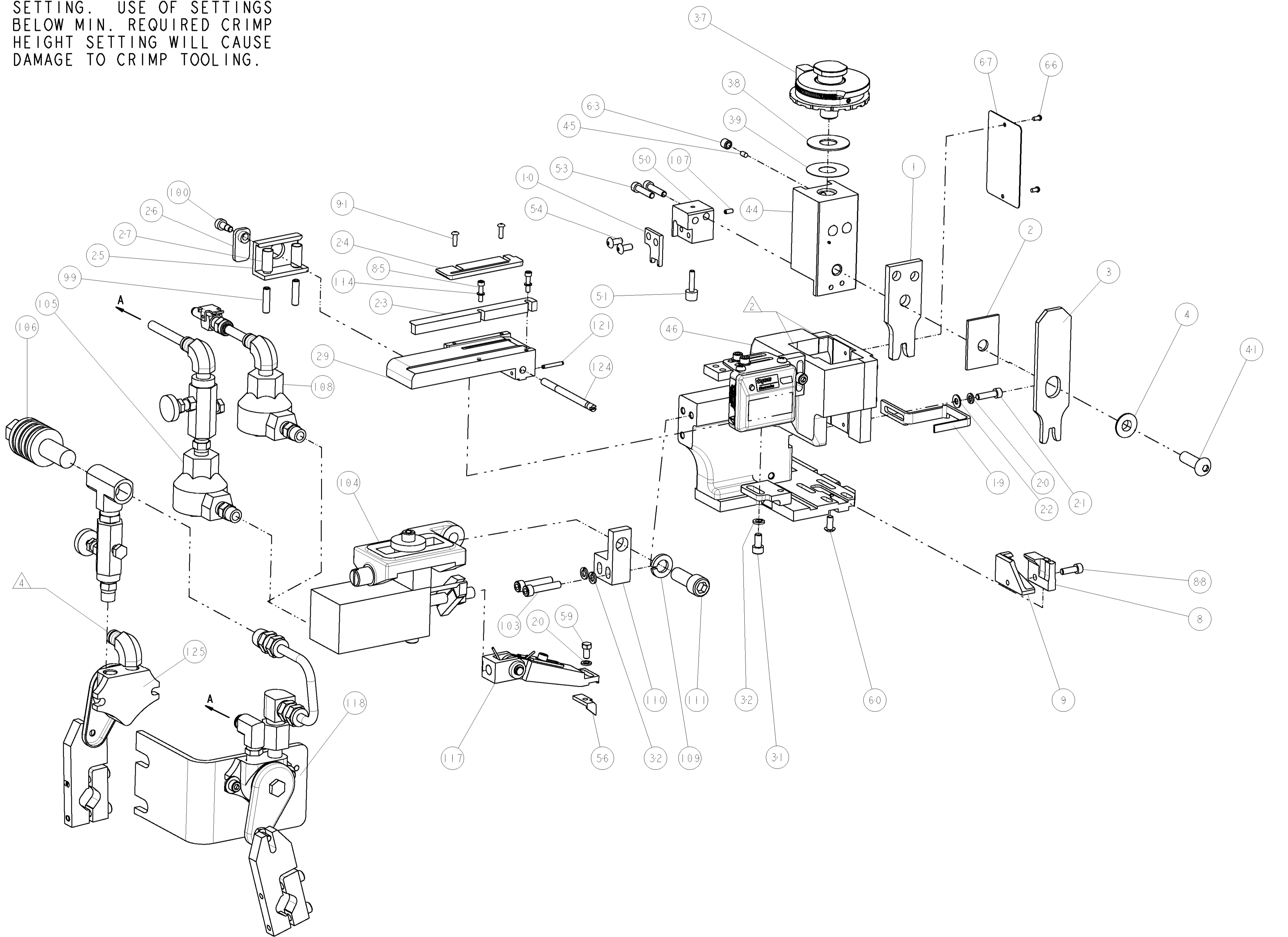
- 1 RECOMMENDED SPARE PARTS
- 2 GREASE LIGHTLY
- 3 GUARD MUST BE IN PLACE WHEN OPERATING APPLICATOR IN A BENCH MACHINE
- 4 INSTALL ITEMS 101, 102 AND 119 ON SIDE OF STRIPPER ON APPL HOUSING USING ITEM 21.

*** WARNING**
ON INSTALLATION, SET WIRE DISC TO LARGEST WIRE SIZE SETTING. USE OF SETTINGS BELOW MIN. REQUIRED CRIMP HEIGHT SETTING WILL CAUSE DAMAGE TO CRIMP TOOLING.



TERMINAL NAME: MEDIUM RING TERMINAL					
TE PN	MANUF PN	PACKARD TERM - PACKARD CRIMP SPECS			REF SETTING
1949180-1	12103513				
-	-	CRIMP HEIGHT		WIRE SIZE	
-	-	2.60±0.05mm [.102±.002]		3mm2	C3
-	-	2.45±0.05mm [.097±.002]		2mm2	D2
-	-	-		-	-
-	-	CRIMP	SIZE	TYPE	RANGE
-	-	WIRE	4.32mm [.170]	F	2.00-3.00 mm2
-	-	INSUL	5.00mm [.197]	F	Ø3.7 mm MAX
WIRE STRIP LENGTH	TERM APPL SPEC	FEED	APPLICATOR INSTRUCTIONS		SET UP GAGE
4.90-5.28mm	NONE	13.89mm	408-8040		458637-1

LOC	DIST	REVISIONS					
A	66	P	LTR	DESCRIPTION	DATE	DWN	APPR
		A		PRODUCT RELEASE	02OCT2007	CMR	TE



-	-	1	-	-	455350-4	AIR BLAST ASS'Y	125
-	-	1	1	1	690432-3	ADJUSTMENT SCREW	124
-	1	1	1	-	3-21028-9	PIN, SLOTTED SPRING .094 X .688	121
-	18	24	18	IN	27319-4	TUBING, POLY-FLO, NATURAL	119
-	-	1	-	-	692655-6	AIR FEED VALVE ASSEMBLY	118
-	-	1	1	-	461062-1	FEED FINGER ASSEMBLY	117
-	-	REF	-	..	455749-1	GUARD WINDOW	116
-	REF	-	-	..	679532-1	INSERT, GUARD	115
-	2	2	2	-	21024-2	WASHER, SPRG LOCK, REG NO 4	114
-	1	1	1	-	3-21001-5	SCR, SKT HD CAP 3/8-16 X 1.000	111
-	1	1	1	-	459610-1	MOUNT, FEED BRACKET	110
-	1	1	1	-	21024-8	WASHER, SPRG LOCK, REG 3/8	109
-	1	-	1	-	692655-7	AIR FEED VALVE ASSEMBLY	108
-	1	1	1	-	2-21006-1	SCR, SET, CUP POINT 4-40 X .250	107
-	-	1	-	-	24042-2	VALVE, SLEEVE, 3-WAY	106
-	-	1	-	-	692655-5	AIR FEED VALVE ASSEMBLY	105
-	1	1	1	-	461065-1	ASSEMBLY, AIR FEED	104
-	2	2	2	-	3-21000-9	SCR, SKT HD CAP 10-32 X 1.000	103
-	1	1	1	-	986220-3	CLAMP, CABLE, BLACK	102
-	1	1	1	-	23238-1	INSERT, COUPLING	101
-	1	1	1	-	22353-8	SCR, SHLD, SLOT HD, 3/16 DIA	100
-	2	2	2	-	5-21006-6	SCR, SET, CUP POINT 10-32 X .750	99
-	2	2	2	-	1-21002-4	SCR, BTN SKT HD CAP 4-40 X .375	91
-	1	1	1	-	2-21000-7	SCR, SKT HD CAP 8-32 X .500	88
-	2	2	2	-	1-21000-5	SCR, SKT HD CAP 4-40 X .500	85
-	1	1	1	-	4088040	SF APPL INST 408-8040	72
-	1	1	1	-	217238-1	GENERAL INSTRUCTION PKG	71
-	1	1	1	-	461264-5	PLATE, IDENTIFICATION	67
-	2	2	2	-	21017-2	SCREW, DRIVE	66
-	1	1	1	-	21009-2	SCR, SET, SELF LOCKING 1/4-20 X .250	63
-	1	1	1	-	22733-8	SCR, BHSC, SELF-LOCKING, 8-32 X .375	60
-	1	1	1	-	2-22603-0	SCR, HEX HD CAP 8-32 X .312	59
-	1	1	1	-	3-694433-9	FEED PAWL	56
-	2	2	2	-	2-21002-1	SCR, BTN SKT HD CAP 8-32 X .375	54
-	2	2	2	-	2-21000-9	SCR, SKT HD CAP 8-32 X .750	53
-	1	1	1	-	811242-2	BUMPER, HOLD DOWN	51
-	1	1	1	-	1583893-7	HOLDER, SLUG BLADE	50
-	1	1	1	-	1633399-1	APPL., BASIC AIR FEED SUB ASSY	46
-	1	1	1	-	690191-1	PLUG, NYLON	45
-	1	1	1	-	1-455673-4	RAM, SIDE FEED	44
-	1	1	1	-	7-21002-9	SCR, BTN SKT HD CAP 5/16-24 X 1.00	41
-	1	1	1	-	690125-1	SHIM SUB-ASSY	39
-	1	1	1	-	469367-7	SHIM	38
-	1	1	1	-	879103-2	FINE ADJUST HEAD ASSEMBLY	37
-	3	3	3	-	21024-5	WASHER, SPRG LOCK, REG NO 10	32
-	1	1	1	-	3-21000-4	SCR, SKT HD CAP 10-32 X .375	31
-	1	1	1	-	2-844048-9	PLATE, REAR STRIP GUIDE	29
-	2	2	2	-	22281-9	SPRING, COMPRESSION	27
-	1	1	1	-	240793-1	LEVER, DRAG RELEASE	26
-	1	1	1	-	240792-1	DRAG, TERMINAL	25
-	1	1	1	-	1633497-2	REAR STRIP GUIDE	24
-	1	1	1	-	2-189124-1	GUIDE, FRONT STRIP	23
-	1	1	1	-	21055-6	WASHER, FLAT, REG NO 8	22
-	1	1	1	-	2-21000-8	SCR, SKT HD CAP 8-32 X .625	21
-	2	2	2	-	21024-4	WASHER, SPRG LOCK, REG NO 8	20
-	1	1	1	-	1-456468-1	STRIPPER, SPECIAL	19
-	1	1	1	-	1583859-7	BLADE, SLUG	10
-	1	1	1	-	1633124-9	PLATE, REAR SHEAR	9
-	1	1	1	-	1633507-6	ANVIL, SPECIAL, COMBINATION	8
-	1	1	1	-	1-238009-1	BLOCK, FL CRIMPER SPACER	4
-	1	1	1	-	2-1424909-2	CRIMPER, INSULATION F	3
-	1	1	1	-	1-455888-7	SPACER, CRIMPER	2
-	1	1	1	-	3-1490019-2	CRIMPER, WIRE PREMIUM	1

DIMENSIONS: INCHES		TOLERANCES UNLESS OTHERWISE SPECIFIED:		DWN: C. REICHEL/DEFER		DATE: 13SEPT2007		TycO Electronics		Tyeo Electronics Harrisburg, PA 17105-3608	
1	PLC	±		1	PLC	±0.1		NAME: FINE ADJUST SIDE FEED HDM APPLICATOR			
2	PLC	±0.01		2	PLC	±0.01		PRODUCT SPEC: -			
3	PLC	±0.001		3	PLC	±0.001		APPLICATION SPEC: -			
4	PLC	±0.0001		4	PLC	±0.0001		SIZE: A1 00779 C=1855324			
MATERIAL: -		FINISH: -		WEIGHT: -		SCALE: 3:5		SHEET: 1 OF 1		REV: A	

CUSTOMER VIEWABLE ASSEMBLY