

# METP. | Balanced crank handle

Technopolymer



## MATERIAL

Glass-fibre reinforced polyamide based (PA) technopolymer, black colour, matte finish. Balancing by means of an incorporated counterweight.

## CENTRE CLOSING CAP

Technopolymer, black colour. On request and for sufficient quantities it can be supplied in other colours and customised with marks or words.

## STANDARD EXECUTION

Black-oxide steel boss, H7 reamed hole.

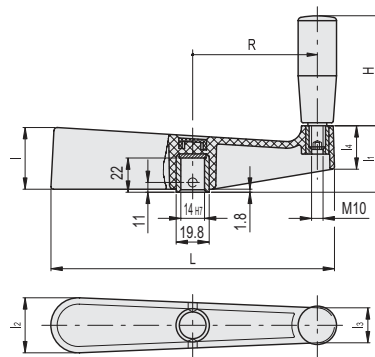
Reamed hole provided with centres already drilled for pinning to shaft. Revolving handle 1.601+x (see page 499) in technopolymer.

## FEATURES

Its surface with matte finish allows a sensible grip during operation, even in case of short approach controls. The revolving handle makes high-speed rotation easier.



ELESA Original design



Code	Description	dH7	L	l	l1	l2	l3	l4	H	R	⚖
38901	METP.170	14	170	37	39	33	21	25	65	74	275

Conversion Table	
1 mm = 0,039 inch	
L	
mm	inch
170	6.69

- 1
- 2
- 3
- 4
- 5
- 6
- 7
- 8
- 9
- 10
- 11
- 12
- 13
- 14
- 15
- RH

Operating elements