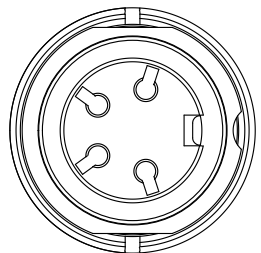
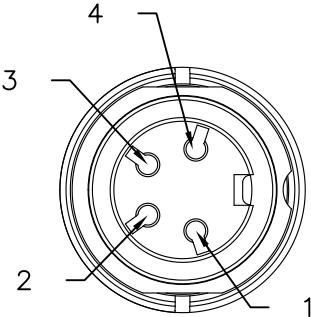


PART NUMBER	LENGTH (METERS)
CA0911F114003	0.3M (0.98 FEET)
CA0911F114005	0.5M (1.64 FEET)
CA0911F114010	1M (3.28 FEET)

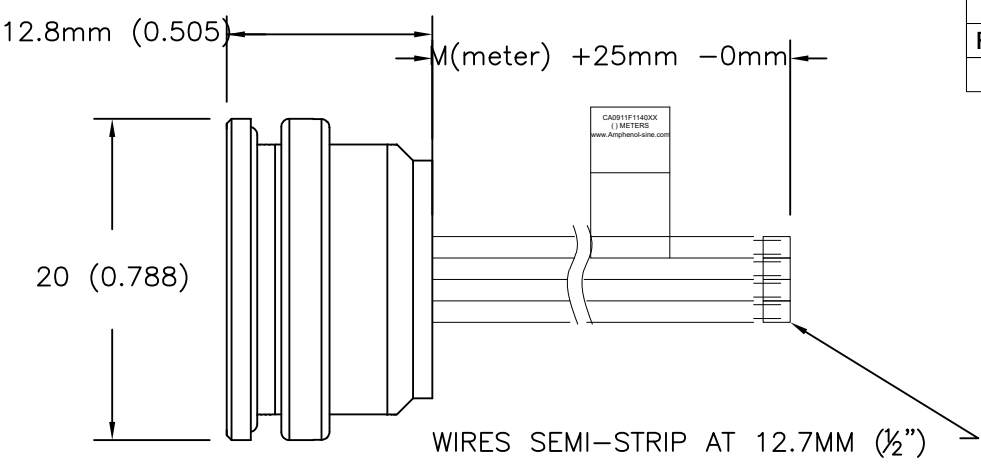
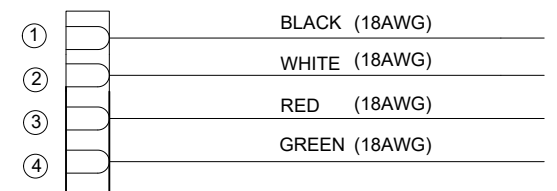


FEMALE RECEPTACLE



FACE VIEW

WIRING DIAGRAM

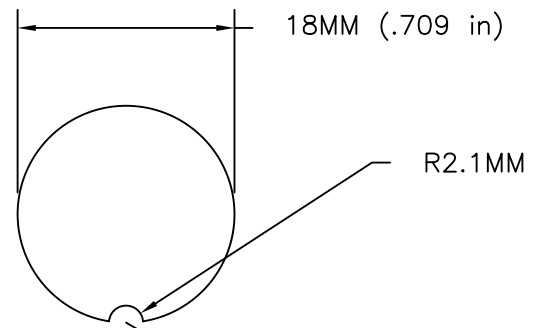


REVISIONS						
REV	ZONE	ECO	DESCRIPTION	DATE	BY	APPR
A1	-	-	TECHNICAL DATA SHEET RELEASE	20-JULY-17	RO	-

CAN BE USED WITH MATING MALE CABLE # CA0911A400801012

CONTACT YOUR DISTRIBUTOR FOR OTHER MATING OPTIONS

INSTALLATION NOTES & PANEL CUTOUT



FOR SEALING REASONS THE SURFACE FOR THE GASKET NEEDS TO BE LEVEL AND FREE OF BURRS.

PANEL THICKNESS: MAX 3.5MM
TIGHTENING TORQUE 0.7NM
RECOMMENDED TOOL: N450910001

- 1) MATERIALS:
HOUSING MATERIAL: ZINC DIE CAST
INSULATION INSERT: THERMOPLASTIC
CONTACT: SILVER PLATED
WIRE RATING: 18 AWG, UL STYLE 1569 300V 105°C (AWM), CSA TYPE TR-64 300V 90°C, UL VW-1 FLAME TEST
CABLE JACKET MATERIAL: PVC
NUMBER OF CONDUCTORS: (4) 18AWG
- 2) CONNECTOR ELECTRICAL DATA:
CURRENT (MAX): 10A AT 40°C
VOLTAGE (MAX): 250V AC/DC PER UL 1977
INSULATION RESISTANCE: 10M OHMS PER IEC 60512-3-1
RATED IMPULSE WITHSTAND VOLTAGE: 1500V PER IEC60664-1
- 3) CONNECTOR MECHANICAL DATA:
TEMPERATURE RANGE: -40°C TO +100°C
PROTECTION: IP67/IP68 (PER MATED CONDITION)
MATING CYCLES: >500
- 4) RoHS COMPLIANT

QUANTITY	PART NUMBER	DESCRIPTION	ITEM
MATERIALS LIST			
UNLESS OTHERWISE SPECIFIED 1) All dimensions are in metric(mm). 2) Tolerances are as follows: 1 PL DEC ±0.30 2 PL DEC ±0.15 3 PL DEC ±0.08 3) Note reference =		SIGNATURES DRAWN: RO CHECKED: AA ENGINEER: RO APPROVAL: WS	DATE 20-JUNE-17 21-JUNE-17 24-JUNE-17
MATERIAL SPECIFICATIONS:		<h1>Amphenol</h1> Sine Systems - www.amphenol-sine.com 44724 Morley Drive Clinton Township, MI 48036	
PROCESS SPECIFICATIONS: IPC-WHMA-A-620			
NEXT ASSY:		CUSTOMER:	
THIS DRAWING IS SUPPLIED FOR INFORMATION ONLY. DESIGN FEATURES, SPECIFICATIONS AND PERFORMANCE DATA SHOWN HEREON ARE THE PROPERTY OF THE AMPHENOL CORPORATION. NO RIGHTS OF REPRODUCTION ARE IMPLIED. ALL DIMENSIONS ARE SUBJECT TO NORMAL MANUFACTURING VARIATIONS.		SIZE: C-	TYPE: CA0911F1140XX
		SCALE: HALF	REVISION: A1
		CA0911F1140XX	SHEET 1 OF 1

