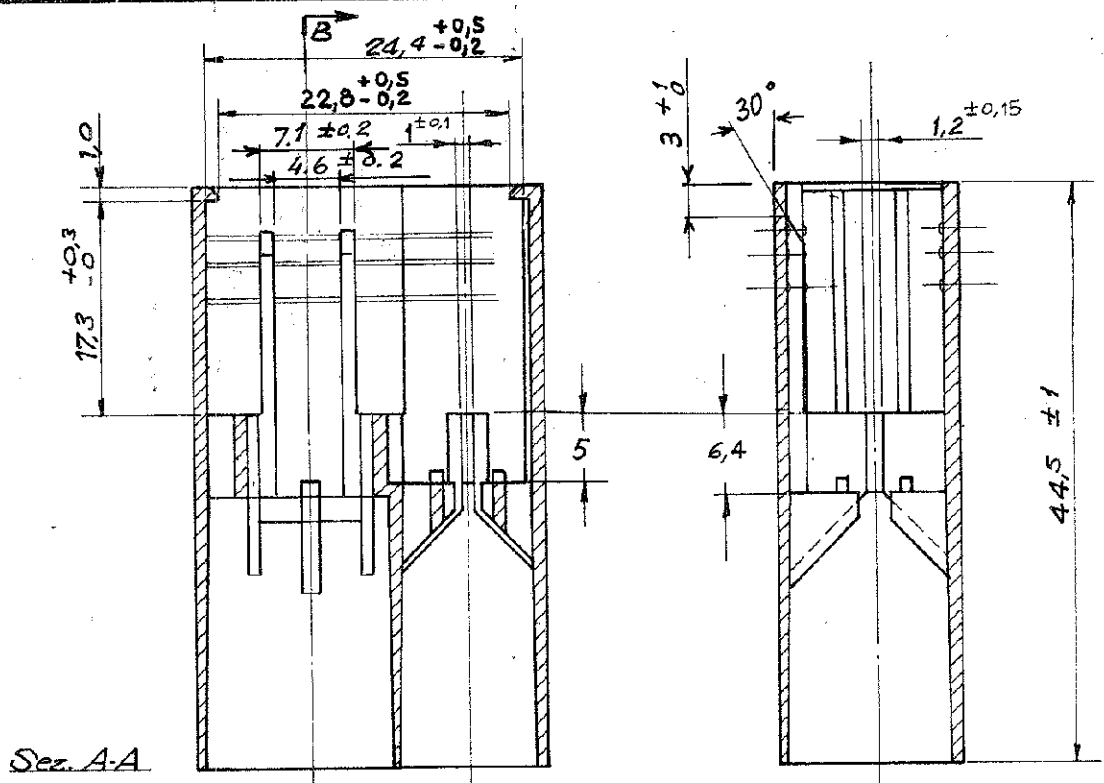
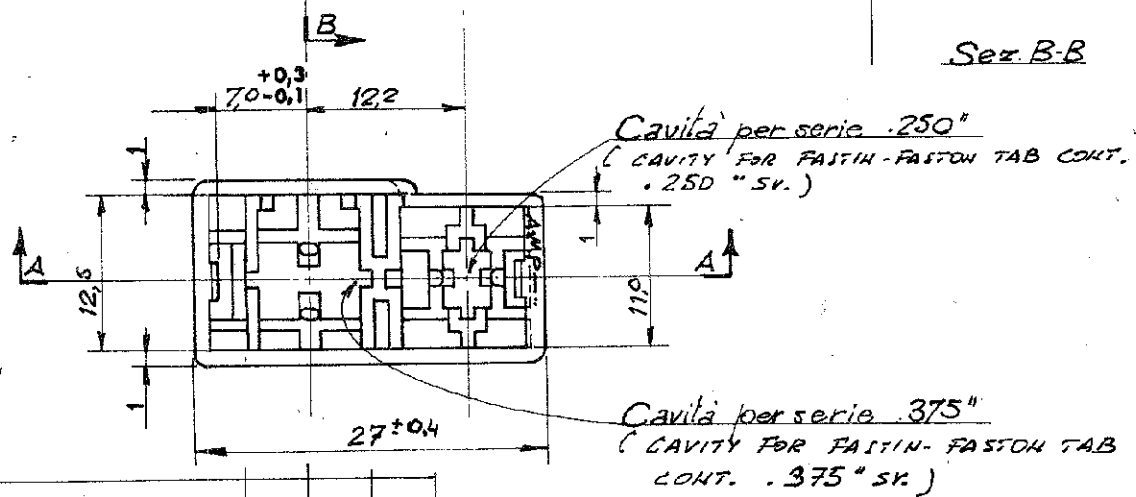


NUMBER
C-280924-



Sec. A-A

Sec. B-B



DIMENSIONS IN MM. DO NOT SCALE PRINT

F	AGGIORNATO (AGG. NERVAT.)	TC	7 AGO. '92
E	ADDED RED VERSION (.../1)	S. Spavanti	11-09/86
D	AGGIORNATO	S. Spavanti	1/3/85
C	Revisionato	EB Cf.	6-6/83
B	ADDED BLACK VERSION (.../5)	S. Spavanti	22/5/80
A	in Produzione	Spavanti	24-3-78
2	AGGIORNATO	S. Spavanti	9/11/77
1	ERA IA-77-5335	S. Spavanti	20/10/77

© 1977 BY AMP INCORPORATED. ALL RIGHTS RESERVED. AMP PRODUCTS COVERED BY PATENTS AND OR PATENTS PENDING.

CUSTOMER COPY
REFERENCE ONLY

MATERIAL AND FINISH
POLIAMMIDE 6/6
280924-0 NATURAL
280924-5 BLACK
280924-1 RED



AMP ITALIA
VIA CERV1 15
COLLEGNO (TORINO)

DR	REVISION	REC'D	OR	CHK	DATE
	27-6				28-6-77
	77				
	28/6/77				

TOLERANCE EXCEPT AS NOTED
±0.3 ±1P 0'

SCALE
2:1

LOC [A] NO C-280924

NAME BLOCCHETTO 2 VIE A"11, FASTIN-FASTON PER TERMINALE MASCHIO SERIE .250" E .375"