

- 1
- 2
- 3
- 4
- 5
- 6
- 7
- 8
- 9
- 10
- 11
- 12
- 13
- 14
- 15
- 16
- 17
- 18

**MATERIAL**

Glass-fibre reinforced polyamide based (PA) technopolymer, grey-black colour, matte finish.

**STANDARD EXECUTIONS**

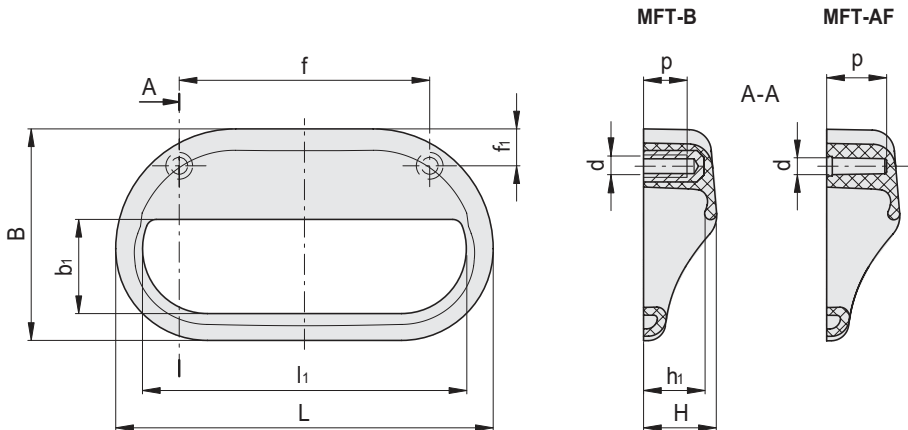
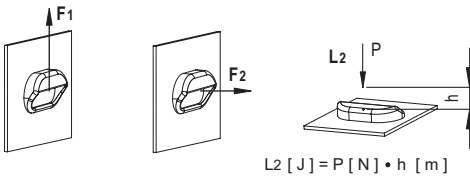
- **MFT-B**: brass bosses, threaded blind holes. Fitting by means of no. 2 screws M5, not included in the supply.
- **MFT-AF**: blind holes for fitting by means of no. 2 self-tapping screws for plastic materials Ø5 (UNI ISO 7049), not included in the supply.

**TECHNICAL DATA**

Tensile stress and impact strength: F1, F2 and L2 values reported in the table are the result of breaking tests, carried out with the appropriate dynamometric equipment, under the test conditions shown in the figure with ambient temperature.



ELESA Original design



Conversion Table 1 mm = 0.039 inch	
mm	inch
108	4.25

**METRIC**

Code	Description	L	f±0.5	d	f1	H	h1	B	b1	l1	p	F1 [N]	F2 [N]	L2 [J]	
43941	MFT.110-B M5	108	71	M5	11	20.5	17.5	60	26.5	91	12	2400	1400	6	31
43945	MFT.110-AF 4,8	108	71	4.5	11	20.5	17.5	60	26.5	91	15.5	1600	1300	6	36