

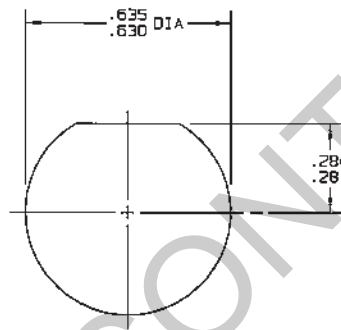
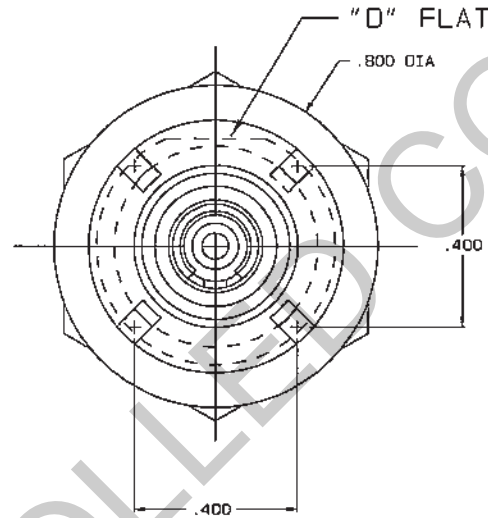
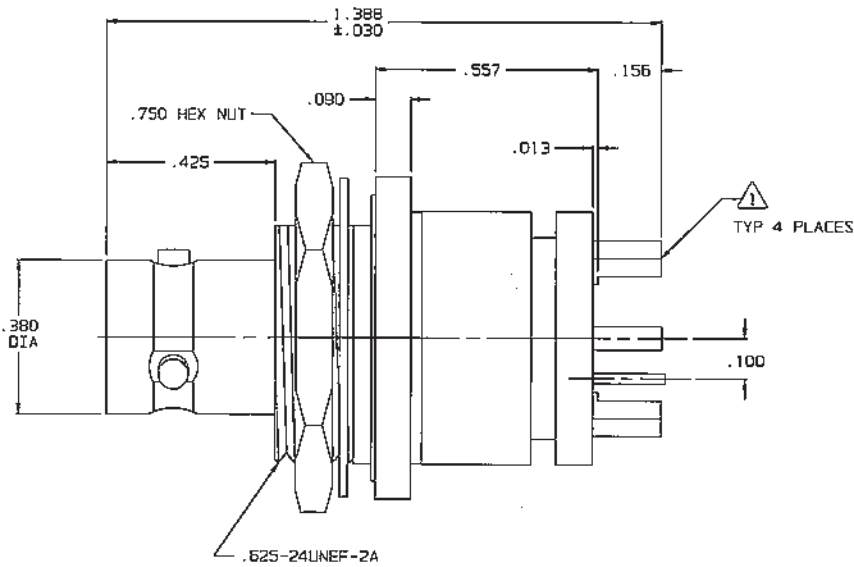
DATA CONTAINED IN THIS DOCUMENT IS PROPRIETARY TO TROMPETER ELECTRONICS INC. AND SHALL NOT BE DISCLOSED, COPIED OR USED FOR PROCUREMENT OR MANUFACTURE WITHOUT EXPRESS WRITTEN PERMISSION OF TROMPETER ELECTRONICS INC.

REVISIONS

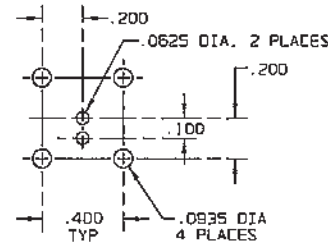
3-0282

SH 1

REV	DESCRIPTION	DATE	APPROVED
C	REVISED PER ECO #15165	11/6/03	<i>WJG</i>



RECOMMENDED
PANEL CUTOUT



RECOMMENDED
MTG HOLE PATT
SCALE: NONE

RED INDICATES ORIGINAL

4. MAXIMUM PANEL THICKNESS .109

3. FEMALE 3-LUG CONCENTRIC TWINAX / TRIAX CIRCUIT BOARD AND INSULATING BULKHEAD MOUNT RECEPTACLE

2. FINISH: YFS-1A (NICKEL)

⚠ PRE-TINNED, .0015 MAXIMUM THICKNESS WITH SN63 OR EQUIV SOLDER, PER BG-S-571, TO WITHIN .060 MAXIMUM OF SHOULDER, AFTER PLATING

INTERPRET DRAWING PER MIL-STD-100 DIMENSIONS ARE IN THICKS AND INCLUDE FINISH THICKNESS UNLESS OTHERWISE SPECIFIED

TOL: UNLESS SPECIFIED
.XX
.XXX ±.005
.XXXX ±.0010
ANGLES

DRAWN	DATE	MATERIAL:
PD	11-04-03	
CHECKED		
<i>T.Kha</i>	11-4-03	
QUALITY		
<i>WJG</i>	11/6/03	
FINISH:		
<i>WJG</i>	11/6/03	
APPROVED		
<i>WJG</i>	11/6/03	

TROMPETER
RF connectivity
a cinch connectivity solutions brand

TITLE: CBBJ74			
SIZE	EAGE CODE	DRAWING NO.	REV.
A	14949	3-0282	C
SCALE	DATE:	SHEET	
4/1	5-20-92	1C	

NEXT ASSY CAD FILE NO. 3-0282C DO NOT SCALE DRG