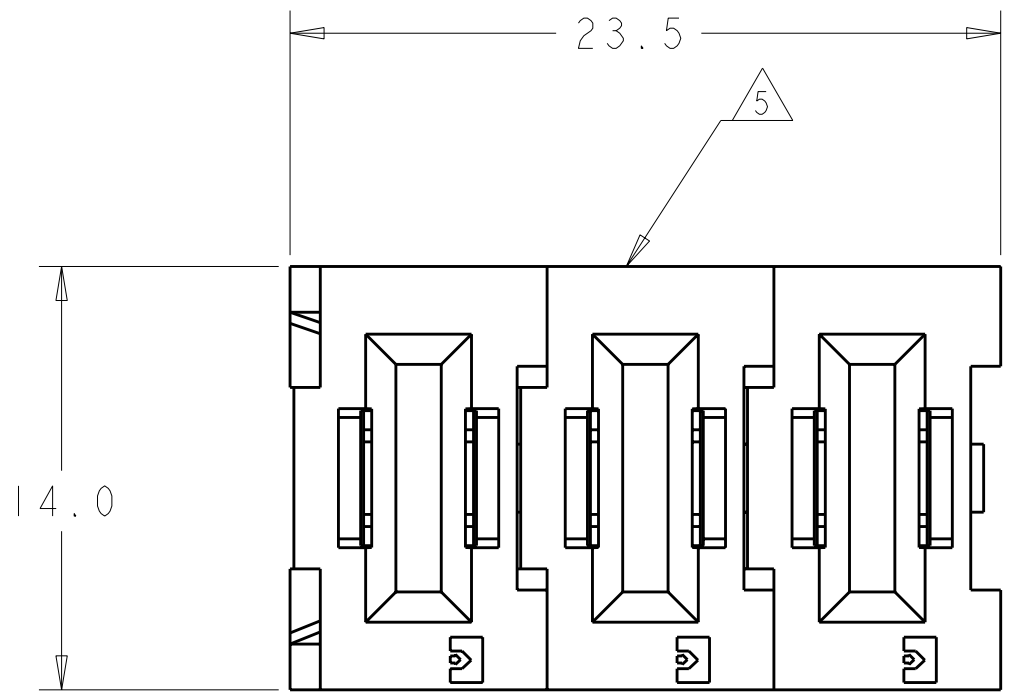


THIS DRAWING IS UNPUBLISHED. RELEASED FOR PUBLICATION 20  
 © COPYRIGHT 20 BY TYCO ELECTRONICS CORPORATION. ALL RIGHTS RESERVED.

LOC	DIST	REVISIONS					
GP	00	P	LTR	DESCRIPTION	DATE	DWN	APVD
		C		REV PER ECO-08-019721	26AUG2008	RG	PD
		D		REV PER ECO-08-025026	14OCT2008	RG	PD



1. PART NUMBER CHANGES AND OR DESIGN CHANGES AFFECTING ITEM INTERCHANGEABILITY REQUIRE PRIOR TYCO ELECTRONICS APPROVAL AND AUTHORIZATION BY REVISION TO THIS DRAWING.

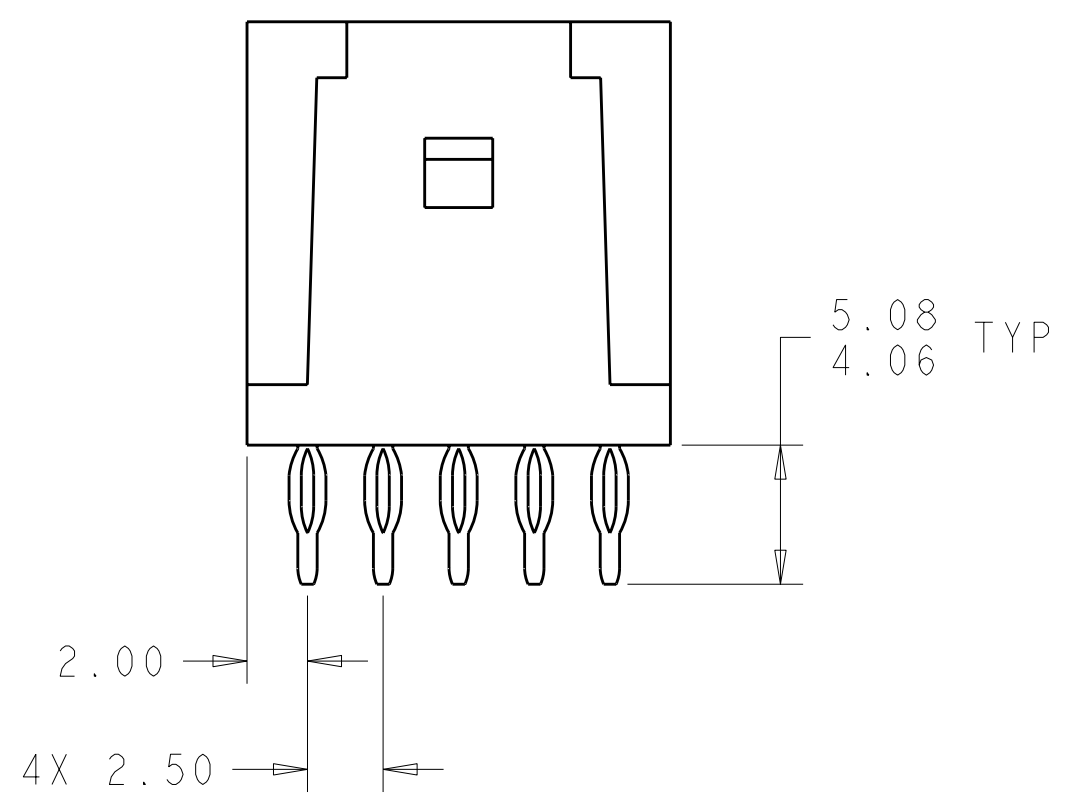
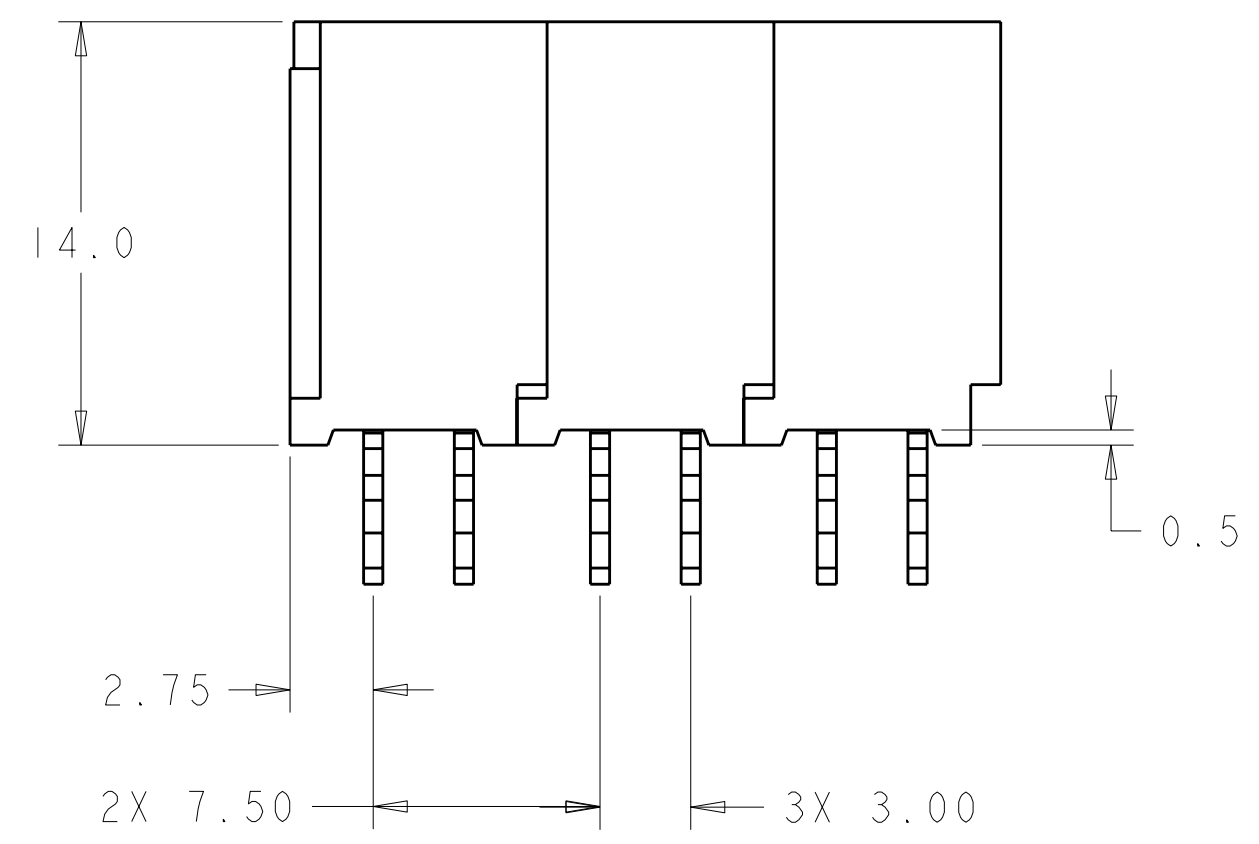
△ MATERIAL:  
 INSULATORS - THERMOPLASTIC, GLASS REINFORCED, COLOR: BLACK  
 UL94V-0 FLAMMABILITY RATED.  
 POWER CONTACTS - PHOSPHOR BRONZE ALLOY, COPPER ALLOY  
 CROWN BANDS - BERYLLIUM COPPER ALLOY

△ FINISH:  
 CONTACTS - GOLD PLATE .76µm MIN. THK. OVER NICKEL  
 1.27µm MIN. THK  
 COMPLIANT TAILS, TIN/LEAD 2.54µm MIN. THK.  
 OVER NICKEL 1.27µm MIN THK.

4. THIS CONNECTOR MATES WITH SOCKET CONNECTOR P/N 1646904-1

△ ITEMS PROVIDED TO THIS SPECIFICATION TO BE PERMANENTLY IDENTIFIED ON THE CONTAINER PER THE FOLLOWING IDENTIFIER LABEL  
 YEAR    WEEK   

TYCO ELECTRONICS P/N DATE CODE (e.g. 0106)  
 XXXXXXXX-X XXXX



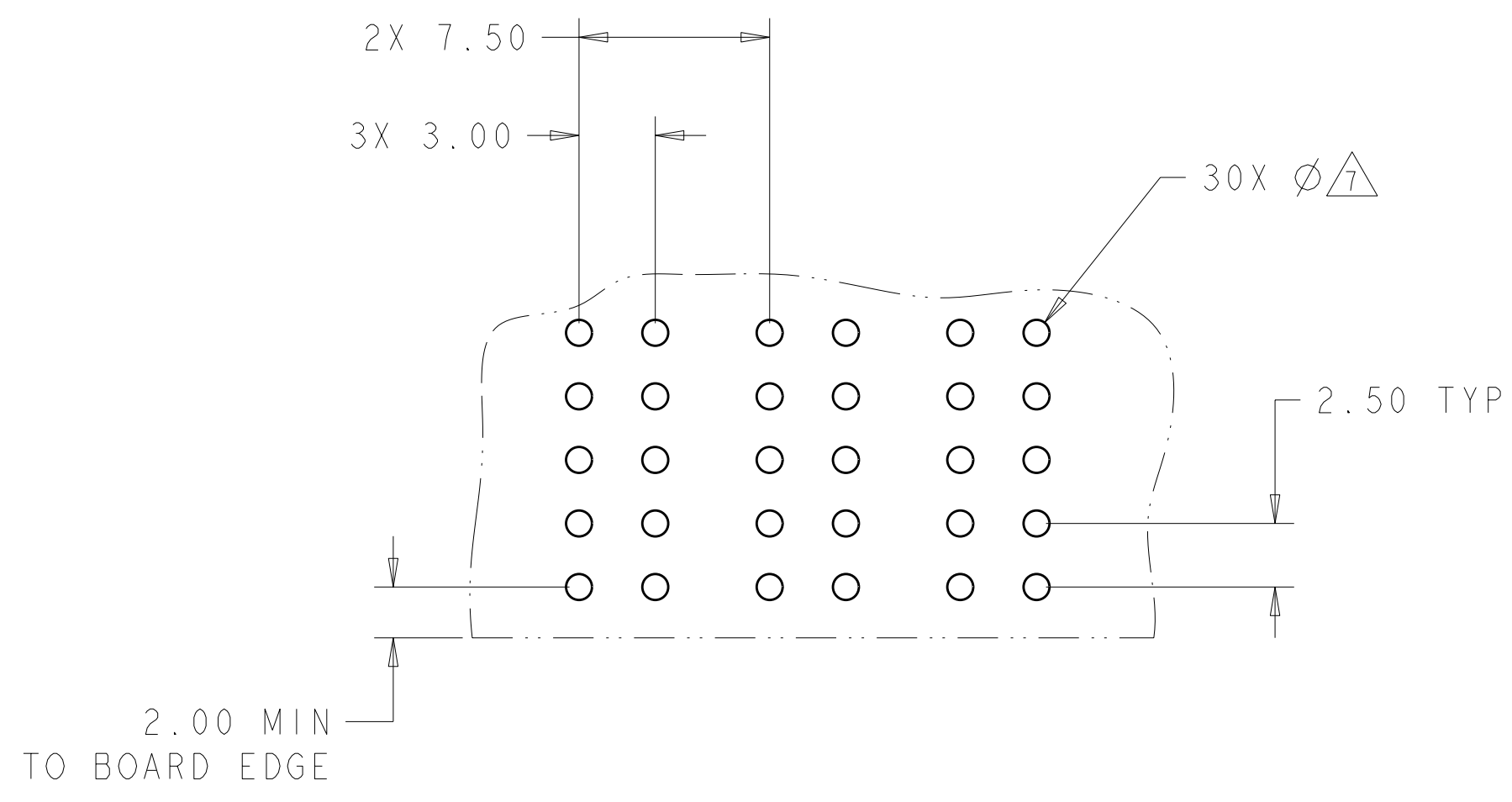
AS SHOWN	1646505-1
DESCRIPTION	PART NUMBER

THIS DRAWING IS A CONTROLLED DOCUMENT FOR TYCO ELECTRONICS CORPORATION. IT IS SUBJECT TO CHANGE AND THE CONTROLLING ENGINEERING ORGANIZATION SHOULD BE CONTACTED FOR THE LATEST REVISION.		DWN HA/GRZYBOWSKI 01/28/00	Tyco Electronics Harrisburg, PA 17105-3608	
DIMENSIONS: mm		CHK P. DAMATO	NAME SOCKET CONNECTOR ASSEMBLY RIGHT ANGLE, COMPLIANT TAILS FLATPAQ	
TOLERANCES UNLESS OTHERWISE SPECIFIED: 0 PLC ±.5 1 PLC ±.5 2 PLC ±.25 3 PLC ±. 4 PLC ±. ANGLES ±5 FINISH		APVD CHAU/PERCHERKE 05/03/05	RESTRICTED TO	
MATERIAL △ 2 -		PRODUCT SPEC - APPLICATION SPEC -	SIZE A200779	CAGE CODE C-1646505
		WEIGHT -	SCALE 4:1	SHEET 1 OF 3
		CUSTOMER DRAWING	REV D	

**ELCON FLATPAQ**

THIS DRAWING IS UNPUBLISHED. RELEASED FOR PUBLICATION 20  
 © COPYRIGHT 20 BY TYCO ELECTRONICS CORPORATION. ALL RIGHTS RESERVED.

LOC	DIST	REVISIONS			
P	LTR	DESCRIPTION	DATE	DWN	APVD
GP	00	-	SEE SHEET 1	-	-



PRINTED CIRCUIT LAYOUT  
COMPONENT SIDE

CONNECTOR	CATALOG MODULE #	QTY	SIZE NO.	CONTACT QTY	MATING PIN	MAX. CURRENT (PER CONTACT)	CONTACT SPACING	VOLTAGE RATING
SOCKET	FP200	3	8	3	1.25 X 7.00 [.049 X .276]	35 amps	7.50 [.2953]	250 VOLTS

THIS DRAWING IS A CONTROLLED DOCUMENT FOR TYCO ELECTRONICS CORPORATION. IT IS SUBJECT TO CHANGE AND THE CONTROLLING ENGINEERING ORGANIZATION SHOULD BE CONTACTED FOR THE LATEST REVISION.

DWN: HA/GRZYBOWSKI 01/28/00  
 CHK: P. DAMATO  
 APVD: CHAU/PERCHERKE 05/03/05

Tyco Electronics  
 Harrisburg, PA 17105-3608

NAME: SOCKET CONNECTOR ASSEMBLY  
 RIGHT ANGLE, COMPLIANT TAILS  
 FLATPAQ

SIZE: A2 CAGE CODE: 00779 DRAWING NO: 1646505 RESTRICTED TO: -

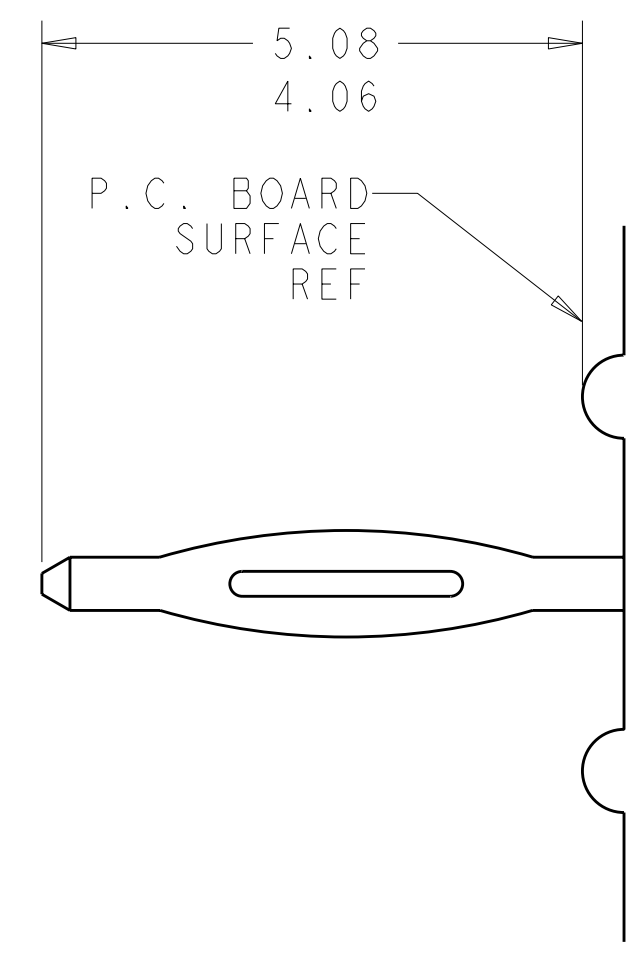
MATERIAL: - FINISH: - WEIGHT: -

CUSTOMER DRAWING SCALE: 4:1 SHEET 2 OF 3 REV D

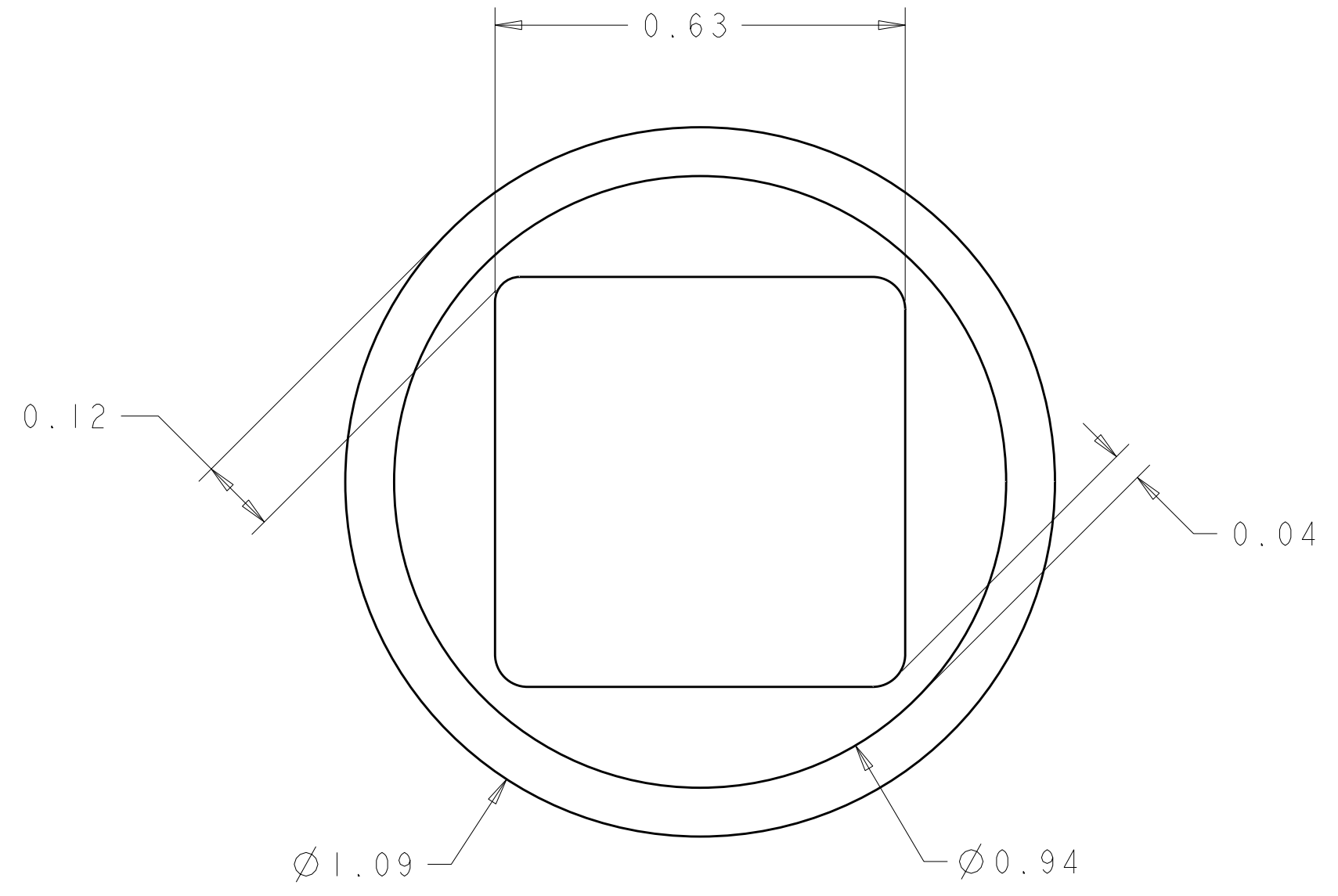
**ELCON** **FLATPAQ**

THIS DRAWING IS UNPUBLISHED. RELEASED FOR PUBLICATION 20  
 © COPYRIGHT 20 BY TYCO ELECTRONICS CORPORATION. ALL RIGHTS RESERVED.

LOC	DIST	REVISIONS			
P	LTR	DESCRIPTION	DATE	DWN	APVD
GP	00	-	SEE SHEET 1	-	-



6. COMPLIANT PIN DETAIL  
 SCALE 10 : 1  
 INSERTION/EXTRACTION FORCES  
 MAXIMUM PUSH IN: 133.3N PER PIN  
 [30 LBS]  
 MINIMUM PUSH OU: 44.4N PER PIN  
 [10 LBS]



7. SOLDER TERMINATION AREA  
 SCALE 40:1  
 RECOMMENDED PRINTED CIRCUIT HOLE  
 COMPLIANT PRESS FIT  
 DRILLED HOLE:  $\varnothing 1.15$  [.0453]  $\pm 0.013$  [.0005]  
 COPPER PLATE: .025 [.0010] TO .050 [.0020]  
 TIN PLATE: .0005 [.000020] MIN. (PER SURFACE)

**ELCON** **FLATPAQ**

THIS DRAWING IS A CONTROLLED DOCUMENT FOR TYCO ELECTRONICS CORPORATION IT IS SUBJECT TO CHANGE AND THE CONTROLLING ENGINEERING ORGANIZATION SHOULD BE CONTACTED FOR THE LATEST REVISION.		DWN HA/GRZYBOWSKI 01/28/00	Tyco Electronics Harrisburg, PA 17105-3608	
DIMENSIONS: mm		CHK P. DAMATO	NAME SOCKET CONNECTOR ASSEMBLY RIGHT ANGLE, COMPLIANT TAILS FLATPAQ	
TOLERANCES UNLESS OTHERWISE SPECIFIED:		APVD CHAU/PERCHERKE 05/03/05	SIZE A200779	CAGE CODE C-1646505
0 PLC $\pm .5$ 1 PLC $\pm .5$ 2 PLC $\pm .25$ 3 PLC $\pm .5$ 4 PLC $\pm .5$ ANGLES $\pm 5$ FINISH		PRODUCT SPEC - APPLICATION SPEC -	DRAWING NO -	RESTRICTED TO -
MATERIAL -		WEIGHT -	CUSTOMER DRAWING	
		SCALE 4:1	SHEET 3	OF 3 REV D