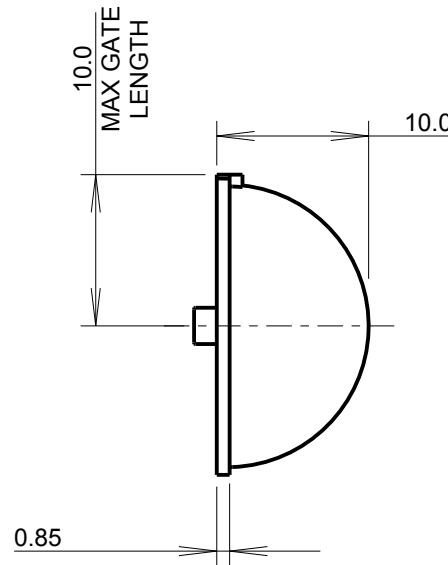
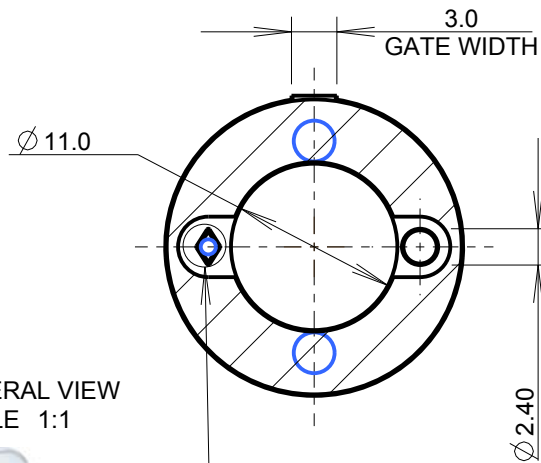
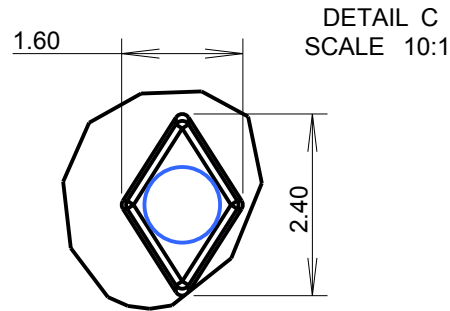
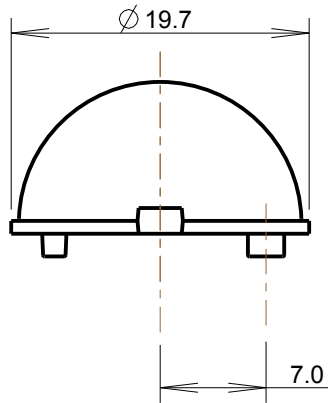


ISS.	DATE	E.C.N.	DESCRIPTION
1	10-Apr-08		FIRST ISSUE

## CUSTOMER DRAWING

SCALE 2:1



MATERIAL: POLYCARBONATE

CARCLO TECHNICAL PLASTICS (SLOUGH)  
111 BUCKINGHAM AVE, SLOUGH  
SL1 4PF, ENGLAND

TEL: +44 1753 575011 FAX: +44 1753 811359  
e-mail: design@carclo-optics.com}

GENERAL TOLERANCES (UNLESS STATED)

LINEAR	ANGULAR
X +/- 0.25	X +/- 1°
X.X +/- 0.1	X.X +/- 0.5°
X.XX +/- 0.05	X.XX +/- 0.1°

CUSTOMER

CARCLO

TITLE

120 DEGREE LED  
BUBBLE OPTIC

DRAWN

AJD

DATE

10-Apr-08

CHK'D

MB

DATE

10-Apr-08

APP'D

AJD

DATE

10-Apr-08

SCALE

2:1

CARCLO PART No.

10403

SIZE

A4

CARCLO DRG. No.

60521

SHEET

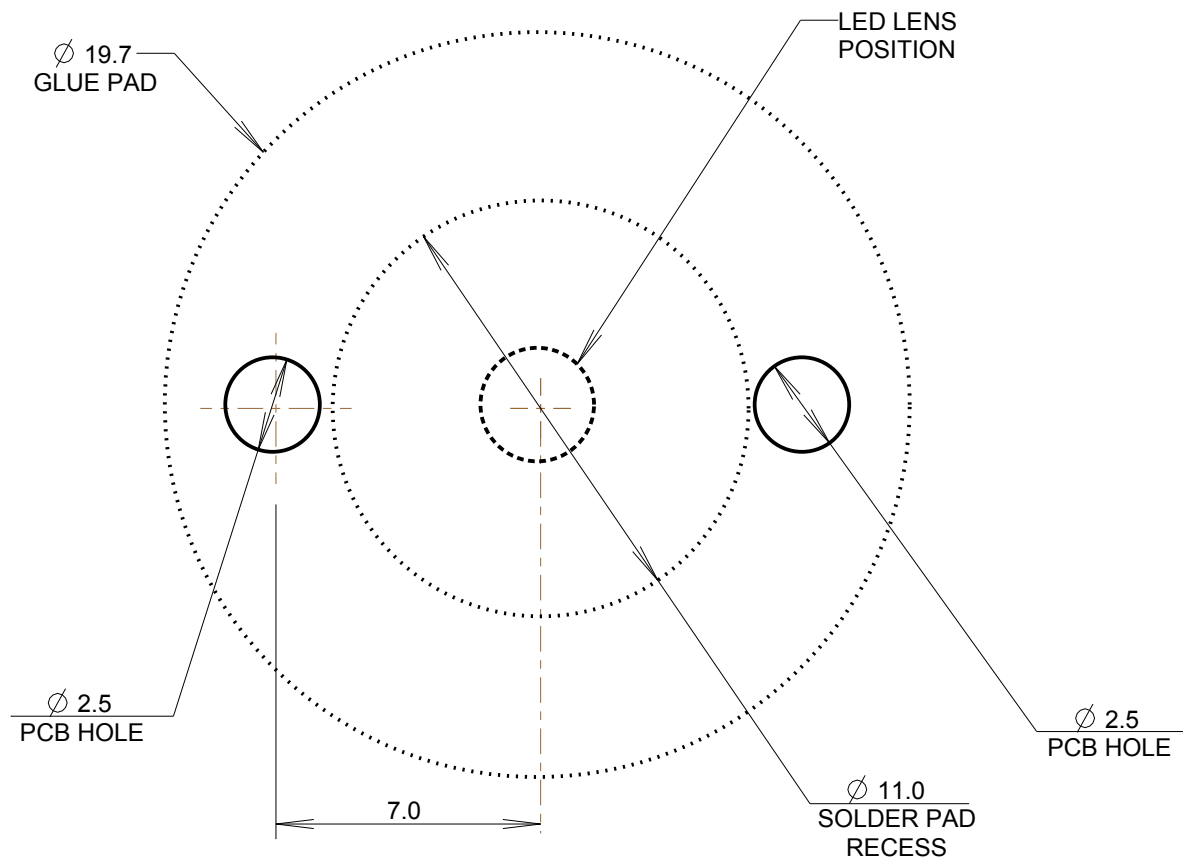
1 OF 2



DIAMOND DOWEL  
SEE DETAIL C

ISS.	DATE	E.C.N.	DESCRIPTION
1	10-Apr-08		FIRST ISSUE

## PCB GLUE PAD AND ALIGNMENT HOLE LAYOUT DIMENSIONS



NOTE: THE CLOSEST THAT TWO OR MORE LENSES CAN BE PLACED TOGETHER WITHOUT OBSCURATION IS 27MM BETWEEN CENTRES.

CARCLO TECHNICAL PLASTICS (SLOUGH)  
111 BUCKINGHAM AVE, SLOUGH  
SL1 4PF, ENGLAND  
TEL: +44 1753 575011 FAX: +44 1753 811359  
e-mail: design@carclo-optics.com}

### GENERAL TOLERANCES (UNLESS STATED)

LINEAR	ANGULAR
X +/- 0.25	X +/- 1°
X.X +/- 0.1	X.X +/- 0.5°
X.XX +/- 0.05	X.XX +/- 0.1°

CUSTOMER

CARCLO

TITLE

120 DEGREE LED  
BUBBLE OPTIC

DRAWN

AJD

DATE

10-Apr-08

CHK'D

MB

DATE

10-Apr-08

APP'D

AJD

DATE

10-Apr-08

SCALE

5:1

CARCLO PART No.

10403

SIZE

A4

CARCLO DRG. No.

60521

SHEET

2 OF 2