

## GENERAL SPECIFICATIONS

### Electrical Capacity & Other Ratings

<b>Resistive Load:</b>	20A @ 110V AC
<b>Contact Resistance:</b>	10 milliohms maximum
<b>Insulation Resistance:</b>	1,000 megohms minimum @ 500V DC
<b>Dielectric Strength:</b>	2,000V AC minimum for 1 minute minimum
<b>Mechanical Life:</b>	30,000 operations minimum
<b>Electrical Life:</b>	10,000 operations minimum
<b>Operating Temperature Range:</b>	-10°C through +50°C (+14°F through +122°F)
<b>Nominal Operating Force:</b>	1,250 grams
<b>Angle of Throw:</b>	22°

### Materials & Finishes

<b>Rocker:</b>	Polycarbonate resin
<b>Mounting Frame:</b>	Steel with chrome plating
<b>Movable Contacts:</b>	Silver alloy
<b>Stationary Contacts:</b>	Copper with silver plating
<b>Base:</b>	Melamine
<b>Common &amp; End Terminals:</b>	Brass with tin plating

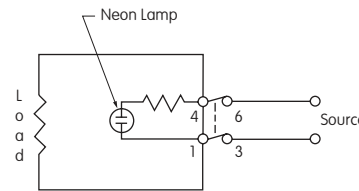
## SINGLE POLE HIGH CAPACITY

Model	Pole	Rocker Position			Connected Terminals			Throw & Power/Lamp Schematics
		Up	Center	Down	Up	Center	Down	
								Notes: Terminal numbers are on switch. Lamp circuit is synchronous to switching circuit.
<b>LW3021A</b>	DP	ON	NONE	OFF	1-3 4-6	OPEN	OPEN	DPST

### Neon Lamp Specifications

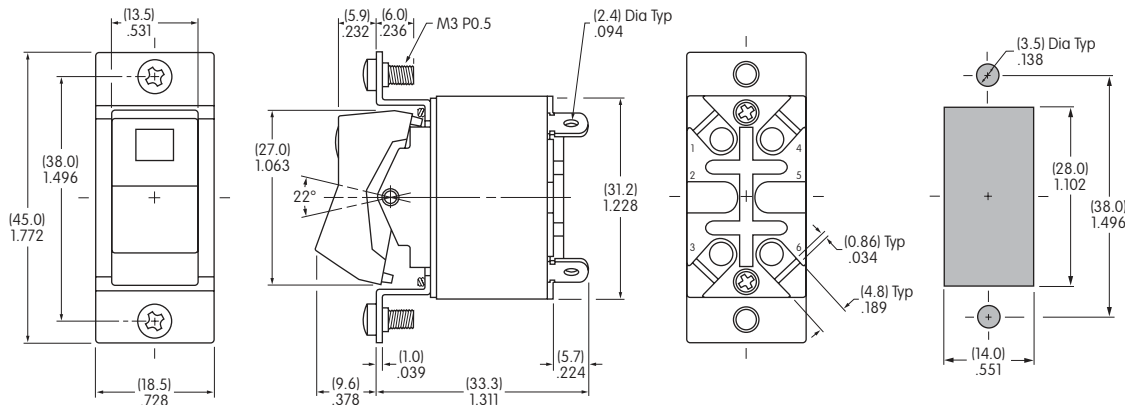
.234" x .198" (5.94mm x 5.03mm) window is translucent red.  
Neon lamp with built-in ballast resistor is integral part of switch.

Voltage	V	90 - 120V AC
Internal Series Resistance		100K ohms
Current	I	0.8mA
Endurance		10,000 hours minimum



Since this is a double break device, one side of the electrical source should be connected to terminal 3 and the other side to terminal 6. The electrical load should be connected between terminals 1 and 4.

2 screws supplied for flush panel mounting.



Actuator in UP position

Maximum Panel Thickness:  
.197" (5.0mm)

**LW3021A**