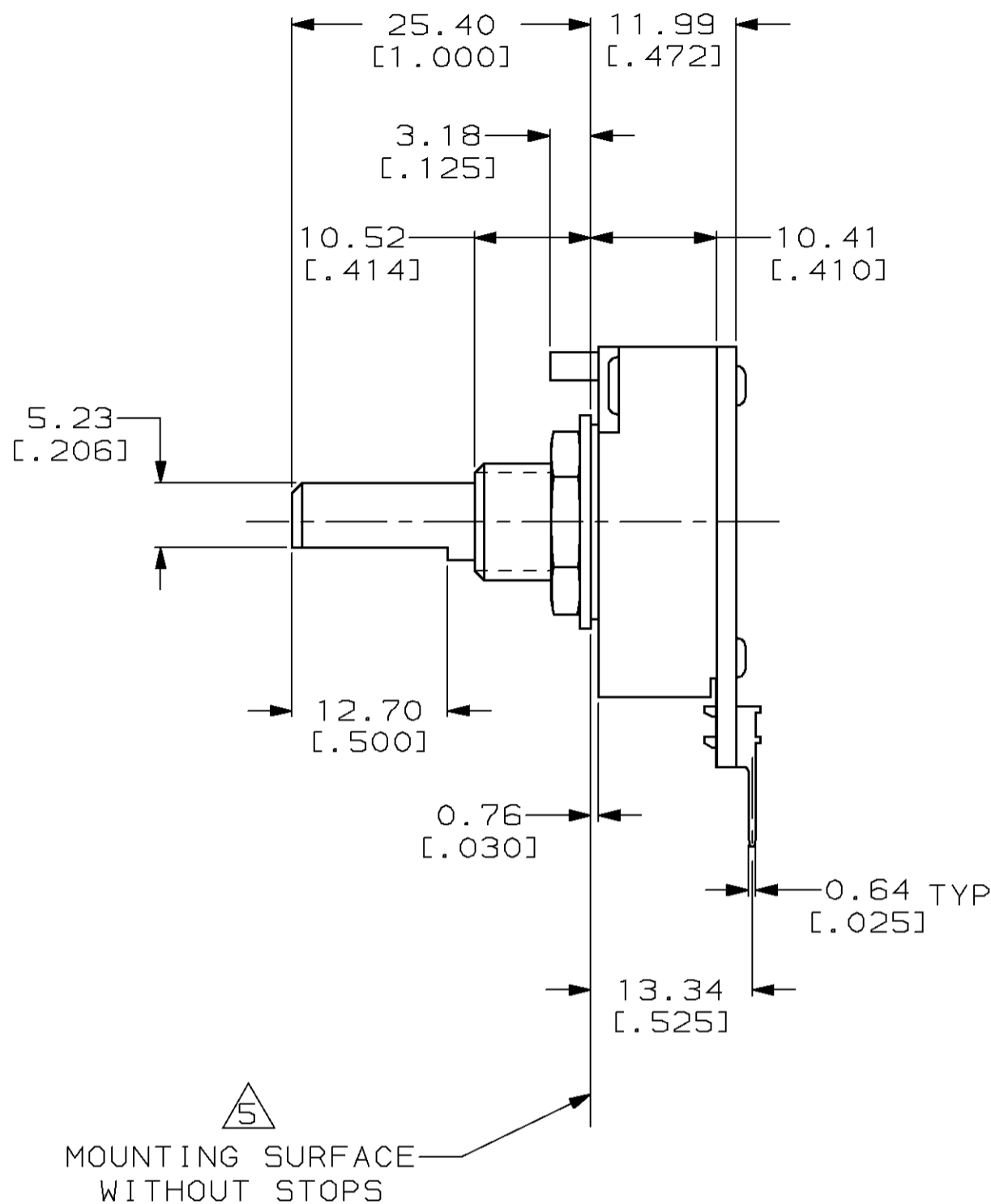
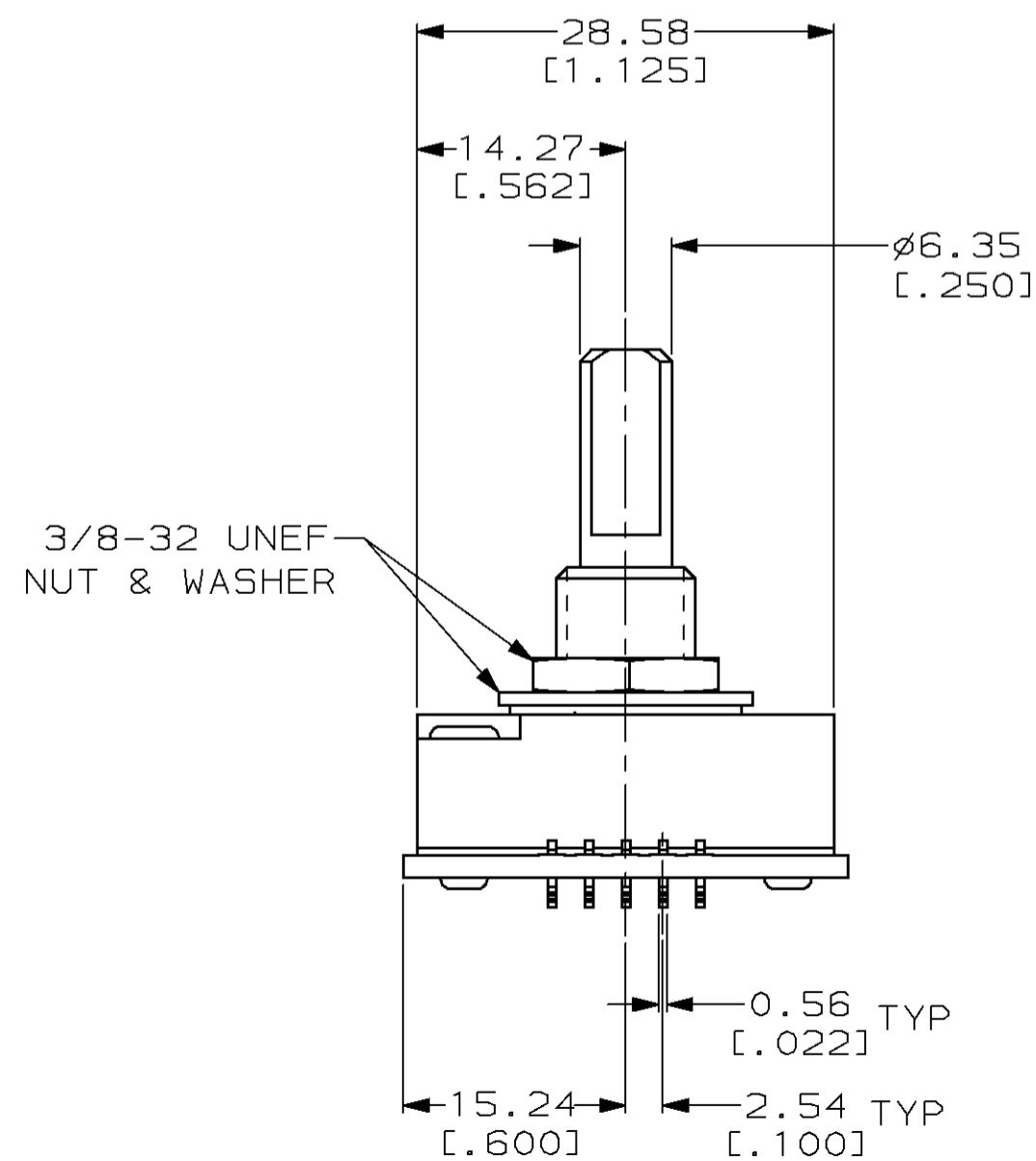
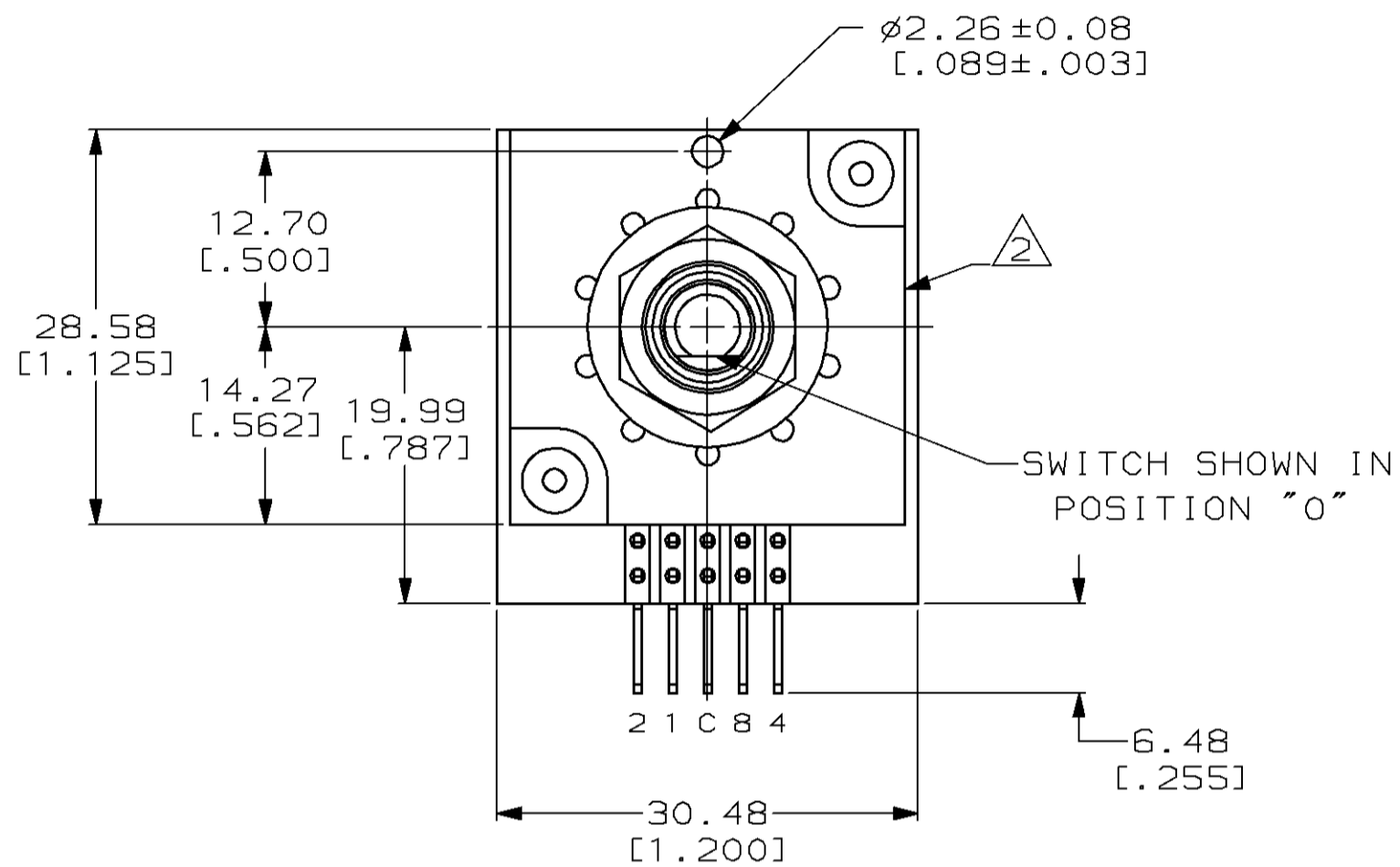


THIS DRAWING IS UNPUBLISHED. RELEASED FOR PUBLICATION
 © COPYRIGHT 19 BY AMP INCORPORATED. ALL RIGHTS RESERVED.

LOC		DIST		REVISIONS			
P	LTR	DESCRIPTION	DATE	DWN	APVD		
FT	69	H	REDWN ON CAD PER EC 0320-285-97	11-22-95	AH	MH	



COMMON TO	POSITION									
	0	1	2	3	4	5	6	7	8	9
1		•		•		•		•		•
2			•	•			•	•		
4					•	•	•	•		
8									•	•

BCD

- SWITCH HOUSING IS MADE OF BLACK POLYESTER.
- AMP, AMP PART NO., AND DATE CODE TO BE STAMPED WHITE ON THIS SURFACE.
- FOR ADDITIONAL SWITCH SPECIFICATIONS SEE AMP PRODUCT SPEC 108-7518.
- SWITCH POSITIONS INCREASE WHEN ROTATED IN A CLOCKWISE DIRECTION.
- TWO 0.51 [.020] THICK STOPS 435889-1 (NOT SHOWN) ARE INSTALLED BETWEEN WASHER AND HOUSING IN A NON-FUNCTIONAL POSITION. WHEN LIMITED ROTATION OF SWITCH IS DESIRED THE TOP SURFACE OF THE TOP STOP BECOMES THE MOUNTING SURFACE, THIS ALTERS DIMENSIONS FROM MOUNTING SURFACE.

MOUNTING SURFACE WITHOUT STOPS

435984-1
PART NO

<small>THIS DRAWING IS A CONTROLLED DOCUMENT FOR AMP INCORPORATED. IT IS SUBJECT TO CHANGE AND THE CONTROLLING ENGINEERING ORGANIZATION SHOULD BE CONTACTED FOR THE LATEST REVISION.</small>		DWN A. HOLT 11-22-95	AMP AMP Incorporated Harrisburg, PA 17105-3608	
DIMENSIONS: mm [INCHES]		CHK R. TALLEY 11-22-95	NAME M. HUDDLESTON 11-22-95	
TOLERANCES UNLESS OTHERWISE SPECIFIED: 0 PLC ±- 1 PLC ±- 2 PLC ±0.25 [.010] 3 PLC ±- 4 PLC ±- ANGLES ±- FINISH -		APVD M. HUDDLESTON 11-22-95	PRODUCT SPEC 3 APPLICATION SPEC -	
MATERIAL -		WEIGHT -	SIZE A2	CAGE CODE 00779
CUSTOMER DRAWING			DRAWING NO C=435984-1	SCALE 2:1
			SHEET 1 OF 1	REV H