

DO NOT
SCALE FROM
THIS PRINT

TABLE 1					
ITEM	COMPONENT	-HF	-HN	-GF	-GN
1	SUB ASSEMBLY	SUB-HDBNC-J-P-HF-ST-BH1	SUB-HDBNC-J-P-HN-ST-BH1	SUB-HDBNC-J-P-GF-ST-BH1	SUB-HDBNC-J-P-GN-ST-BH1
2	NUT	HDBNC-NUT-001-N			

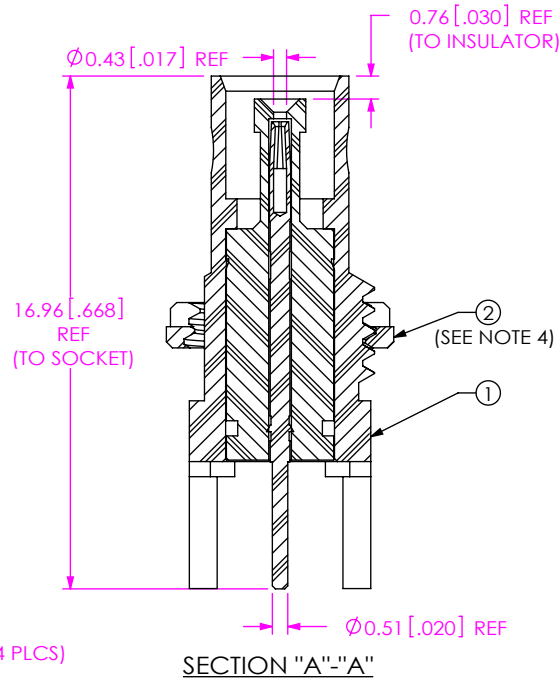
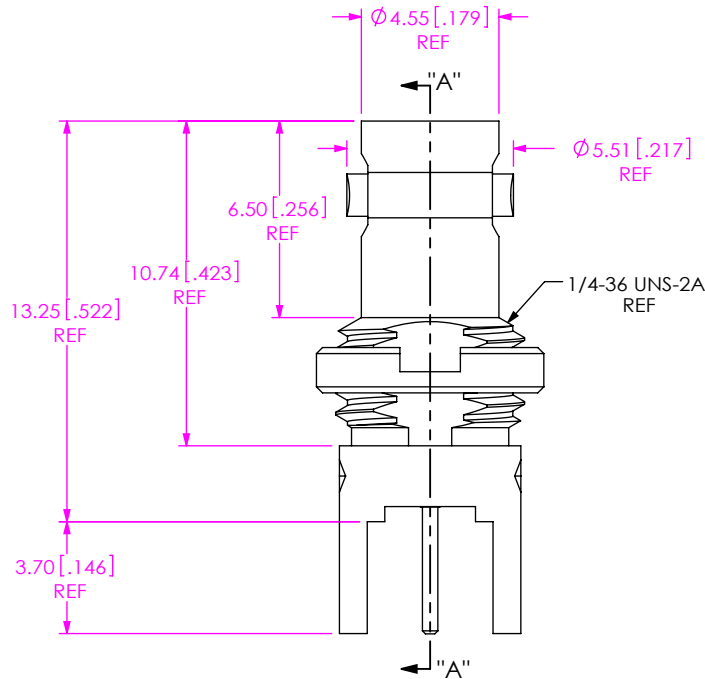
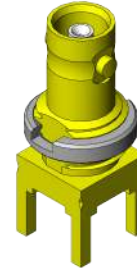
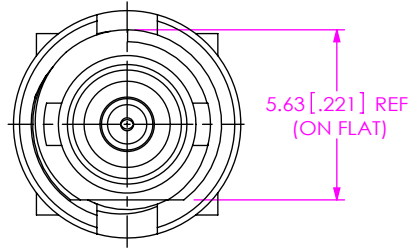
GENDER
-J: JACK

TYPE
-P: PCB

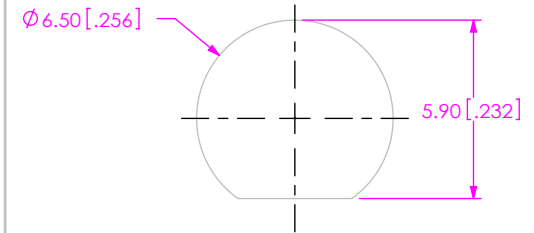
TERMINATION
-BH: BULKHEAD THROUGH HOLE

ORIENTATION
-ST: STRAIGHT

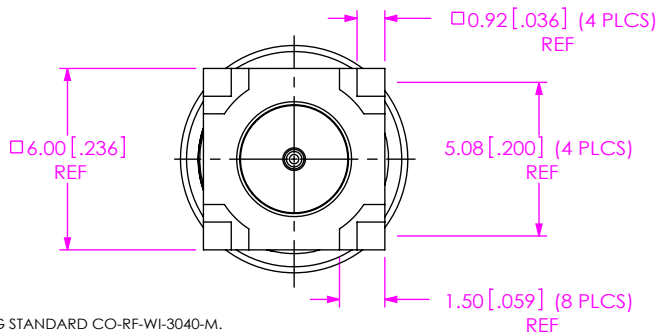
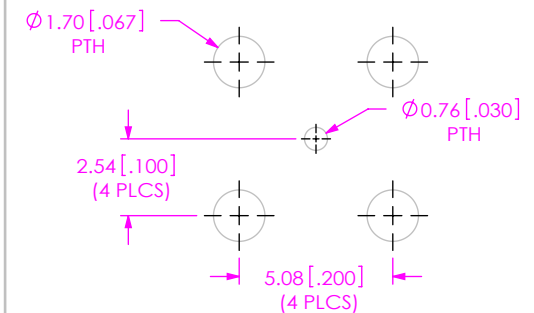
PLATING SPECIFICATION
 -HF: 30µ" GOLD CENTER CONTACT,
 3µ" GOLD OUTER CONTACT
 -HN: 30µ" GOLD CENTER CONTACT,
 100µ" NICKEL OUTER CONTACT
 -GF: 10µ" GOLD CENTER CONTACT,
 3µ" GOLD OUTER CONTACT
 -GN: 10µ" GOLD CENTER CONTACT,
 100µ" NICKEL OUTER CONTACT
 (SEE TABLE 1)



RECOMMENDED MOUNTING HOLE
 2.20 [.079] MAX PANEL THICKNESS



RECOMMENDED PCB LAYOUT



NOTES:

- ⊕ REPRESENTS A CRITICAL DIMENSION.
- NOTE DELETED.
- PRODUCT TO BE PACKAGED PER PACKING STANDARD CO-RF-WI-3040-M.
 TRAY: TY-SMA001-1
 COVER: TY-SMA001-2
- NUT TO BE PACKAGED SEPARATELY.

UNLESS OTHERWISE SPECIFIED,
 DIMENSIONS ARE IN MILLIMETERS.
 TOLERANCES ARE:
 DECIMALS ANGLES
 X.X: ±0.3 [.01] 5°
 X.XX: ±0.13 [.005]
 X.XXX: ±0.051 [.0020]

PROPRIETARY NOTE

THIS DOCUMENT CONTAINS INFORMATION
 CONFIDENTIAL AND PROPRIETARY TO
 SAMTEC, INC. AND SHALL NOT BE REPRODUCED
 OR TRANSFERRED TO OTHER DOCUMENTS OR
 DISCLOSED TO OTHERS OR USED FOR ANY
 PURPOSE OTHER THAN THAT WHICH IT WAS
 OBTAINED WITHOUT THE EXPRESSED WRITTEN
 CONSENT OF SAMTEC, INC.

MATERIAL: DO NOT SCALE DRAWING SHEET SCALE: 4:1

SOCKET: BeCu
 SHELL, NUT: BRASS
 INSULATOR: PTFE



520 PARK EAST BLVD., NEW ALBANY, IN 47150
 PHONE: 812-944-6733 FAX: 812-948-5047
 e-Mail: info@SAMTEC.com code 55322

DESCRIPTION:
 HD BNC 75 OHM, ST JACK BULKHEAD

DWG. NO.
HDBNC-J-P-XX-ST-BH1

BY: ALVIN W 02/11/2011 SHEET 1 OF 1