

LOC	DIST	REVISIONS					
A	66	P	LTR	DESCRIPTION	DATE	DWN	APVD
			D1	SEE PRODUCT DRAWING	-	-	-


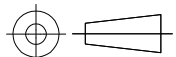
SEE PRODUCTION DRAWING
1426249

THIS DRAWING IS UNPUBLISHED.

ALL INTERNATIONAL RIGHTS RESERVED.

BY TYCO ELECTRONICS CORPORATION.

© COPYRIGHT

DIMENSIONS: INCHES	DWN	05JAN2011	MATERIAL	-	FINISH	-
	CHK	M. YOUNGER	 Tyco Electronics Corporation Harrisburg, PA 17105-3608			
TOLERANCES UNLESS OTHERWISE SPECIFIED:	APVD	-	NAME			
	PRODUCT SPEC	-	SIDE FEED HD-I APPLICATOR			
0 PLC ± - 1 PLC ± - 2 PLC ± 0.5 [.02 IN] 3 PLC ± - 4 PLC ± - ANGLES ± -	APPLICATION SPEC	-	SIZE	CAGE CODE	DRAWING NO	RESTRICTED TO
	WEIGHT	-	A4	00779	C-1426249	-
			CUSTOMER DRAWING		SCALE	-
					SHEET	1 OF 1
					REV	D1