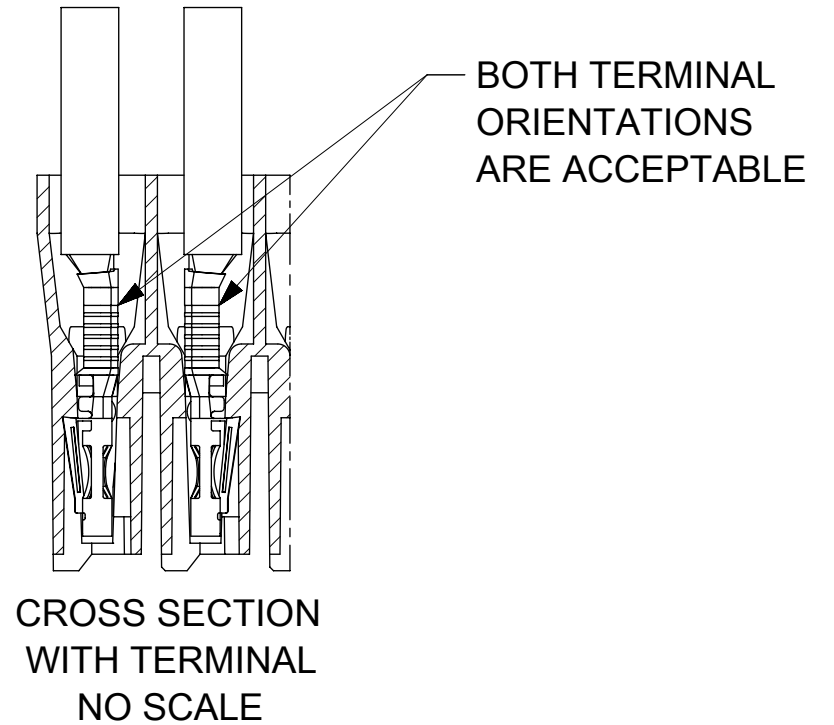
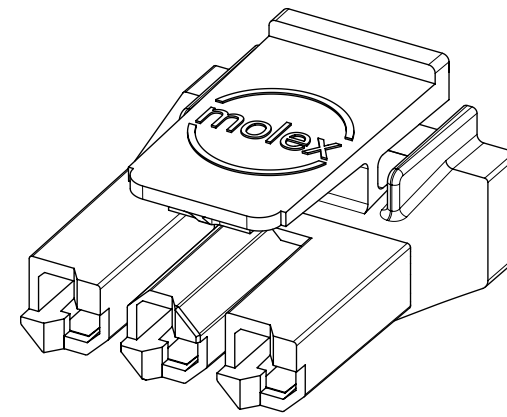
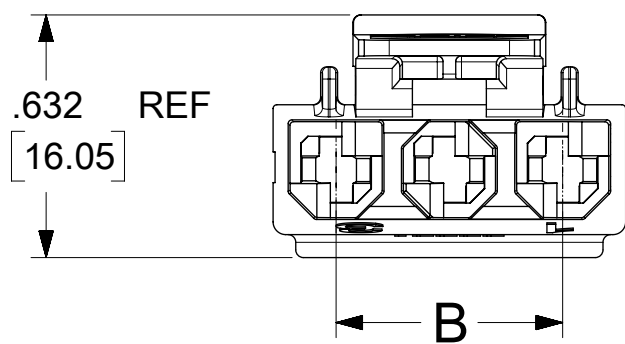


CIRCUITS	DIM A	DIM B
2	.623±.010 (15.82±0.25)	.295±.006 (7.49±0.15)
3	.918±.010 (23.32±0.25)	.590±.008 (14.99±0.20)
4	1.213±.010 (30.82±0.25)	.885±.008 (22.48±0.20)
5	1.508±.010 (38.30±0.25)	1.180±.008 (29.97±0.20)
6	1.803±.010/-0.015 (45.80 +0.25/-0.38)	1.475±.010 (37.47±0.25)
8	2.393±.010 (60.78±0.25)	2.065±.008 (52.45±0.20)



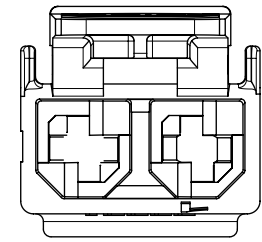
NOTES:

1. MATERIAL: SEE CHART.
2. THIS CONNECTOR HOUSING FOR USE WITH 43375-**** TERMINALS.
3. THIS CONNECTOR HOUSING WILL MATE TO A-43160-****, 43180-****, AND 43680-**** HOUSINGS.
4. PRODUCT SPECIFICATION: PSX-44441-9999.
5. PACKAGING: PK-44441-001.
6. FOR V-0 AND GLOW-WIRE MATERIAL: PARTS CONFORM TO CLASS 'B' REQUIREMENTS OF COSMETIC SPECIFICATION PS-45499-002 BUT, MEETS CLASS 'C' REQUIREMENTS FOR BUBBLES, SINK AND DISCOLORATION.
7. TEXT ON PART IS FOR REFERENCE ONLY. TEXT AND TEXT LOCATION MAY VARY DEPENDING ON PART NUMBER AND/OR TOOL.
8. LAST CIRCUIT I.D. NOT PRESENT ON 2 CIRCUIT PARTS.
9. DIMENSION C IS .600/(15.24) FOR 2 AND 8 CIRCUIT PARTS
DIMENSION C IS .632/(16.05) FOR ALL OTHER CIRCUIT SIZES.
10. THIS DRAWING REPLACES DRAWINGS SD-44441-*

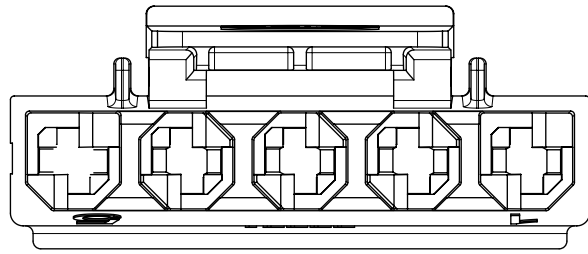
SYMBOLS		THIS DRAWING CONTAINS INFORMATION THAT IS PROPRIETARY TO MOLEX ELECTRONIC TECHNOLOGIES, LLC AND SHOULD NOT BE USED WITHOUT WRITTEN PERMISSION	
▽ = 0	IN/MM	SCALE	2:1
▽ = 0	GENERAL TOLERANCES (UNLESS SPECIFIED)		
▽ = 0		MM	INCH
▽ = 0	4 PLACES	±	±
▽ = 0	3 PLACES	±	± 0.01
▽ = 0	2 PLACES	± 0.25	± 0.014
▽ = 0	1 PLACE	± 0.35	±
▽ = 0	0 PLACES	±	±
▽ = 0	ANGULAR TOL		± 0.5°
▽ = 0	DRAFT WHERE APPLICABLE MUST REMAIN WITHIN DIMENSIONS		
▽ = 0	THIRD ANGLE PROJECTION		
CURRENT REV DESC: UPDATE TOLERANCES		EC NO: 604166	
		DRWN: JBAUMERT	2018/09/07
		CHK'D: MKIPPER	2018/09/12
		APPR: FSMITH	2018/09/13
		INITIAL REVISION:	
		DRWN: CSLAFTER	2016/12/28
		APPR: JDFOX	2016/12/30
DOCUMENT NUMBER		444410000-SD	DOC TYPE DOC PART REVISION
		PSD	000 A1
MATERIAL NUMBER		SEE CHART	CUSTOMER
		GENERAL MARKET	SHEET NUMBER
			1 OF 2

CIRCUITS	ITEM NUMBER	MATERIAL	COLOR
2	44441-1002	PA66 NYLON, UL94V-2	NATURAL (TRANSLUCENT)
3	44441-1003		
4	44441-1004		
5	44441-1005		
6	44441-1006	PA66 NYLON, UL94V-2	BLACK
2	44441-2002	PA66 NYLON, UL94V-0	BLACK
3	44441-2003		
4	44441-2004		
5	44441-2005		
6	44441-2006		
8	44441-2008		
2	44441-3002	PA66 NYLON, UL94V-2 IEC 60335-1 GLOW WIRE CAPABLE	BLACK
3	44441-3003		
4	44441-3004		
5	44441-3005		
6	44441-3006		
8	44441-3008		

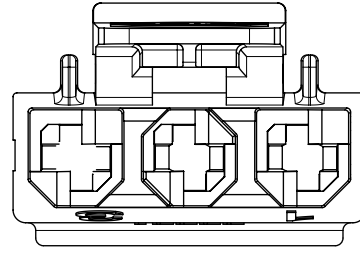
POLARIZATION LAYOUT



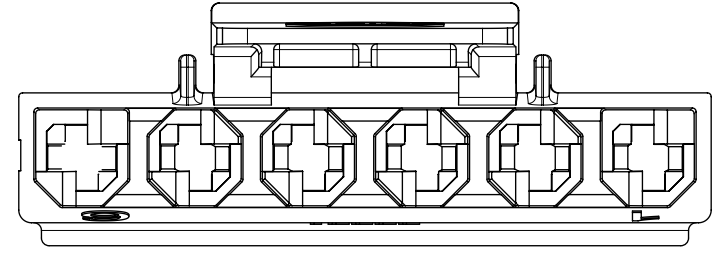
2-CKT.



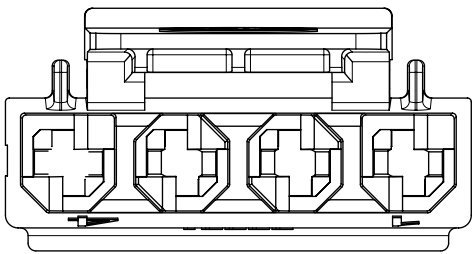
5-CKT.



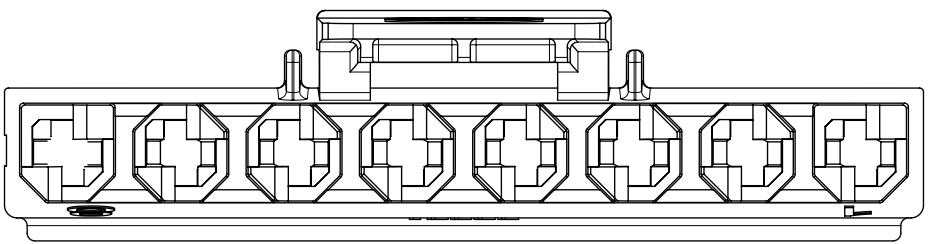
3-CKT.



6-CKT.



4-CKT.



8-CKT.

SYMBOLS = 0 = 0 = 0 = 0 = 0 = 0 = 0 = 0 = 0	THIS DRAWING CONTAINS INFORMATION THAT IS PROPRIETARY TO MOLEX ELECTRONIC TECHNOLOGIES, LLC AND SHOULD NOT BE USED WITHOUT WRITTEN PERMISSION		CURRENT REV DESC: UPDATE TOLERANCES		 44441 SABRE RECEPTACLE TPA HOUSING PRODUCT CUSTOMER DRAWING		
	DIMENSION UNITS	SCALE	EC NO: 604166 DRWN: JBAUMERT 2018/09/07 CHK'D: MKIPPER 2018/09/12 APPR: FSMITH 2018/09/13				
	IN/MM	2:1					
	GENERAL TOLERANCES (UNLESS SPECIFIED)		INITIAL REVISION:				
4 PLACES ±	MM INCH	DRWN: CSLAFTER 2016/12/28	2016/12/30	DOCUMENT NUMBER	DOC TYPE	DOC PART	REVISION
3 PLACES ±	± 0.01	APPR: JDFOX	2016/12/30	444410000-SD	PSD	000	A1
2 PLACES ±	± 0.25 ± 0.014	DRAFT WHERE APPLICABLE MUST REMAIN WITHIN DIMENSIONS		MATERIAL NUMBER	CUSTOMER		SHEET NUMBER
1 PLACE ±	± 0.35 ±	THIRD ANGLE PROJECTION	DRAWING	SERIES	SEE CHART	GENERAL MARKET	
0 PLACES ±	±		B-SIZE	44441	2 OF 2		