

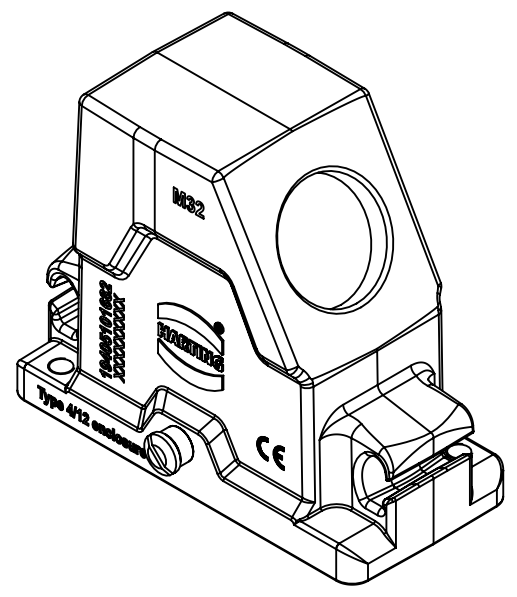
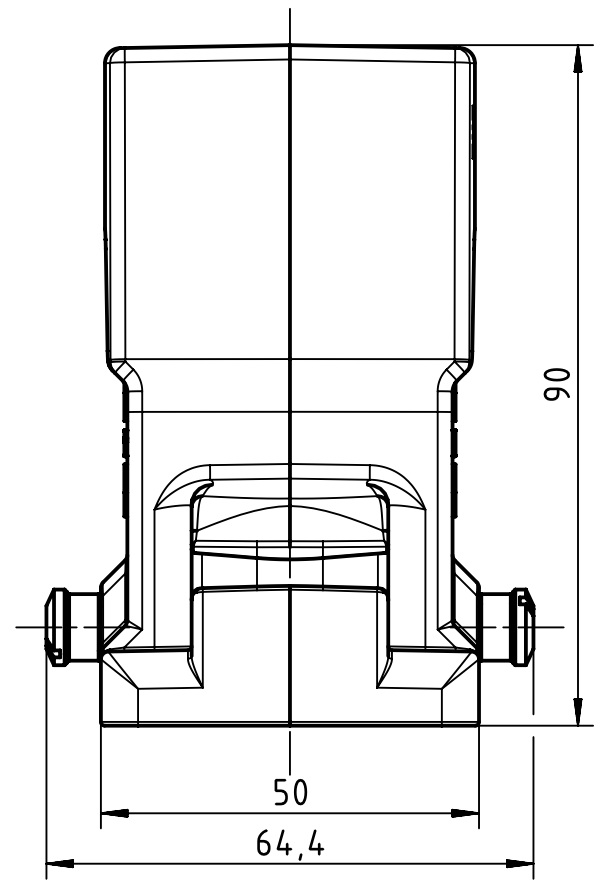
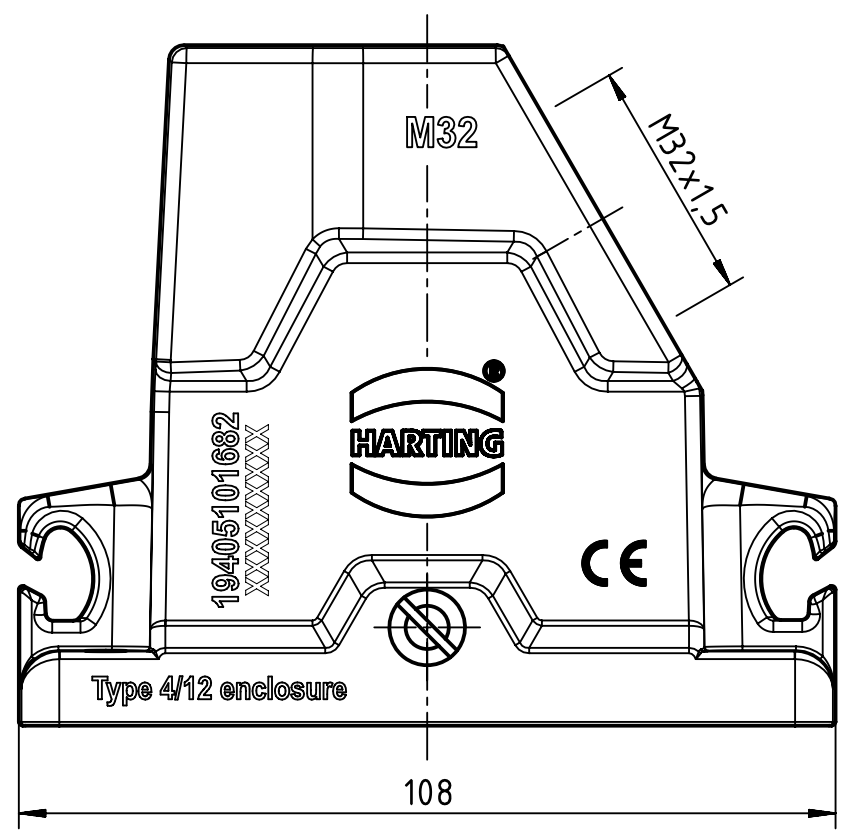
1 2 3 4 5 6

A

B

C

D



	All Dimensions in mm Original Size DIN A4	Scale 1:1		Free size tol.		Ref.		
		Created by LONGL		Inspected by LUOK		Date 2020-08-28		Sub.
	All rights reserved		Standardisation GARSKE		State Final Release		Doc-Key / ECM-Nr. 100873920/UGD/002/B 500000178764	
	Department EL PD		Title Han 10HPR-Compact-HA-LC-for CL-M32		Rev. B		Page 1/1	
HARTING Electric GmbH & Co. KG D-32339 Espelkamp			Type TB		Number 19 40 510 1682			