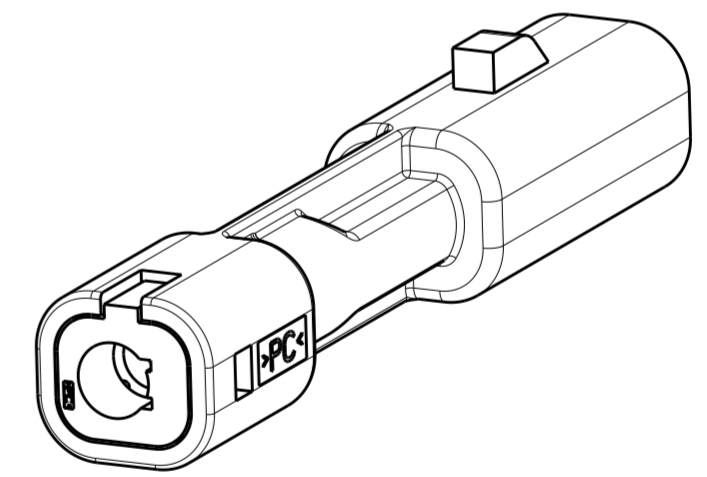
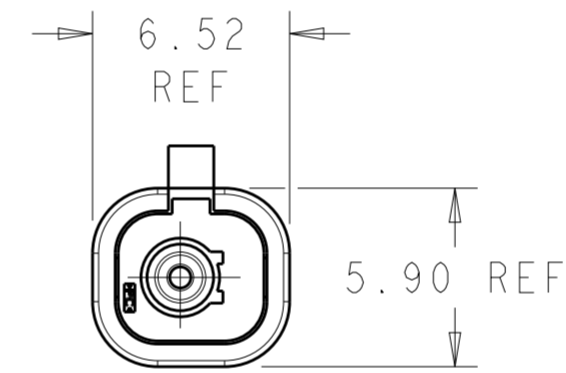
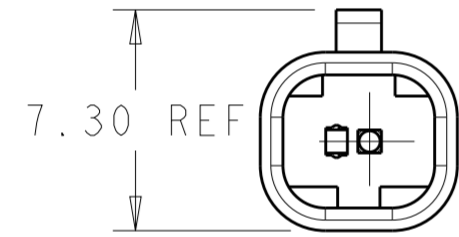
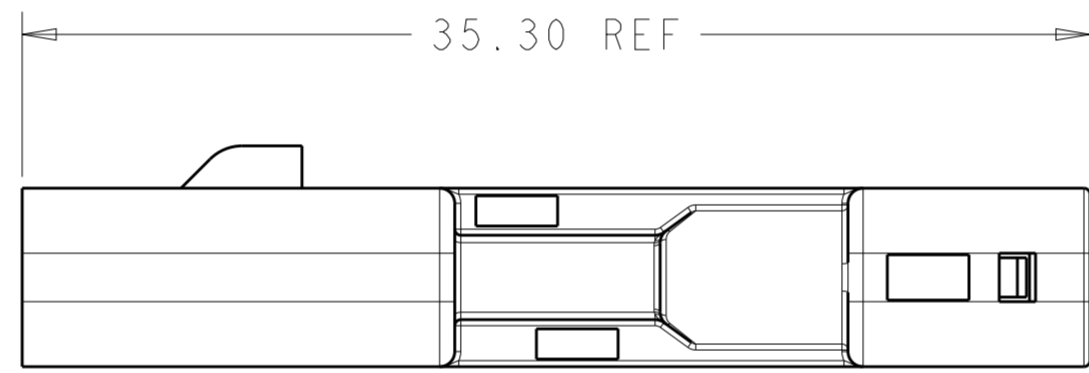
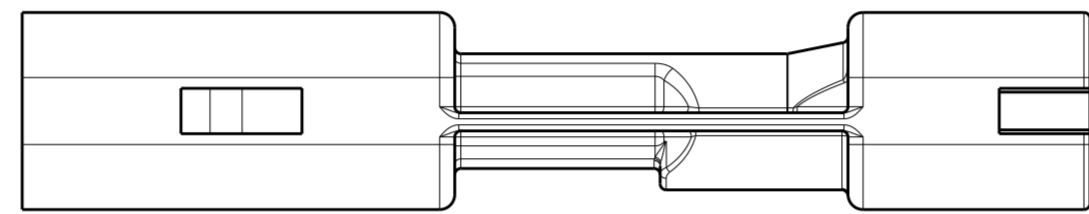


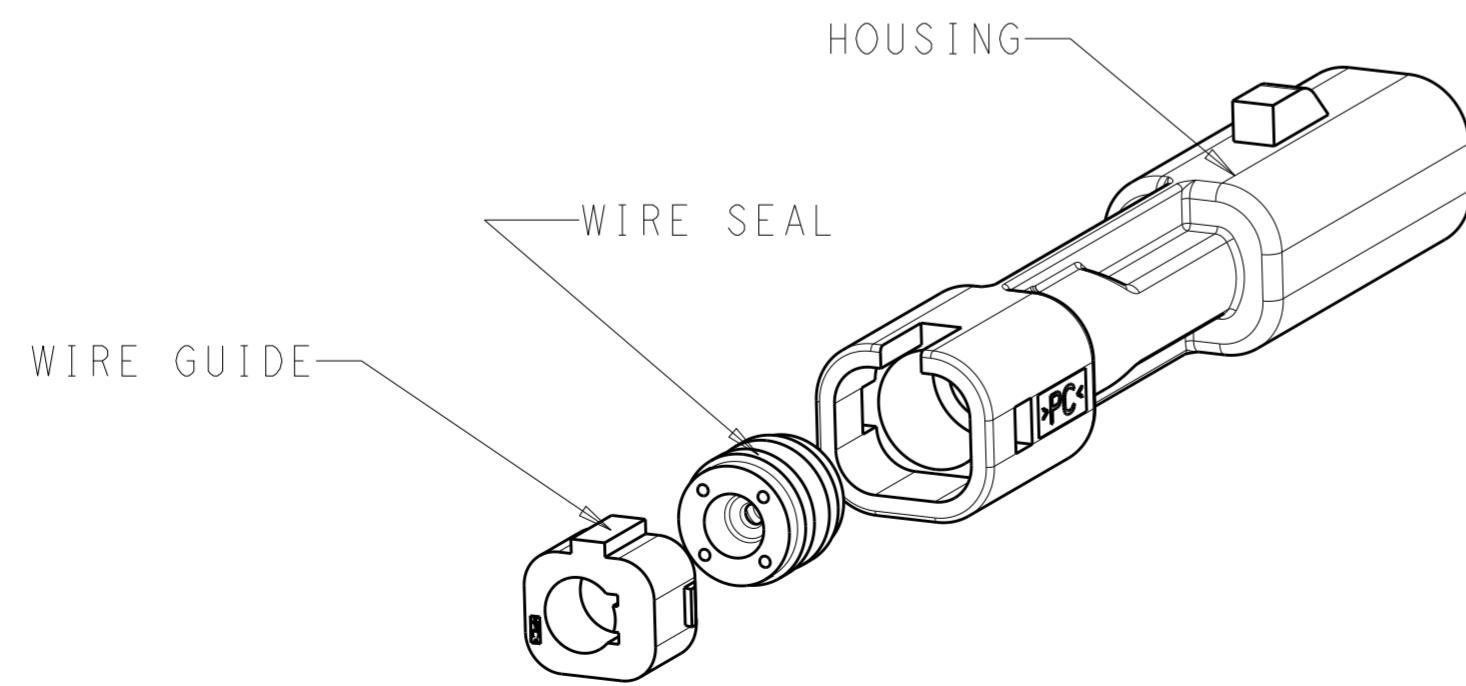
THIS DRAWING IS UNPUBLISHED. RELEASED FOR PUBLICATION 20
 © COPYRIGHT 20 BY - ALL RIGHTS RESERVED.

LOC		DIST		REVISIONS			
P	LTR	DESCRIPTION	DATE	DWN	APVD		
-	-	A	REVISED PER ECR-13-004959	28MAR2013	RS	DD	

- ⚠ MATERIALS:
 HOUSING: POLYCARBONATE, FI PER UL 746C,
 COLOR: BLACK
 WIRE GUIDE: POLYCARBONATE, FI PER UL 746C,
 COLOR: BLACK
 WIRE SEAL: SILICONE RUBBER, COLOR: BLUE
- THIS PART HAS NOT COMPLETED VALIDATION TESTING.
 - MUST COMPLY WITH DIRECTIVE 2002/95/EC (ROHS).
 - DESIGNED TO ONLY MATE WITH P/N 2154854-1.




3D VIEW



2154852-1

PART NUMBER

THIS DRAWING IS A CONTROLLED DOCUMENT.		DWN RAVLS 17MAR2012	 TE Connectivity	
DIMENSIONS: mm		CHK D. DECKER 17MAR2012		
TOLERANCES UNLESS OTHERWISE SPECIFIED:		APVD D. DECKER 17MAR2012	NAME 1 POS RECEPTACLE ASSY	
0 PLC ± 1 PLC ± 2 PLC ±0.13 3 PLC ± 4 PLC ± ANGLES ± FINISH		PRODUCT SPEC -	SIZE A2	CAGE CODE 00779
MATERIAL		APPLICATION SPEC -	DRAWING NO C-2154852	RESTRICTED TO -
-		WEIGHT -	SCALE 4:1 SHEET 1 OF 1 REV A	
-		Customer Drawing		