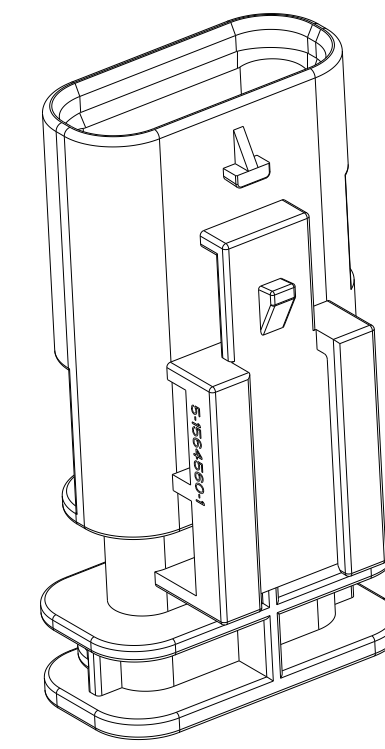
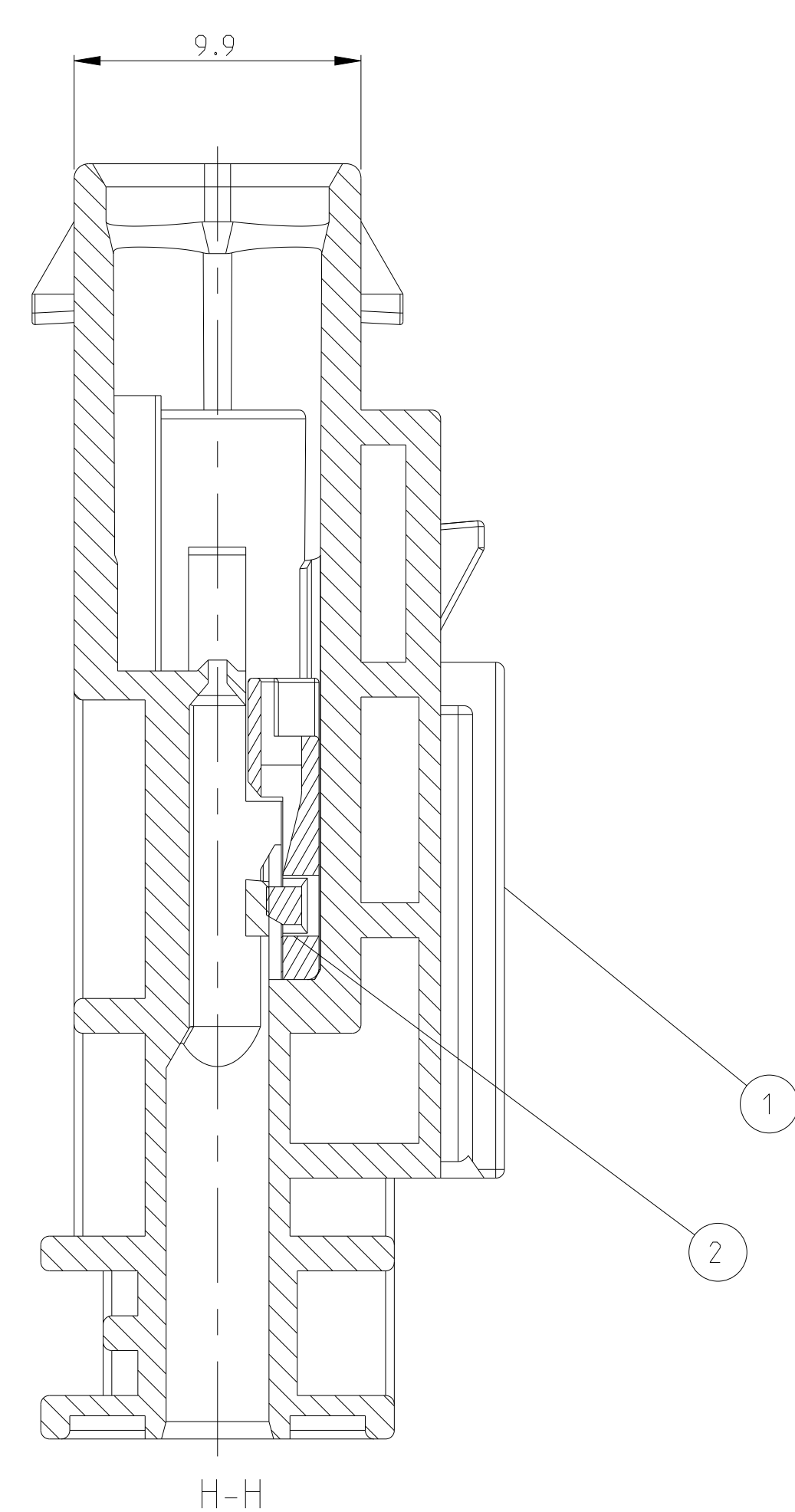
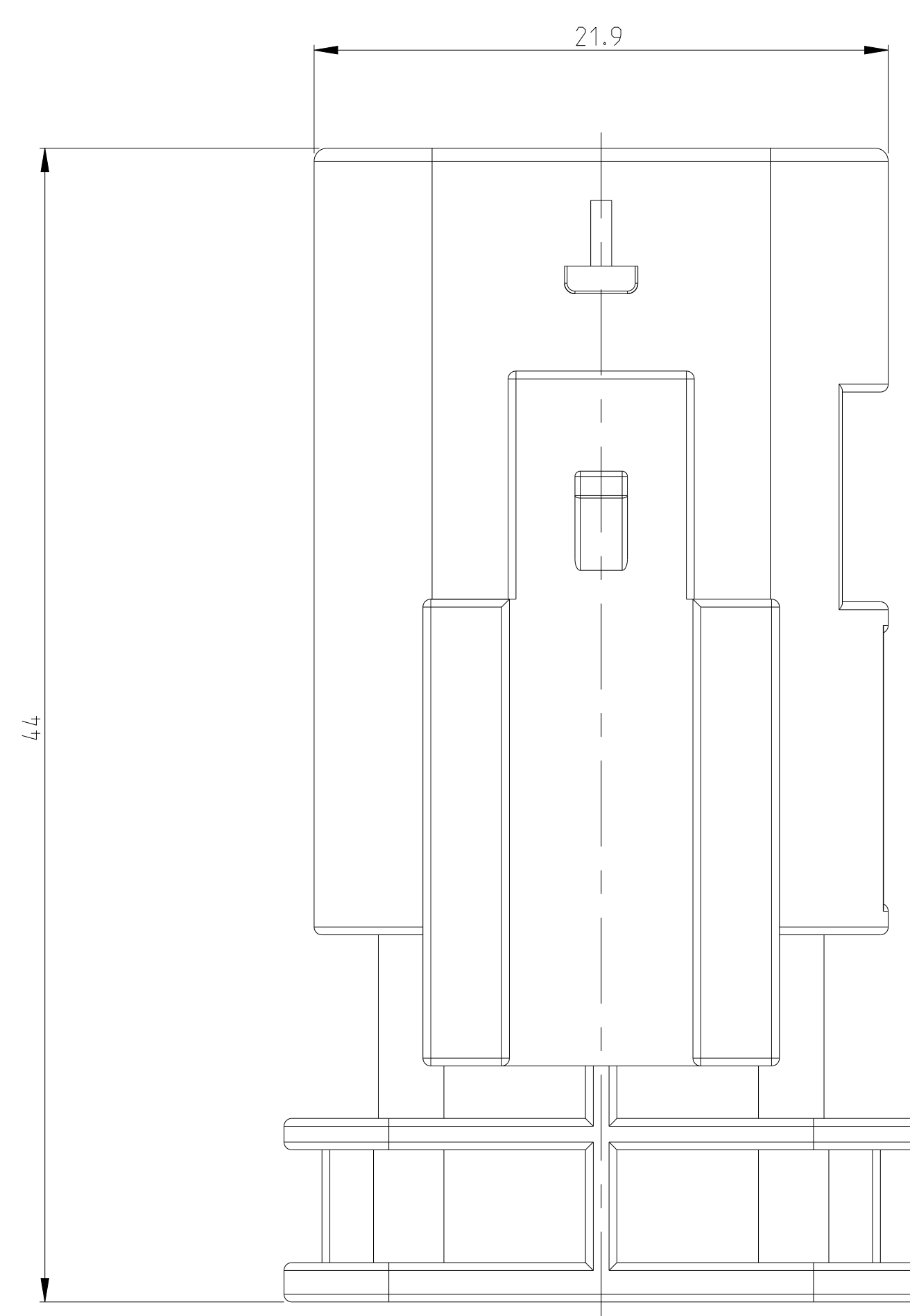
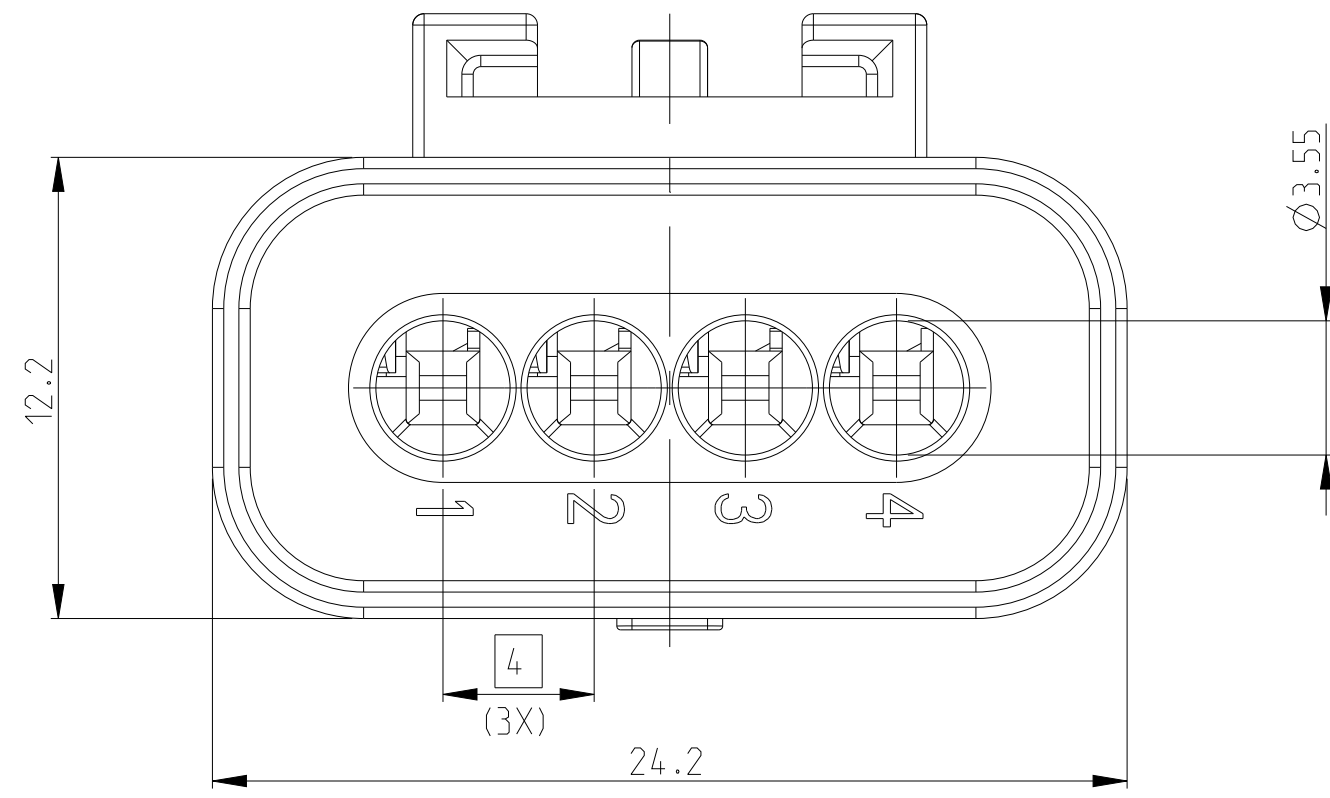


SHOWN 1-1564559-1

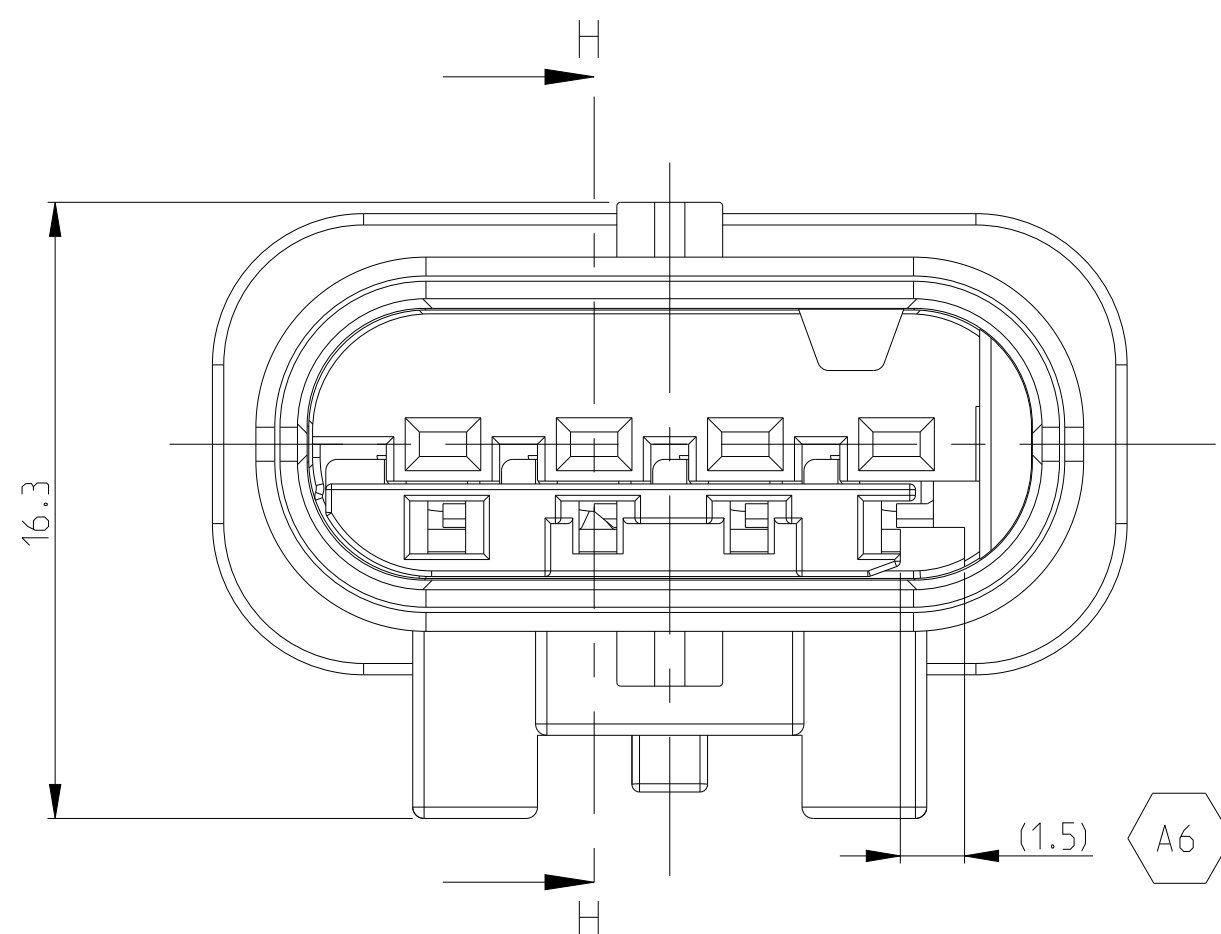


2:1

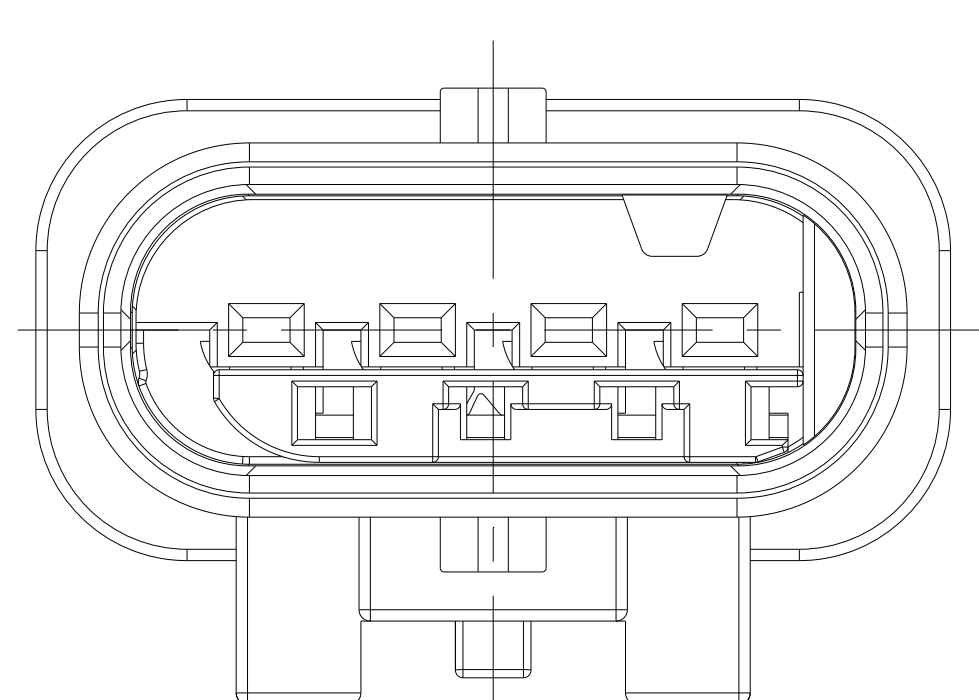


H-H

RETAINER IN PRE LOCKED POSITION
Kontaktsicherung in Vorraststellung

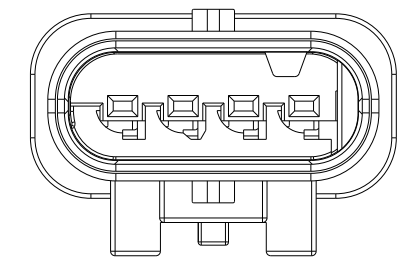


RETAINER IN FINAL LOCKED POSITION
2. Kontaktsicherung in Endraststellung

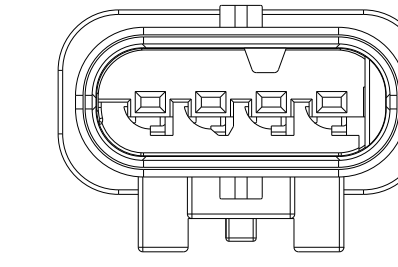


RETAINER MOVING DIRECTION
2. Kontaktsicherung Verschiebeweg

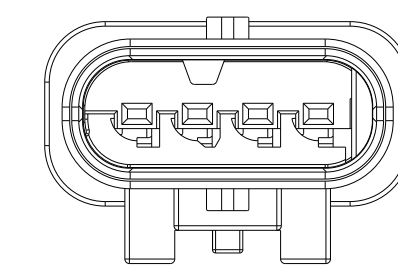
CODINGS 2:1



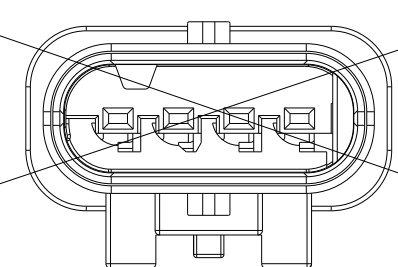
A
1-1564559-1
(BLACK)
1-1564559-4
(YELLOW FOR GM)
5-1564559-1
(BLUE)



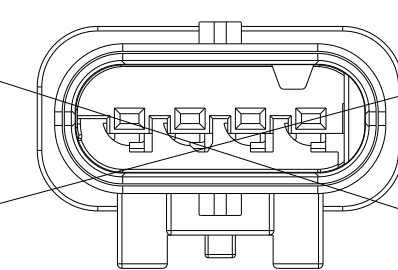
B
2-1564559-1
(GREY)
2-1564559-4
(YELLOW FOR GM)



C
3-1564559-1
3-1564559-4
(YELLOW FOR GM)

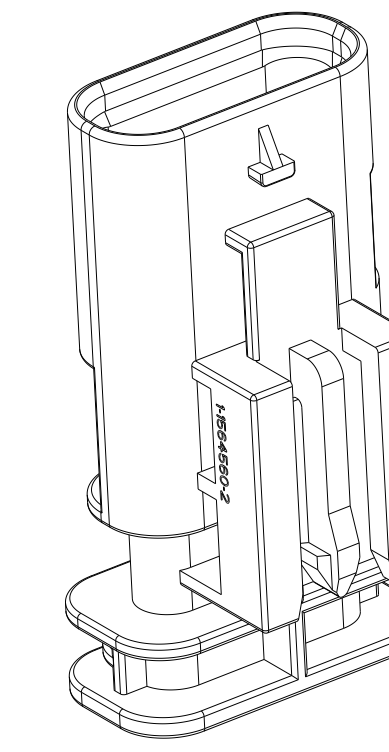


D
4-1564559-1

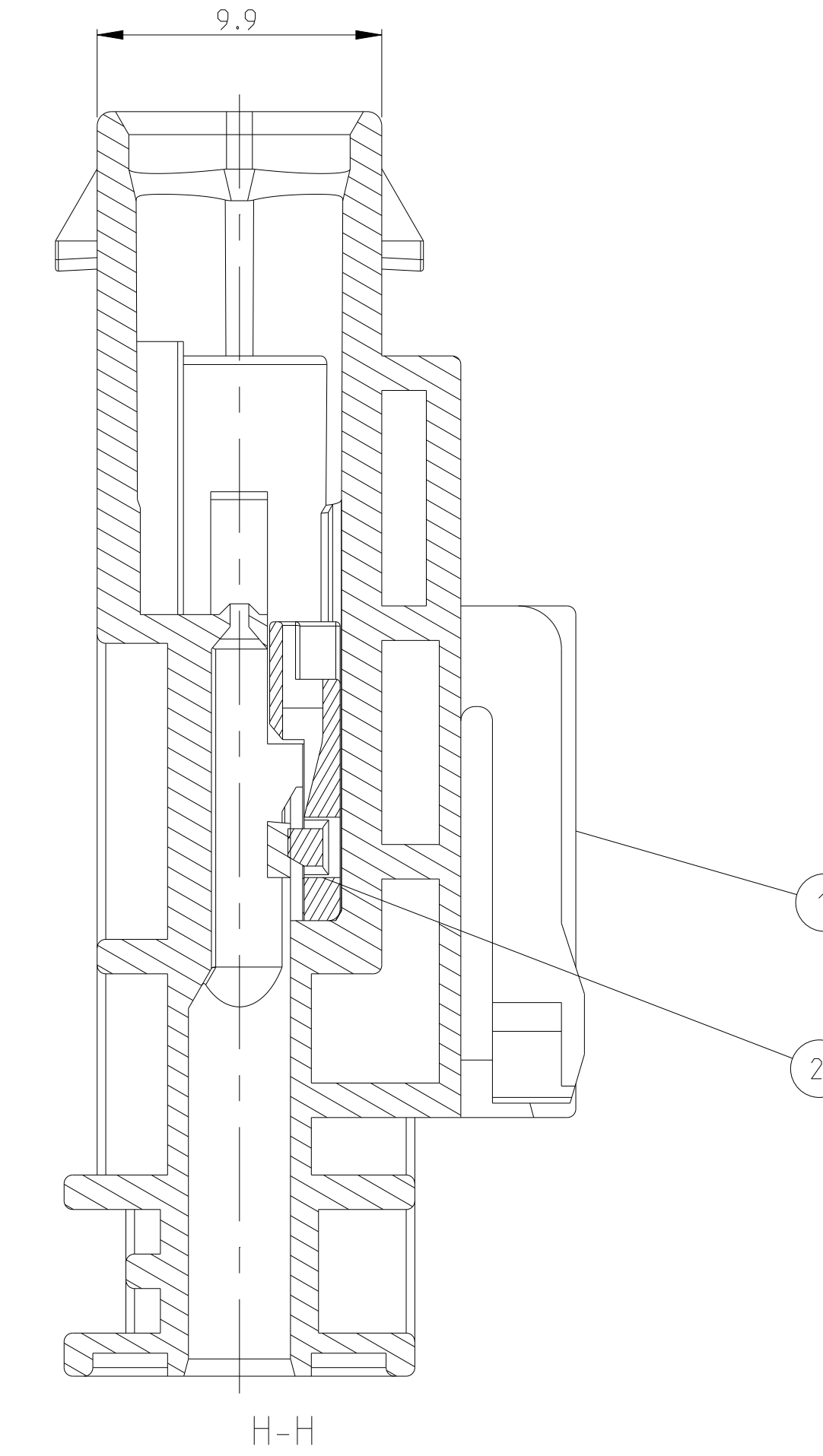
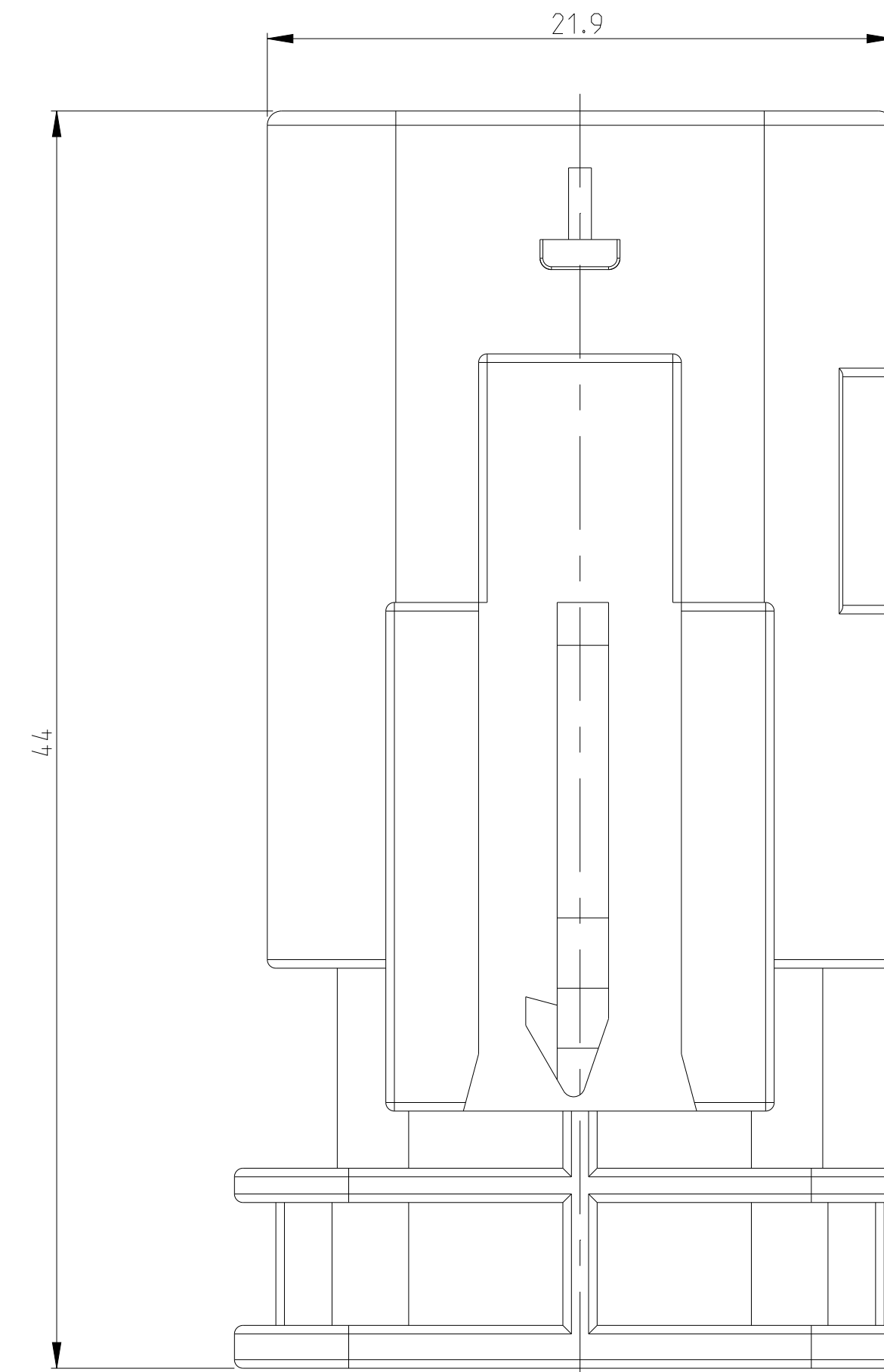
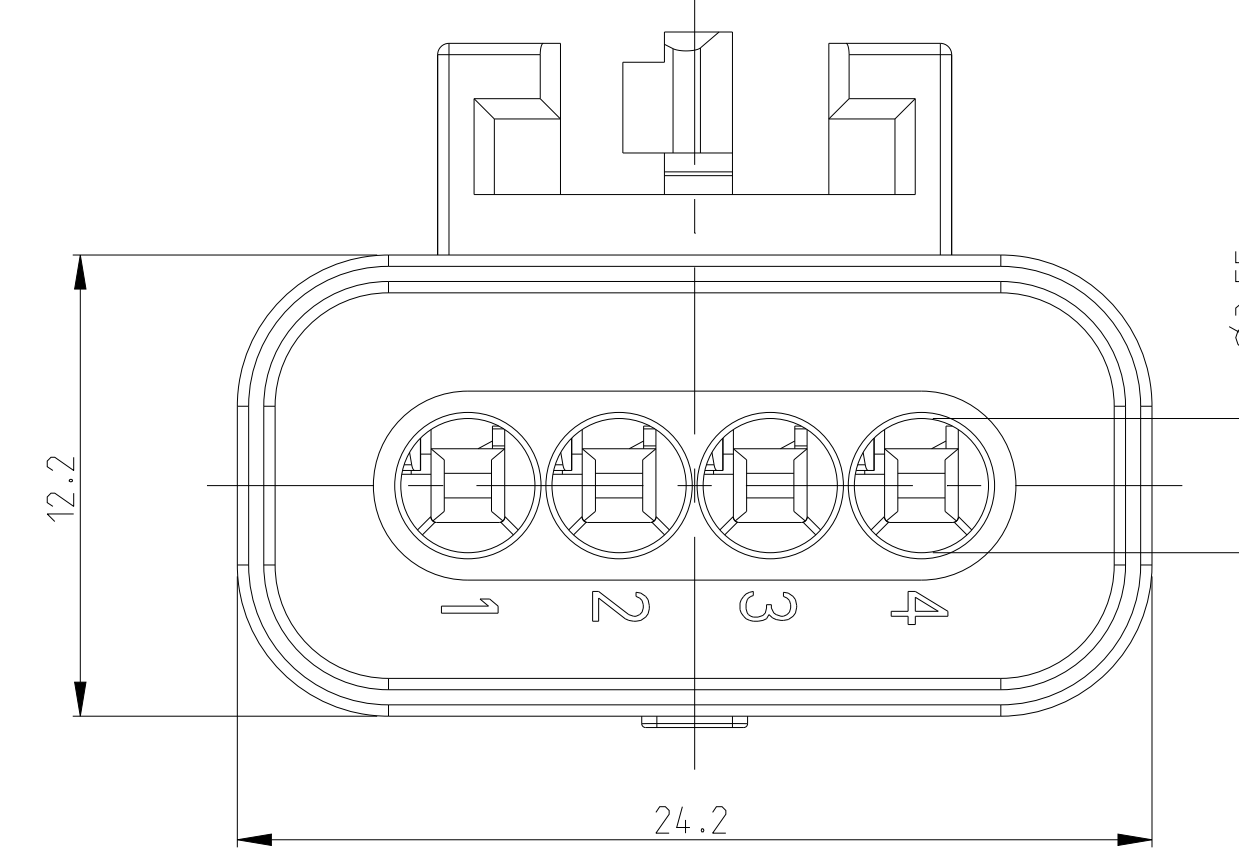


Z
5-1564559-1

SHOWN 1-1564559-2

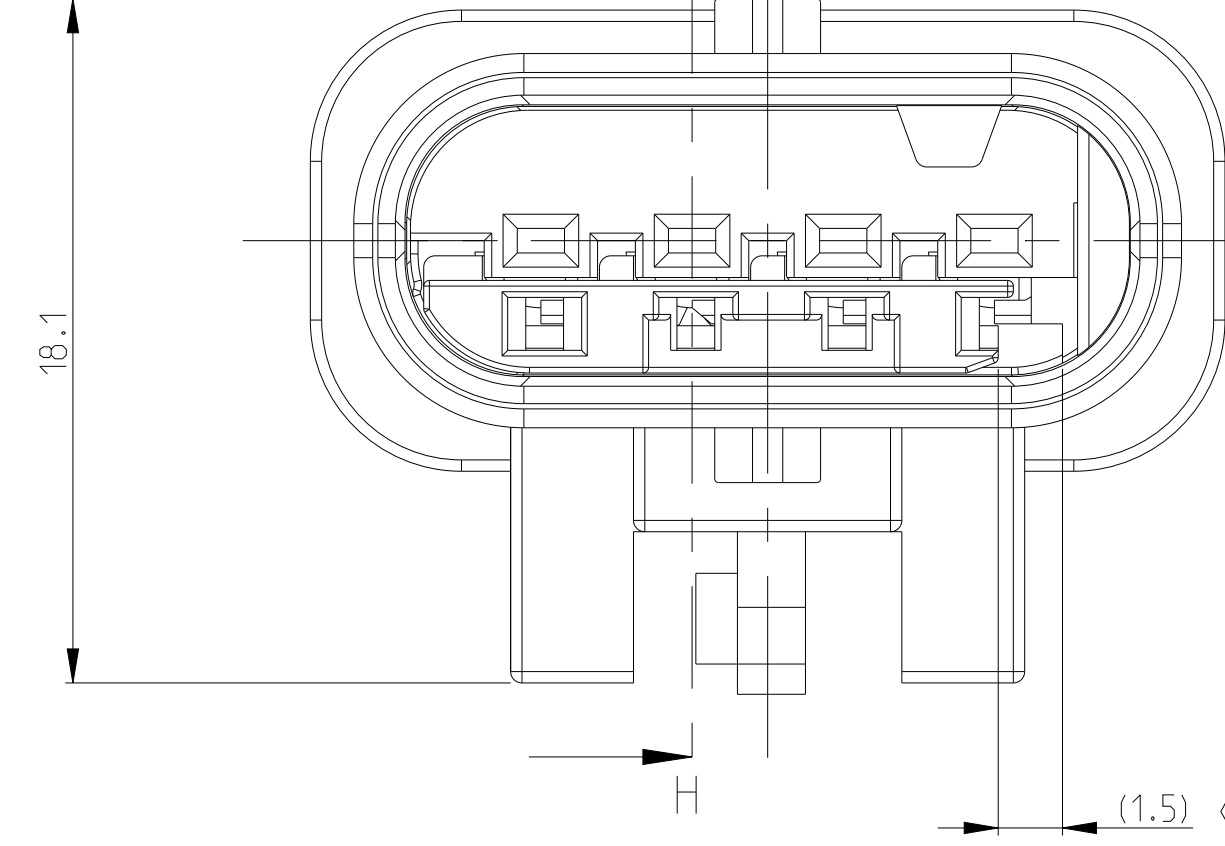


2:1

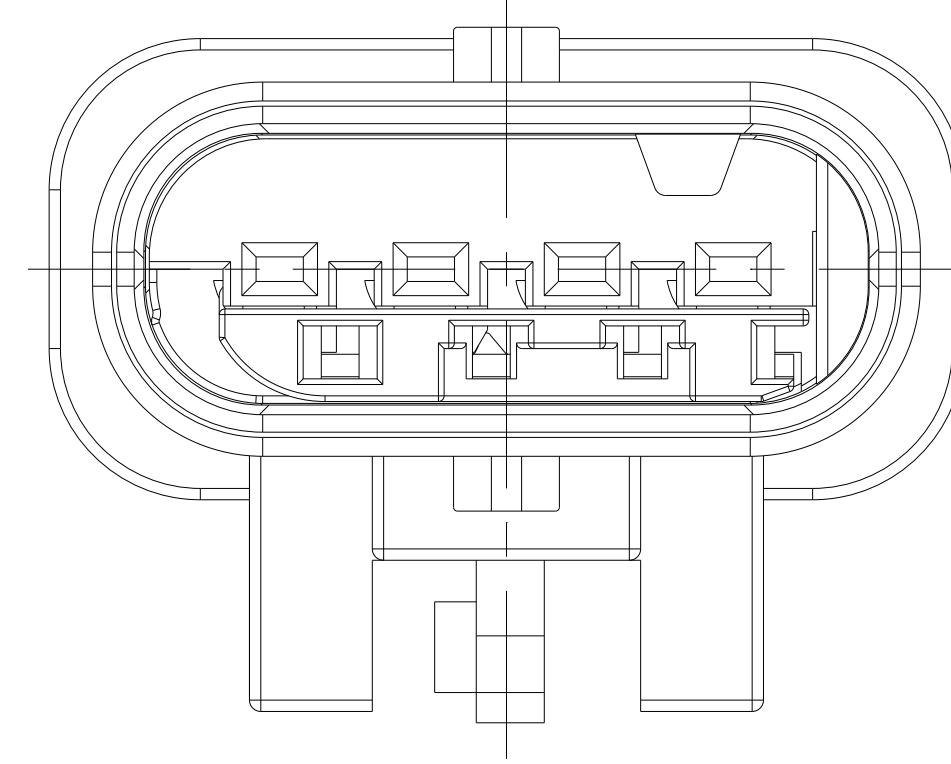


H-H

RETAINER IN PRE LOCKED POSITION
Kontaktsicherung in Vorraststellung



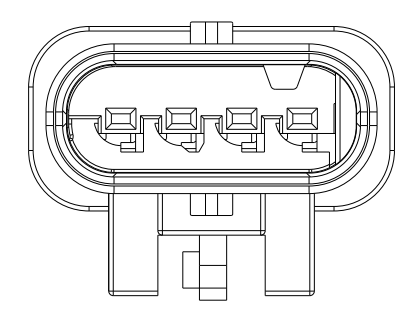
RETAINER IN FINAL LOCKED POSITION
2. Kontaktsicherung in Endraststellung



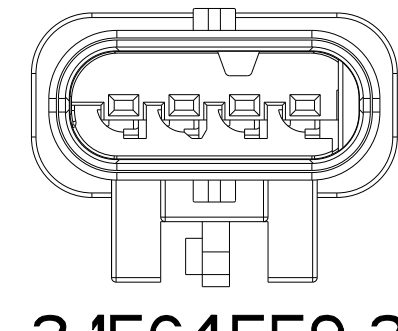
RETAINER MOVING DIRECTION
2. Kontaktsicherung Verschiebeweg

REV.	DATE	DESCRIPTION	BY	CHK.	APPD.
A4	16APR2011	PCN E-11-008327	MT	HR	
A5	04OCT2014	PCN E-14-014884	MT	HR	
A6	28OCT2021	PCN-21-19051	BV	LSZ	
A7	02AUG2023	ECN-23-224821	LSZ	SZN	

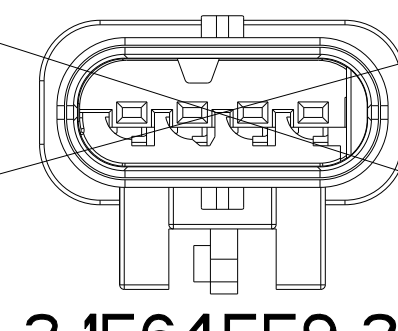
CODINGS 2:1



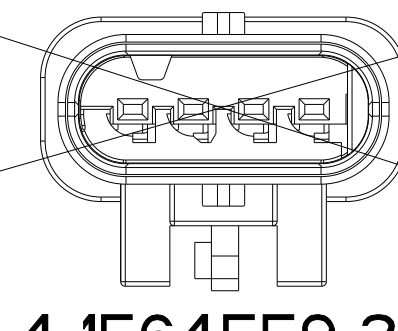
A
1-1564559-2
(BLACK)



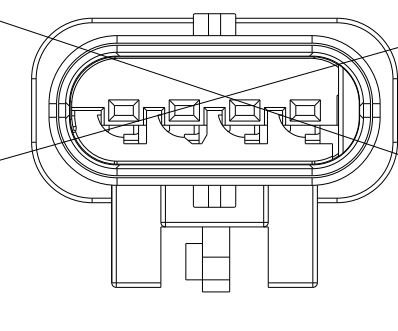
B
2-1564559-2
(GREY)



C
3-1564559-2



D
4-1564559-2



Z
5-1564559-2

TE-PN TERMINALS	WIRE RANGE	TE-PN SINGLE WIRE SEAL	TE-PN BLIND PLUG
2141868	0.08 - 0.22mm ²	967067-2	
1718758	0.25 - 0.35mm ²	967067-2	967056-1
1718760	0.5 - 0.75mm ²	967067-1	
1718762	1mm ²	967067-1	

TERMINAL TE-APPLICATION SPEC.: 114-18464.

TE SUITABLE FEMALE HSG. PASSENDE BUCHSENGEH.	TE-Bestell-Nr. ORDER-NO.	ASSY REV. CODE	Benennung TITLE	QTY	Benennung Einzelteil TITLE	Werkstoff MATERIAL	Oberflaeche/Farbe SURFACE/CLOUR	Pos. ITEM
	5-1564559-2	A	Z	1	Kontaktsicherung RETAINER	PA66-GF35	violett/VIOLET	2
	4-1564559-2	A	D	1	Stiftgehaeuse 4pol. MALE HOUSING 4POS.	PBT-GF30	schwarz/BLACK	1z
	3-1564559-2	A	C	1	Stiftgehaeuse 4pol. MALE HOUSING 4POS.	PA66-GF35	violett/VIOLET	2
	2-1670918-2	A	B	1	Stiftgehaeuse 4pol. MALE HOUSING 4POS.	PBT-GF30	schwarz/BLACK	1c
	1-1670918-2	A	A	1	Stiftgehaeuse 4pol. MALE HOUSING 4POS.	PA66-GF35	violett/VIOLET	2

1-1670918-1	5-1564559-1	A	A	1	Kontaktsicherung RETAINER	PA66-GF35	violett/VIOLET	2
3-1670918-1	3-1564559-4	A	C	1	Stiftgehaeuse 4pol. MALE HOUSING 4POS.	PA66-GF35	violett/VIOLET	2
2-1670918-1	2-1564559-4	A	B	1	Stiftgehaeuse 4pol. MALE HOUSING 4POS.	PBT-GF30	gelb/YELLOW	1a
1-1670918-1	1-1564559-4	A	A	1	Stiftgehaeuse 4pol. MALE HOUSING 4POS.	PA66-GF35	violett/VIOLET	2
	5-1564559-1	A	Z	1	Kontaktsicherung RETAINER	PBT-GF30	schwarz/BLACK	1z
	4-1564559-1	A	D	1	Stiftgehaeuse 4pol. MALE HOUSING 4POS.	PA66-GF35	violett/VIOLET	2
	3-1564559-1	A	C	1	Stiftgehaeuse 4pol. MALE HOUSING 4POS.	PBT-GF30	schwarz/BLACK	1c
2-1670918-1	2-1564559-1	A	B	1	Stiftgehaeuse 4pol. MALE HOUSING 4POS.	PA66-GF35	violett/VIOLET	2
1-1670918-1	1-1564559-1	A	A	1	Stiftgehaeuse 4pol. MALE HOUSING 4POS.	PBT-GF30	gelb/YELLOW	1a

TE SUITABLE FEMALE HSG. PASSENDE BUCHSENGEH.	TE-Bestell-Nr. ORDER-NO.	ASSY REV. CODE	Benennung TITLE	QTY	Benennung Einzelteil TITLE	Werkstoff MATERIAL	Oberflaeche/Farbe SURFACE/CLOUR	Pos. ITEM
	5-1564559-1	A	A	1	Kontaktsicherung RETAINER	PA66-GF35	violett/VIOLET	2
	4-1564559-1	A	D	1	Stiftgehaeuse 4pol. MALE HOUSING 4POS.	PBT-GF30	schwarz/BLACK	1d
	3-1564559-1	A	C	1	Stiftgehaeuse 4pol. MALE HOUSING 4POS.	PA66-GF35	violett/VIOLET	2
	2-1670918-1	A	B	1	Stiftgehaeuse 4pol. MALE HOUSING 4POS.	PBT-GF30	schwarz/BLACK	1c
	1-1670918-1	A	A	1	Stiftgehaeuse 4pol. MALE HOUSING 4POS.	PA66-GF35	violett/VIOLET	2

THIS DRAWING IS A CONTROLLED DOCUMENT. DATE: 07JUL2008
 DIMENSIONS: 07JUL2008
 DIM: 07JUL2008
 MATERIAL: 07JUL2008
 FINISH: 07JUL2008
 WEIGHT: 6.76g
 CUSTOMER DRAWING

DATE: 07JUL2008
 BY: CH. RIBBER
 CHECKED: 07JUL2008
 APPROVED: 07JUL2008
 PRODUCT SPEC: 108-94177-1
 APPLICATION SPEC: 114-18910-1
 SCALE: 1:1
 SHEET: 1 OF 1
 REV: A7

STE TE Connectivity
 MALE HOUSING, 4Pos., MCON 1.2 SEALED TOP / SIDE LATCH
 Stiftgehaeuse, 4pol., MCON 1.2 gedichtet
 A0 00779 C=1564559

REGRIND MAX. 25%