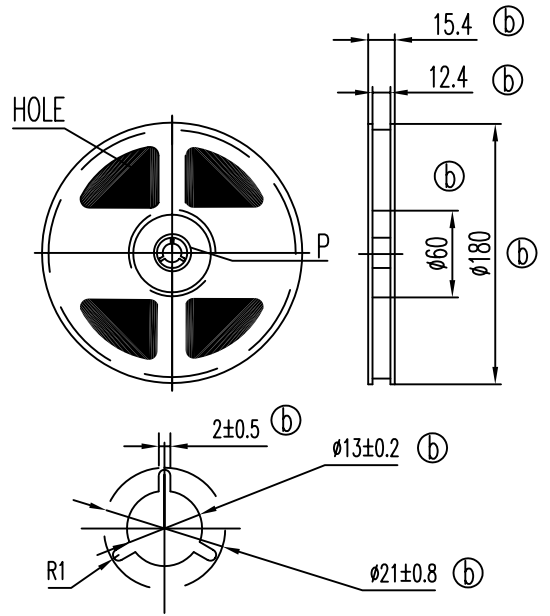
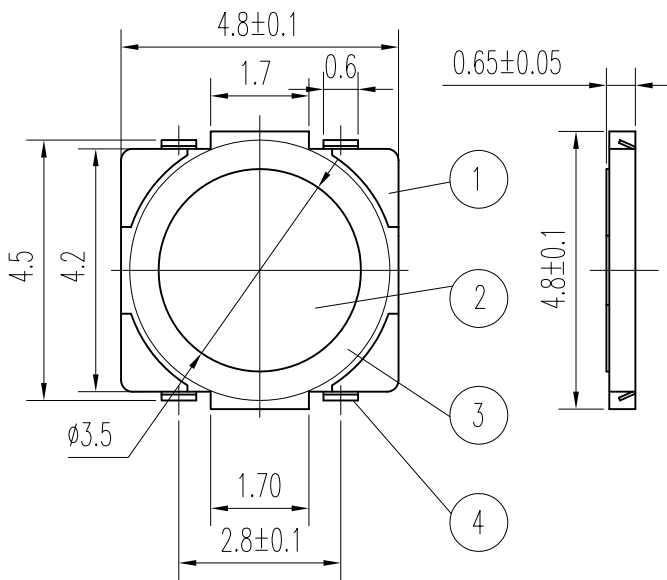
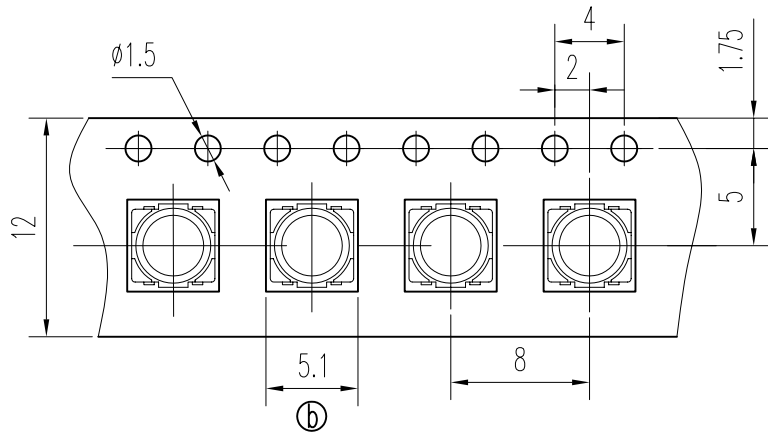


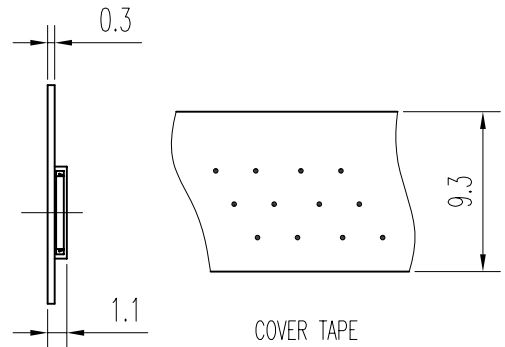
TRAVEL : 0.25±0.10mm



P DETAIL 4 : 1



TOTAL 2,000PCS PER REEL ⑥



COVER TAPE

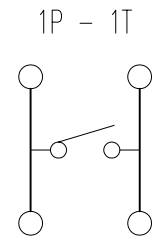
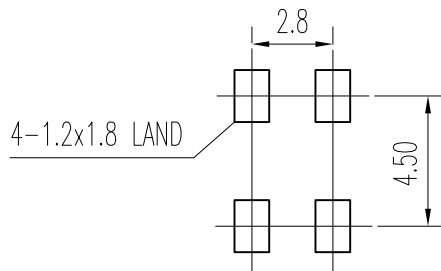


示意图 SCHEMATIC



安装孔 PIERCING PLAN

规格 Specifications

额定负荷 Ratings	DC 12_V_50_mA
初期接触电阻 Initial Contact Resistance	100 mΩ Max.
绝缘电阻 Insulation Resistance	DC 100V 60±5 Sec. 100 MΩ Min.
抗电强度 Dielectric Voltage	AC 250_V(50~60HZ) 60±5 Sec.

操作力 Operating Force	160±50_gf
负荷寿命 Operating Life With Load	100,000_次cycles

4	端子 TERMINAL	C2680R	4	Ag PLATED				
3	防尘罩 DUST COVER	POLYIMIDE TAPE	1	YELLOW	A02	更改包装规格, 图面及相应尺寸见标注 ⑥	鲁腾	06-11-29
2	弹片 SPRING PLATE	SUS	1	Ag CLAD	A01		杨静华	06-4-20
1	胶壳 HOUSING	PA	1	BLACK C	标号 REV	内容 DESCRIPTION	签名 SIGN.	日期 DATE
序NO.	零件 PART	材料 MATERIAL	数量 QTY	备注 REMARKS	DWG NO. ITEM2642			

TOLERANCES UNLESS OTHERWISE SPEC.		TITLE	TACT SWITCH		ITEM NO	RS-197N05A1-DS RT		
UNDER 1	± 0.10	DRAWN	鲁腾	06-11-29	VERSION	A02	PAGE 1	OF 1
1 - 10	± 0.30	REVIEWED	李宗慧	06-11-29	SCALE		UNIT	mm
OVER 10	± 0.50	APPROVED	马建和	06-11-29	PROJECTION			

COMAX ELECTRONICS (HUIZHOU) CO.,LTD.