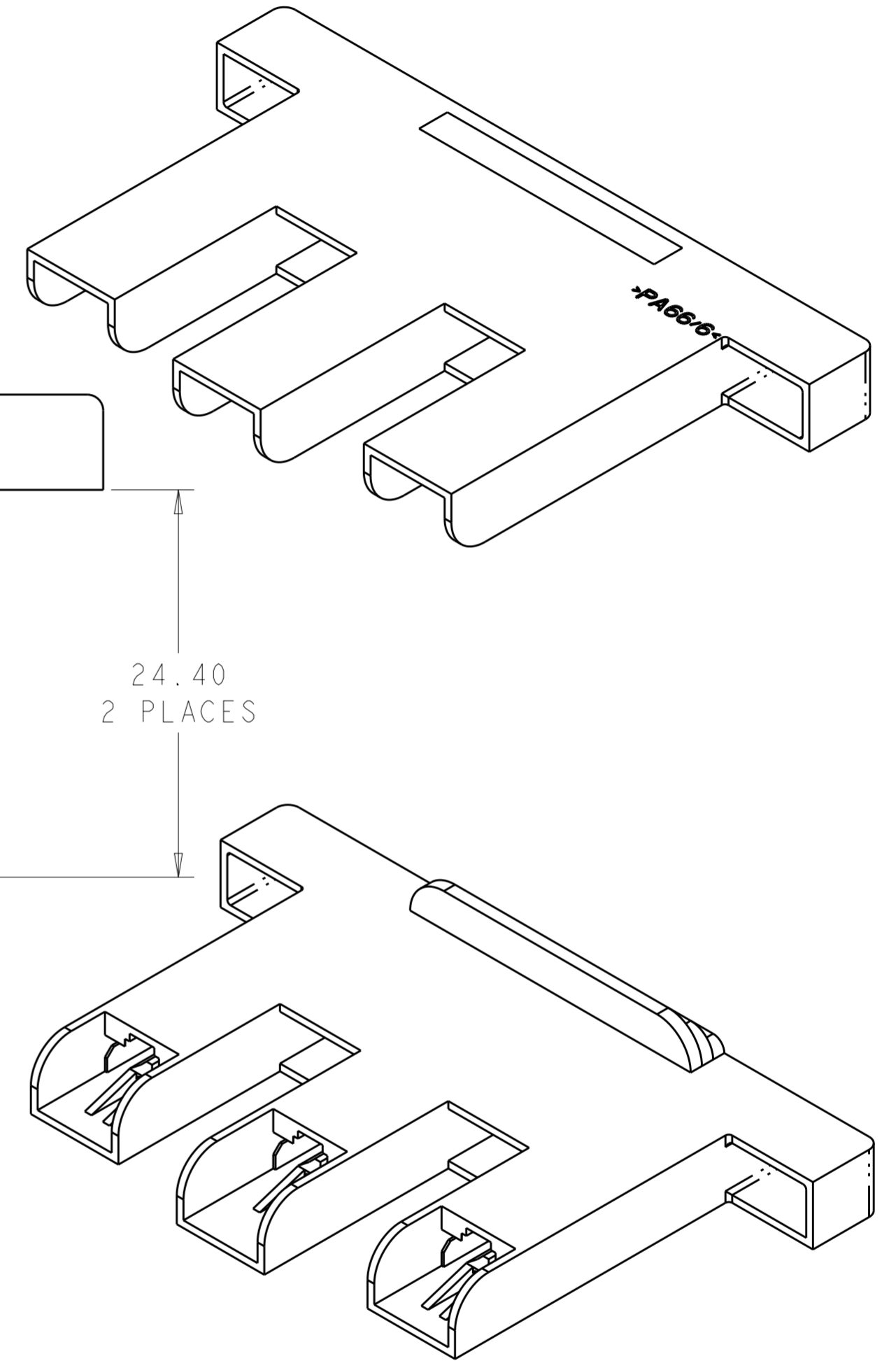
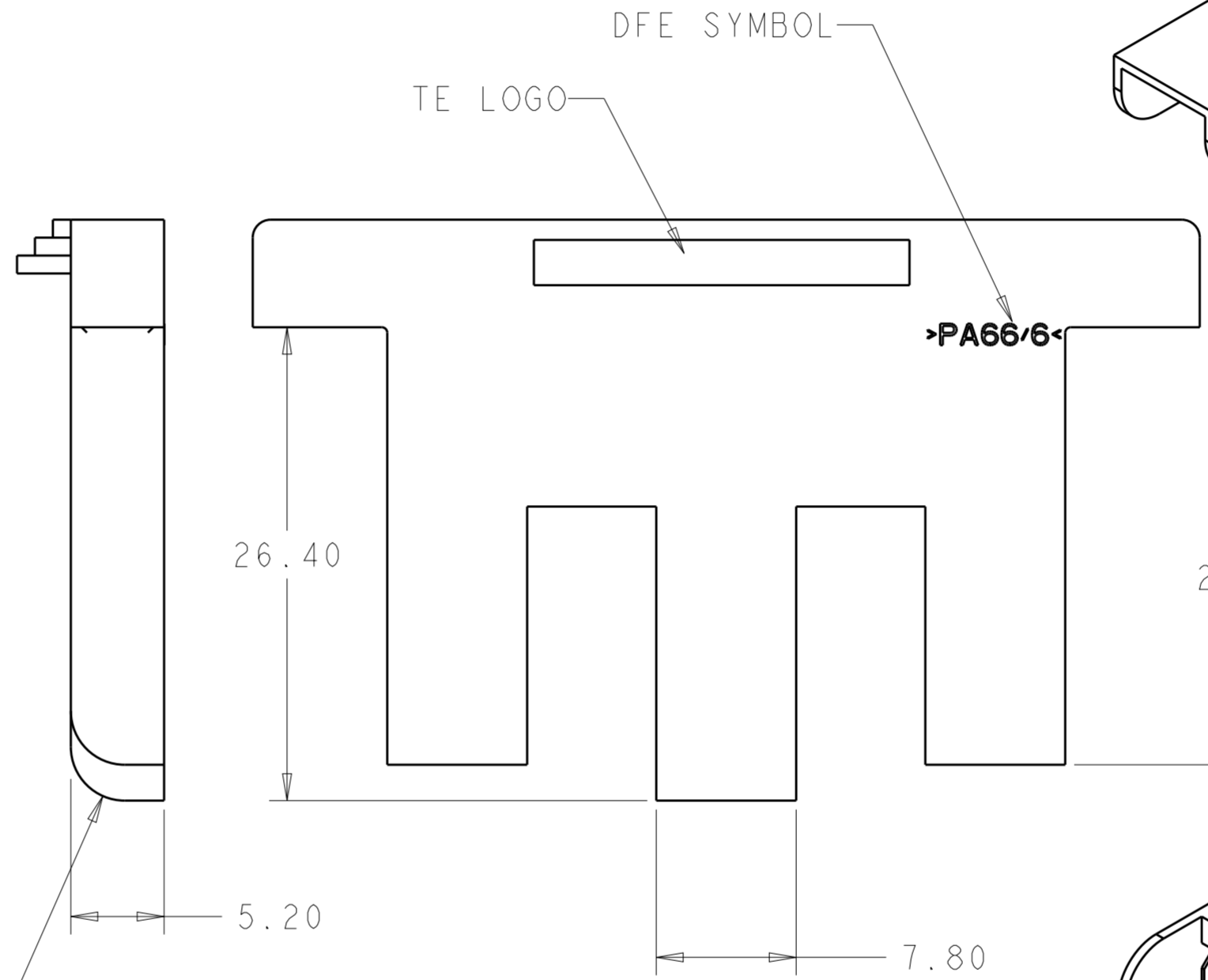
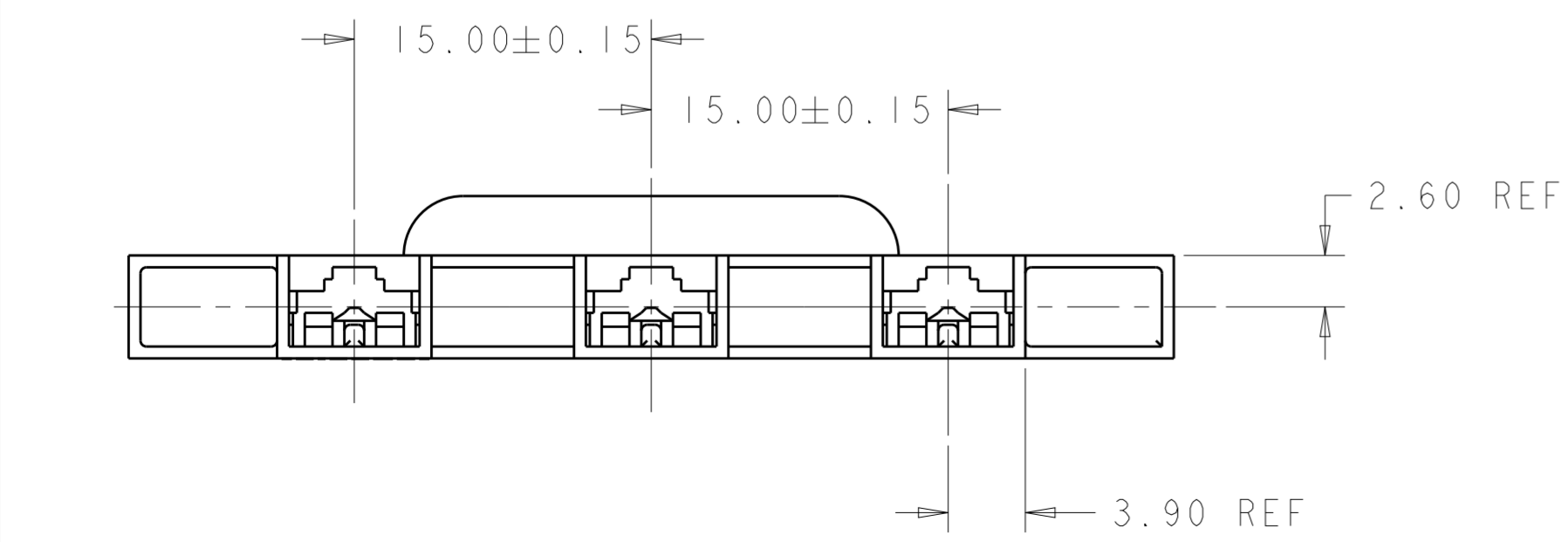
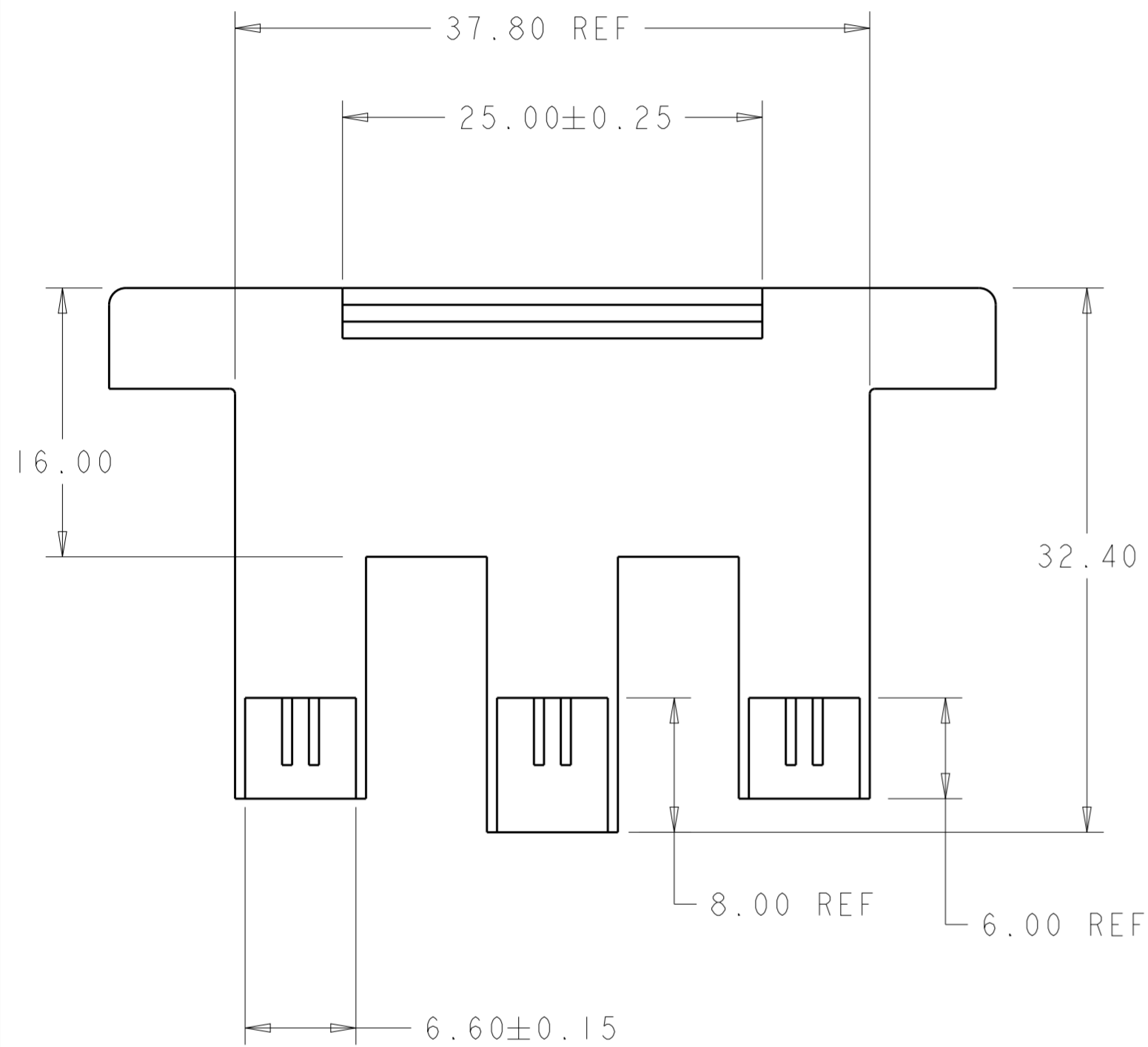
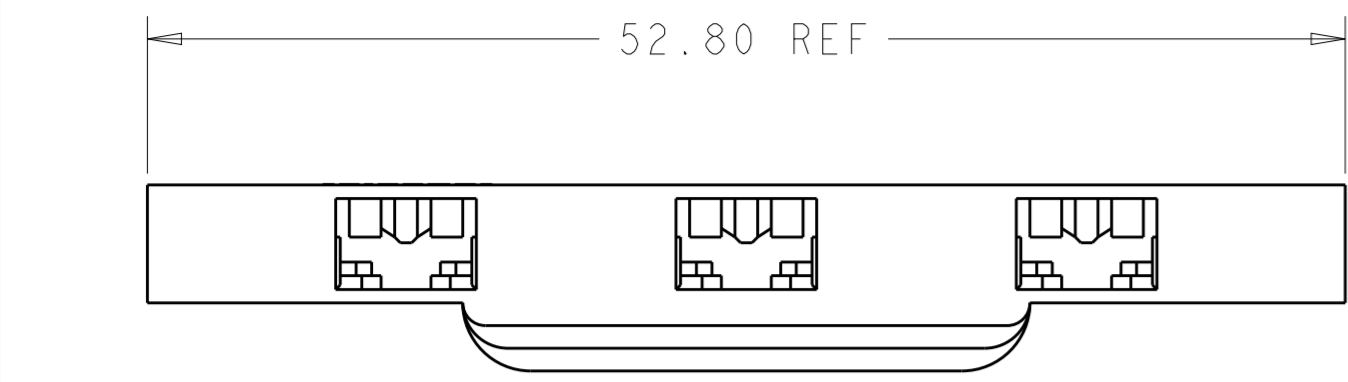


THIS DRAWING IS UNPUBLISHED. RELEASED FOR PUBLICATION 20
 © COPYRIGHT 20 BY TYCO ELECTRONICS CORPORATION. ALL RIGHTS RESERVED.

LOC		DIST		REVISIONS			
P	LTR	DESCRIPTION	DATE	DWN	APVD		
AF	50	A3	REVISED PER ECR-14-012034	08OCT14	JR	DH	

1 ACCEPTS MARK II .187 SERIES RECEPTACLE,
 (REPRESENTATIVE PART NUMBERS IS 170324-1).



R3.00
6 PLACES

NATURAL	NYLON, V0	521823-1
COLOR	MATERIAL	PART NUMBER

THIS DRAWING IS A CONTROLLED DOCUMENT FOR TYCO ELECTRONICS CORPORATION. IT IS SUBJECT TO CHANGE AND THE CONTROLLING ENGINEERING ORGANIZATION SHOULD BE CONTACTED FOR THE LATEST REVISION.		DWN M.S. FEHER 18MAY2005	Tyco Electronics Harrisburg, PA 17105-3608	
DIMENSIONS: mm		CHK E. HOWARD 18MAY2005	NAME HOUSING, MOTOR, POSITIVE-LOCK, .187 SERIES, MK II, 3 POSITION	
TOLERANCES UNLESS OTHERWISE SPECIFIED: 0 PLC ± 1 PLC ± 2 PLC ±0.2 3 PLC ± 4 PLC ± ANGLES ±1° FINISH		APVD E. HOWARD 18MAY2005	RESTRICTED TO	
MATERIAL SEE TABLE		PRODUCT SPEC -	SIZE A2	CAGE CODE 00779
SEE TABLE		APPLICATION SPEC -	DRAWING NO C-521823	SCALE 3:1
SEE TABLE		WEIGHT -	CUSTOMER DRAWING	SHEET 1 OF 1 REV A3