

MAX20336/MAX20337

Ultra-Small, Low- R_{ON} , Beyond-the-Rails DPST/SPDT Analog Switches

General Description

The MAX20336/MAX20337 ultra-small, low-on-resistance (R_{ON}) double-pole/single throw (DPST) and single-pole/double-throw (SPDT) analog switches feature Beyond-the-Rails™ capability that allows signals from -5.5V to +5.5V to pass without distortion, even when the power supply is below the signal range. The low on-resistance (0.19Ω) also makes the devices ideal for low-distortion switching applications, such as audio or video.

The MAX20336/MAX20337 are fully specified to operate from a single +1.6V to +5.5V power supply. Because of the low supply current requirement, V_{CCEN} can be provided by a GPIO. When power is not applied, the switches go to a high-impedance mode and all analog signal ports can withstand signals from -5.5V to +5.5V.

The MAX20336/MAX20337 are available in a 1.308mm x 0.828mm, 0.4mm pitch, 6-bump wafer-level package (WLP) and 1.25mm x 1.75mm 6-pin FC2QFN package, and operate over the -40°C to +85°C extended temperature range.

Applications

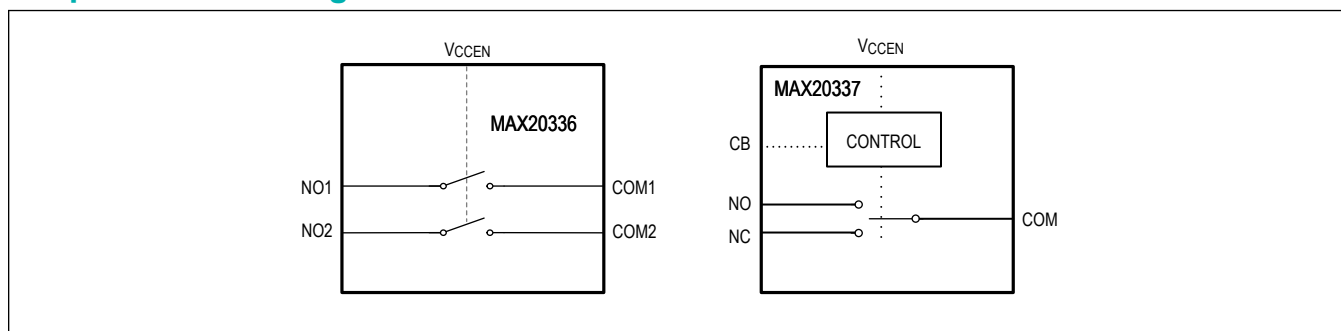
- Cell phone
- Tablet
- Portable Audio/Video Equipment
- Portable Navigation Devices

Benefits and Features

- Distortion-Free Beyond-the-Rails Signaling
 - Negative Voltage Audio and Video Signal Capable
 - -5.5V to +5.5V Analog Signal Range Independent of V_{CCEN}
 - On-Resistance 0.19Ω (typ)
 - +1.6V to +5.5V Single-Supply Range
 - Total Harmonic Distortion Plus Noise -114dB (typ)
 - On-Resistance Flatness 0.0001Ω (typ)
- Low Supply Current 65μA/70μA (typ) at 1.6V
 - Can be Powered by GPIO
 - High-Impedance Mode when V_{CCEN} Not Applied
- ESD Protection on COM_, NO_, NC
 - ±30kV Human Body Model
 - ±7kV IEC 61000-4-2 Air Gap
 - ±8kV IEC 61000-4-2 Contact
- Design Flexibility
 - 6-Bump WLP (1.308mm x 0.828mm) Package
 - 6-Pin FC2QFN (1.25mm x 1.75mm) Package
 - -40°C to +85°C Operating Temperature Range

Ordering Information appears at end of data sheet.

Simplified Block Diagram



Beyond-the-Rails is a trademark of Maxim Integrated Products, Inc.

Absolute Maximum Ratings

V _{CCEN} , CB to GND	-0.3V to +6V	FC2QFN (derate 5.83mW/°C above +70°C).....	466.2mW
NO ₋ , COM ₋ , NC to GND.....	-6V to +6V	Operating Temperature Range	-40°C to +85°C
Continuous Current NO ₋ , COM ₋ , NC	±500mA	Junction Temperature	+150°C
Peak Current NO ₋ , COM ₋ , NC (50% duty cycle, 10ms pulse).....	±850mA	Storage Temperature Range	-65°C to +150°C
Continuous Power Dissipation (T _A = +70°C) WLP (derate 10.51mW/°C above +70°C).....	840.8mW	Soldering Temperature (reflow)	+260°C

Stresses beyond those listed under "Absolute Maximum Ratings" may cause permanent damage to the device. These are stress ratings only, and functional operation of the device at these or any other conditions beyond those indicated in the operational sections of the specifications is not implied. Exposure to absolute maximum rating conditions for extended periods may affect device reliability.

Package Information

6 BUMP WLP (MAX20336)

Package Code	N60K1+1
Outline Number	21-100308
Land Pattern Number	Refer to Application Note 1891
THERMAL RESISTANCE, FOUR-LAYER BOARD	
Junction to Ambient (θ _{JA})	95.15°C/W

6 BUMP WLP (MAX20337)

Package Code	N60K1+2
Outline Number	21-100311
Land Pattern Number	Refer to Application Note 1891
THERMAL RESISTANCE, FOUR-LAYER BOARD	
Junction to Ambient (θ _{JA})	95.15°C/W

6 FC2QFN (MAX20336/MAX20337)

Package Code	F61A1F+1
Outline Number	21-100313
Land Pattern Number	90-100167
THERMAL RESISTANCE, FOUR-LAYER BOARD	
Junction to Ambient (θ _{JA})	171.6 °C/W
Junction to Ambient (θ _{JC})	58.7 °C/W

For the latest package outline information and land patterns (footprints), go to www.maximintegrated.com/packages. Note that a "+", "#", or "-" in the package code indicates RoHS status only. Package drawings may show a different suffix character, but the drawing pertains to the package regardless of RoHS status.

Package thermal resistances were obtained using the method described in JEDEC specification JESD51-7, using a four-layer board. For detailed information on package thermal considerations, refer to www.maximintegrated.com/thermal-tutorial.

Electrical Characteristics

($V_{CCEN} = +1.6V$ to $+5.5V$, $T_A = -40^{\circ}C$ to $+85^{\circ}C$, unless otherwise noted. Typical values are at $V_{CCEN} = +2.5V$, $T_A = +25^{\circ}C$, unless otherwise noted.) (Note 1)

PARAMETER	SYMBOL	CONDITIONS		MIN	TYP	MAX	UNITS
POWER SUPPLY							
Power-Supply Range	V_{CCEN}			1.6		5.5	V
Power-Supply Rejection Ratio	PSRR	$R_{COM_} = 32\Omega$, $f = 20kHz$			90		dB
Supply Current	I_{CC}	$V_{CCEN} = +1.6V$	MAX20336		65	115	μA
			MAX20337		70	115	
		$V_{CCEN} = +4.2V$	MAX20336		100	190	
			MAX20337		112	200	
ANALOG SWITCH							
Analog Signal Range	V_{NC} , $V_{NO_}$, $V_{COM_}$			-5.5		+5.5	V
On-Resistance	R_{ON}	$V_{CCEN} = 2.5V$, $V_{COM_} = 0V$, $I_{COM_} = 100mA$ (Note 2)			0.190	0.33	Ω
		$V_{CCEN} = 1.8V$, $V_{COM_} = 0V$, $I_{COM_} = 100mA$ (Note 2)			0.225	0.40	
On-Resistance Match Between Channels	ΔR_{ON}	$V_{CCEN} = 2.5V$, $I_{COM_} = 100mA$, between two channels		-0.05	+0.003	+0.05	Ω
On-Resistance Flatness	R_{FLAT}	$V_{CCEN} = 2.5V$, $I_{COM_} = 100mA$, $V_{COM_} = -5.5V$ to $+5.5V$ (Note 3, Note 4)			0.0001	0.01	Ω
NO_, COM Off-Leakage Current	$I_{NO_ (OFF)}$, $I_{COM_ (OFF)}$	$V_{CCEN} = 0V$, $V_{NO_} = -5.5$ or $+5.5V$, $V_{COM_} = +5.5V$, $-5.5V$, unconnected	MAX20336	-100		+100	nA
			MAX20337	-100		+100	
COM On-Leakage Current	$I_{COM_ (ON)}$	$V_{CCEN} = 2.5V$, switch closed, $V_{COM_} = V_{NO_} = -5.5V$, $+5.5V$ or $V_{COM_} = V_{NC} = -5.5V$, $+5.5V$	MAX20336	-50		+50	nA
			MAX20337	-100		+100	
DYNAMIC TIMING							
Turn-On Time	t_{ON}	V_{CCEN} from 0V to 2.5V, $V_{NO_} = 5.5V$, $R_L = 50\Omega$ (Figure 1)	MAX20336		1.7		ms
		$V_{CCEN} = 2.5V$, $V_{IN} = 5V$, $R_L = 50\Omega$ (Figure 2)	MAX20337		32.5		

Electrical Characteristics (continued)

($V_{CCEN} = +1.6V$ to $+5.5V$, $T_A = -40^{\circ}C$ to $+85^{\circ}C$, unless otherwise noted. Typical values are at $V_{CCEN} = +2.5V$, $T_A = +25^{\circ}C$, unless otherwise noted.) (Note 1)

PARAMETER	SYMBOL	CONDITIONS		MIN	TYP	MAX	UNITS
Turn-Off Time	t_{OFF}	V_{CCEN} from 2.5V to 0V, $V_{NO_} = 5.5V$, $R_L = 50\Omega$ (Figure 1)	MAX20336		13.5		ms
		$V_{CCEN} = 2.5V$, $V_{IN} = 5V$, $R_L = 50\Omega$ (Figure 2)	MAX20337		8.8		
Break-Before-Make Time	t_{BBM}	MAX20337 only, $V_{CCEN} = 2.5V$, $V_{IN} = 5V$, $R_L = 50\Omega$. Time that both NC/NO switches are open during transition (Figure 3, Note 5)			23.7		ms
AUDIO PERFORMANCE							
Total Harmonic Distortion Plus Noise	THD + N	$f = 20Hz$ to $20kHz$, $R_S = 20\Omega$, DC bias = 0	$V_{COM_} = 1V_{P-P}$, $R_L = 32\Omega$		-109		dB
			$V_{COM_} = 1V_{P-P}$, $R_L = 600\Omega$		-109		
			$V_{COM_} = 1V_{RMS}$, $R_L = 32\Omega$		-114		
			$V_{COM_} = 1V_{RMS}$, $R_L = 600\Omega$		-114		
Off-Isolation	V_{ISO}	$R_S = R_L = 50\Omega$; $V_{COM_} = 0.5V_{P-P}$, $f = 100kHz$, $V_{CCEN} = 0V$, DC bias = 0.25V, (Figure 4)			-55		dB
Crosstalk	V_{CT}	$R_S = R_L = 50\Omega$, $V_{COM_} = 0.5V_{P-P}$, $f = 100kHz$ (Figure 4)	MAX20336		-85		dB
			MAX20337		-55		
-3dB Bandwidth	BW	$R_S = R_L = 50\Omega$	MAX20336		270		MHz
			MAX20337		220		
NO_ Off-Capacitance	$C_{NO_}(OFF)$	$V_{NO_} = 0.5V_{P-P}$, $f = 1MHz$, COM_ unconnected	MAX20336		14		pF
			MAX20337		19		
COM_ On-Capacitance	$C_{COM_}(ON)$	$V_{NO_} = 0.5V_{P-P}$, $f = 1MHz$	MAX20336		11		pF
			MAX20337		27		
DIGITAL I/O (CB)							
Input-Logic High Voltage	V_{IH}			1.4			V
Input-Logic Low Voltage	V_{IL}					0.4	V
Input Leakage Current	I_{IN}	$V_{CB} = 0V$ or V_{CCEN}		-1		+1	μA
THERMAL PROTECTION							
Thermal Shutdown	T_{SHDN}				+150		$^{\circ}C$
Thermal Hysteresis	T_{HYST}				+25		$^{\circ}C$

Electrical Characteristics (continued)

($V_{CCEN} = +1.6V$ to $+5.5V$, $T_A = -40^{\circ}C$ to $+85^{\circ}C$, unless otherwise noted. Typical values are at $V_{CCEN} = +2.5V$, $T_A = +25^{\circ}C$, unless otherwise noted.) (Note 1)

PARAMETER	SYMBOL	CONDITIONS	MIN	TYP	MAX	UNITS
ESD PROTECTION						
COM_, NO_, NC		HBM			±30	kV
		IEC61000-4-2 Air-Gap Discharge			±7	
		IEC61000-4-2 Contact Discharge			±8	
All other pins		HBM			±2	kV

Note 1: All specifications are 100% production tested at $T_A = +25^{\circ}C$, unless otherwise noted. Specifications are over $T_A = -40^{\circ}C$ to $+85^{\circ}C$ and are guaranteed by design.

Note 2: The same limits apply for $V_{COM_} = -5.5V$ to $+5.5V$ and are guaranteed by design.

Note 3: Flatness is defined as the difference between the maximum and minimum value of on-resistance, as measured over specified analog signal ranges.

Note 4: Guaranteed by design; not production tested.

Note 5: Between two switches.

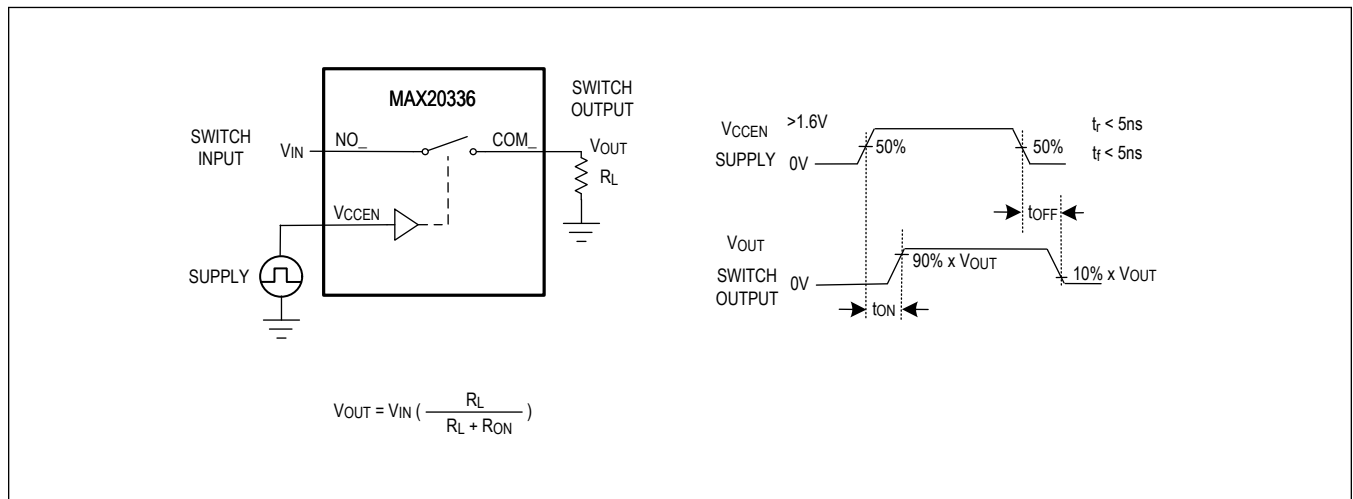


Figure 1. Switching Time (MAX20336)

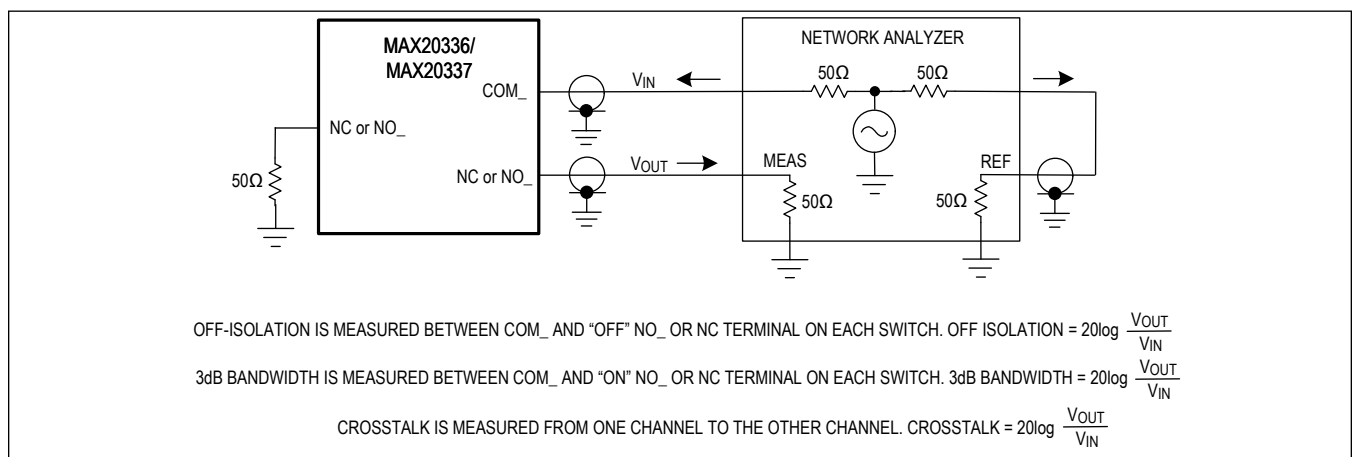
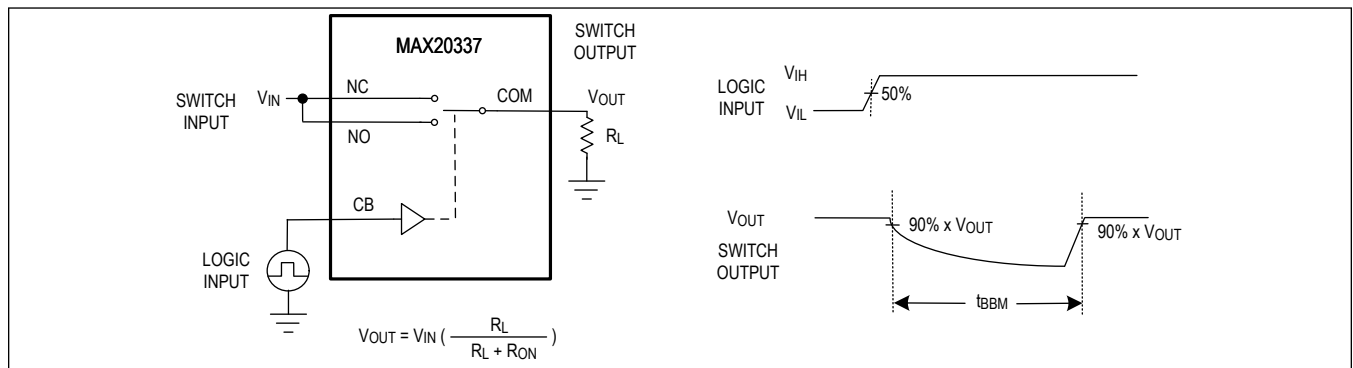
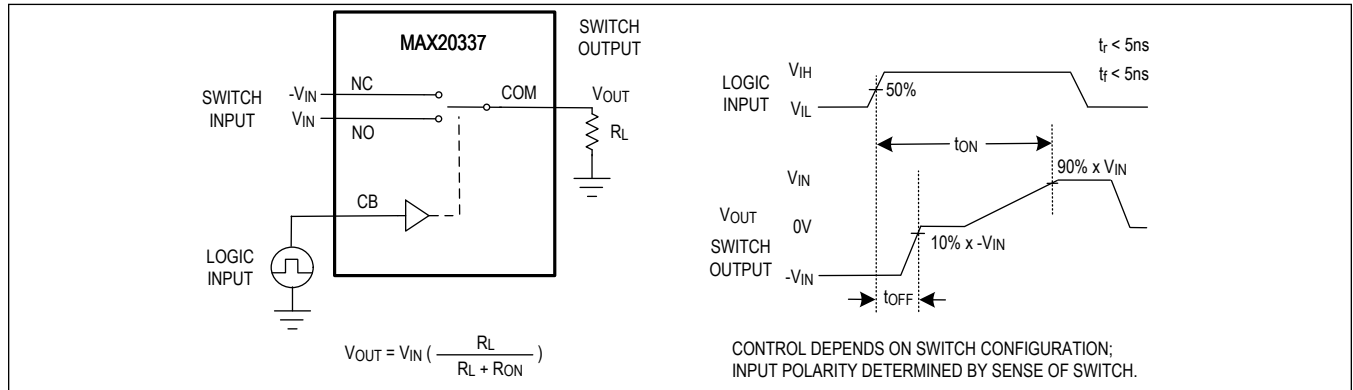
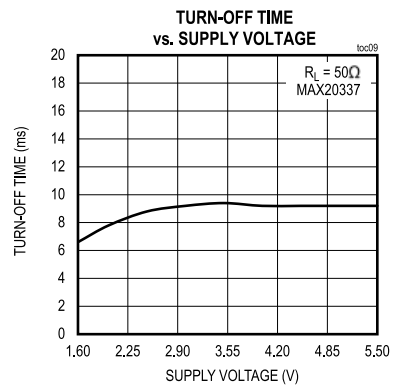
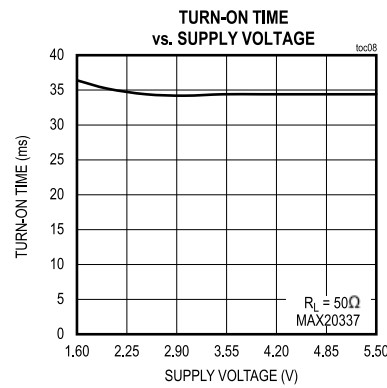
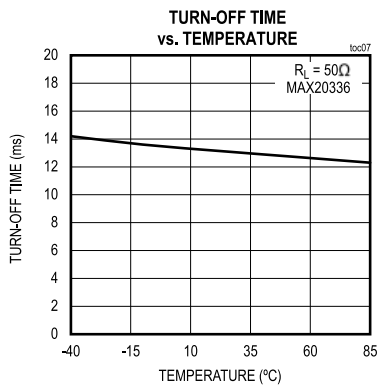
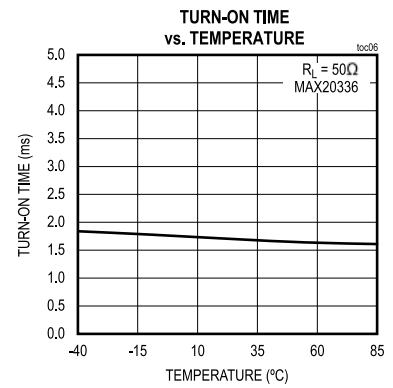
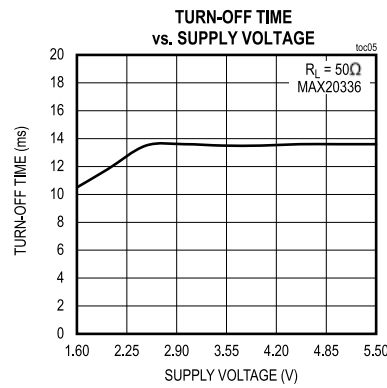
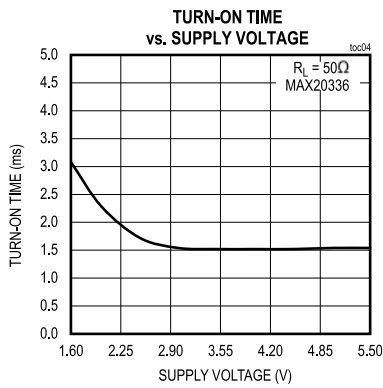
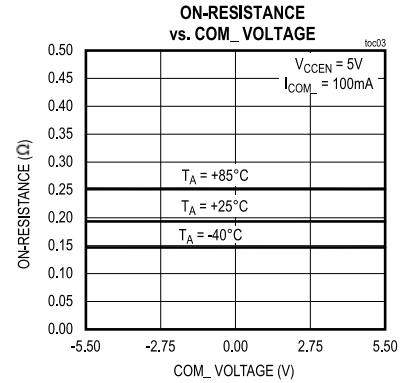
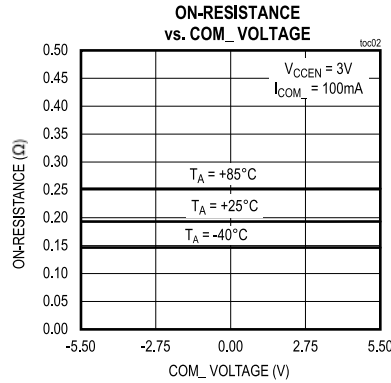
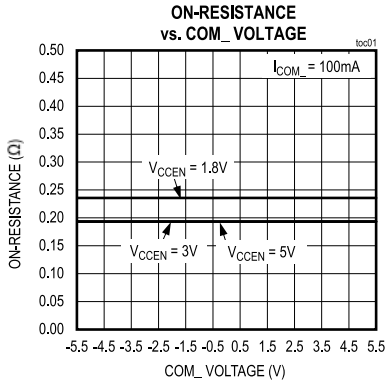


Figure 4. 3dB Bandwidth, Off-Isolation, and Crosstalk

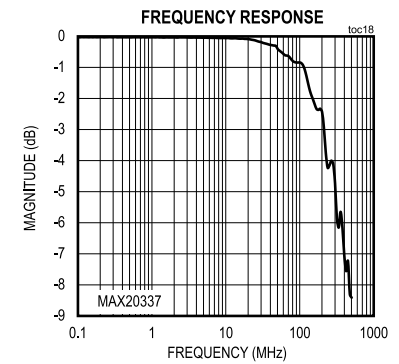
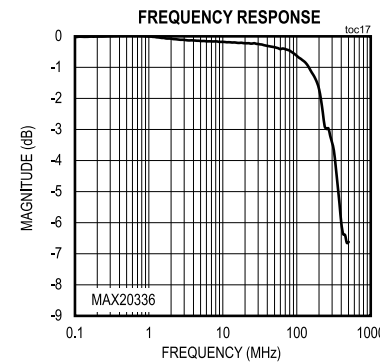
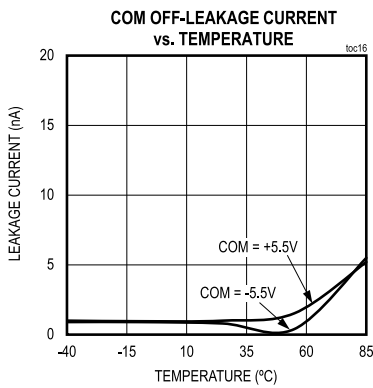
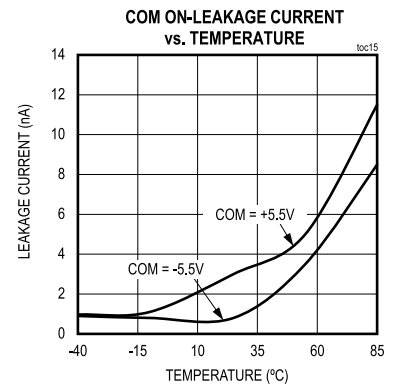
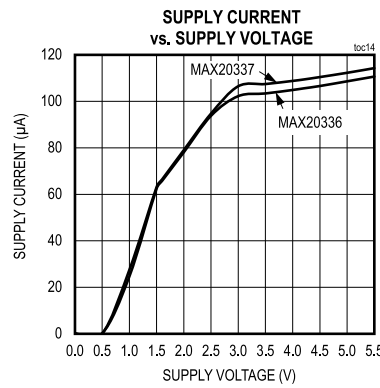
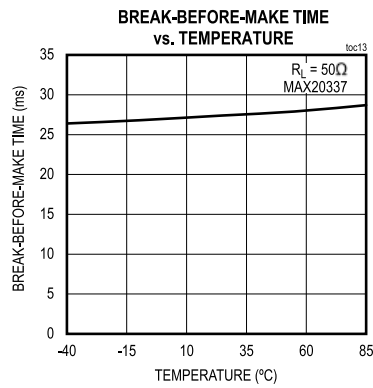
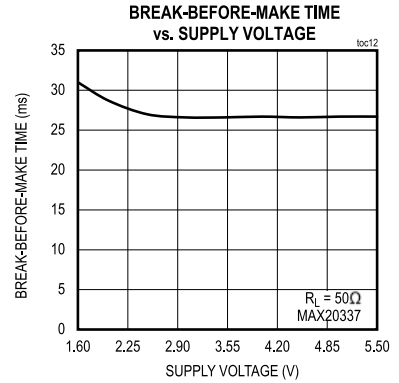
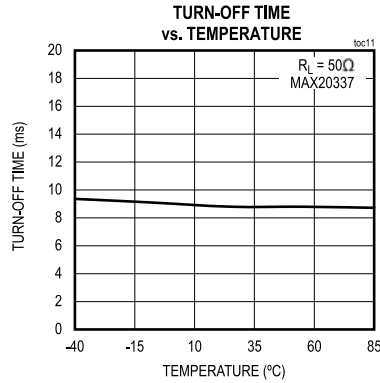
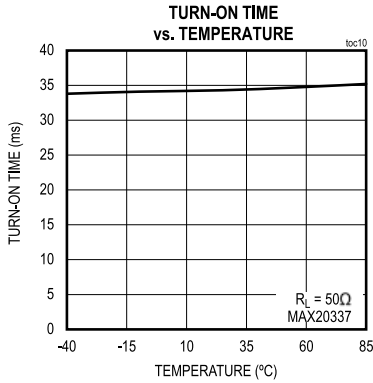
Typical Operating Characteristics

($V_{CCEN} = +2.5V$, $T_A = +25^\circ C$, unless otherwise noted.)



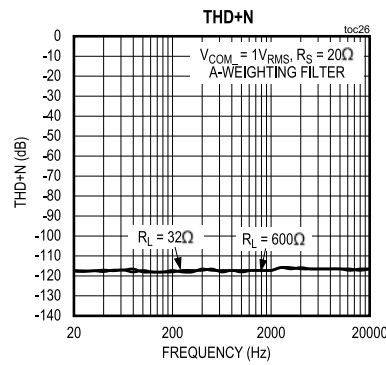
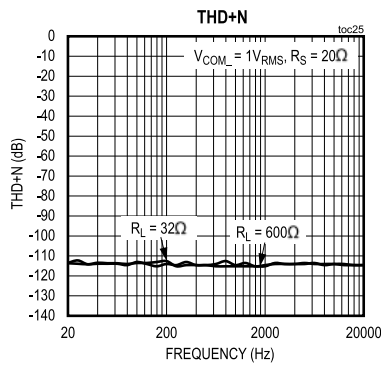
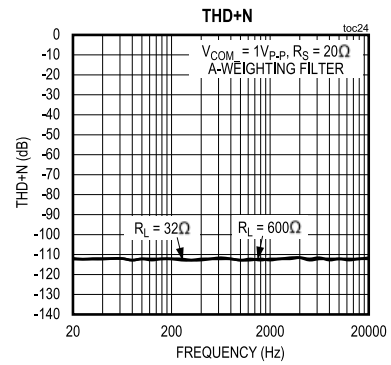
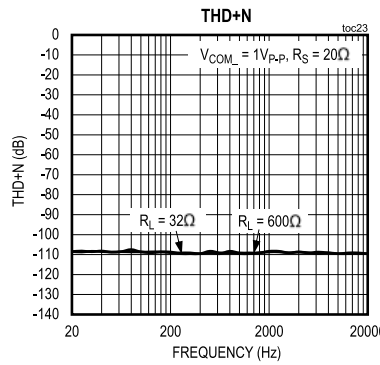
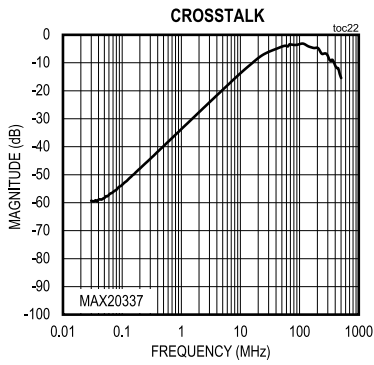
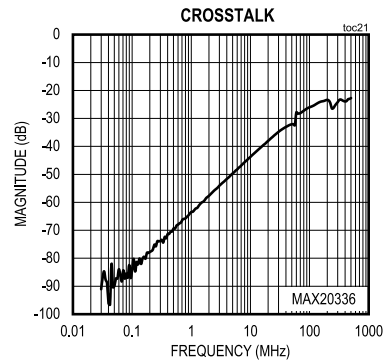
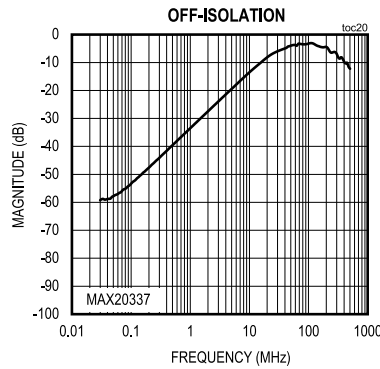
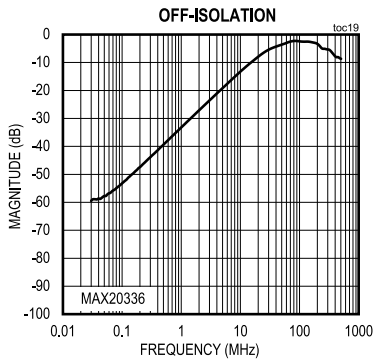
Typical Operating Characteristics (continued)

($V_{CCEN} = +2.5V$, $T_A = +25^\circ C$, unless otherwise noted.)

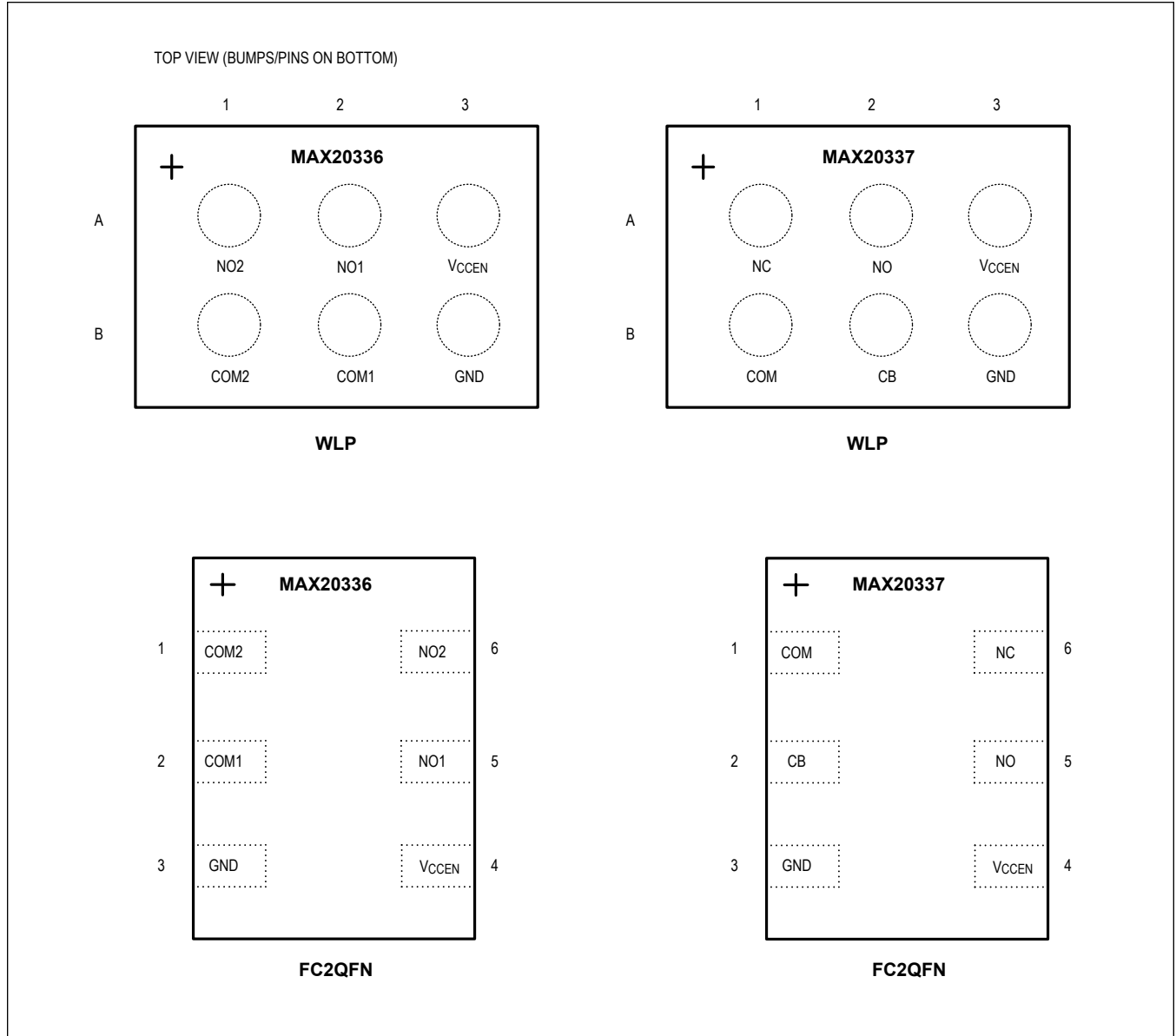


Typical Operating Characteristics (continued)

($V_{CCEN} = +2.5V$, $T_A = +25^\circ C$, unless otherwise noted.)



Pin Configuration



Pin Description

PIN				NAME	FUNCTION
MAX20336 WLP	MAX20336 FC2QFN	MAX20337 WLP	MAX20337 FC2QFN		
A1	6	-	-	NO2	Normally Open Terminal for Switch 2
-	-	A1	6	NC	Normally Closed Terminal
A2	5	-	-	NO1	Normally Open Terminal for Switch 1
-	-	A2	5	NO	Normally Open Terminal
A3	4	A3	4	V _{CCEN}	Supply Voltage Enable Input. Bypass V _{CCEN} to GND with a 0.1 μ F capacitor as close to the device as possible.
B1	1	-	-	COM2	Common Terminal for Switch 2
-	-	B1	1	COM	Common Terminal
B2	2	-	-	COM1	Common Terminal for Switch 1
-	-	B2	2	CB	Digital Control Input. Drive CB low to connect COM to NC. Drive CB high to connect COM to NO.
B3	3	B3	3	GND	Ground

Detailed Description

The MAX20336/MAX20337 are ultra-small, low on-resistance, high ESD-protected DPST/SPDT switches that operate from a +1.6V to +5.5V supply, and are designed to pass analog signals, such as AC-biased or DC-biased audio and video signals. These switches feature the low on-resistance (R_{ON}) necessary for high-performance switching applications. The Beyond-the-Rails signal capability of the MAX20336/MAX20337 allows signals below ground and above V_{CCEN} to pass without distortion.

Analog Signal Levels

The MAX20336/MAX20337 are bidirectional, allowing NO_, NC and COM_ to be configured as either inputs or outputs. The topology of the switches allows the signal to drop below ground without the need of an external negative voltage supply.

Digital Control Input

The MAX20336 combines enable and supply pins. The switches are on when the device is powered. Connect V_{CCEN} to GND to turn off the switches.

The MAX20337 has a control bit (CB). COM is connected to NC when CB is low, and connected to NO when CB is high. Connect V_{CCEN} to GND to turn off the switches.

Applications Information

Extended ESD Protection

ESD-protection structures are incorporated on all pins to protect against electrostatic discharges up to $\pm 2\text{kV}$ (HBM) encountered during handling and assembly. COM_, NC and NO_ are further protected against ESD up to $\pm 30\text{kV}$ (HBM), $\pm 7\text{kV}$ (Air-Gap Discharge), and $\pm 8\text{kV}$ (Contact Discharge) without damage. The ESD structures withstand high ESD both in normal operation and when the device is powered down. After an ESD event, the devices continue to function without latchup.

ESD Test Conditions

ESD performance depends on a variety of conditions. Contact Maxim for a reliability report that documents test methodology and test results.

Human Body Model

Figure 5 shows the Human Body Model. Figure 6 shows the current waveform it generates when discharged into a low impedance. This model consists of a 100pF capacitor charged to the ESD voltage of interest that is then discharged into the device through a $1.5\text{k}\Omega$ resistor.

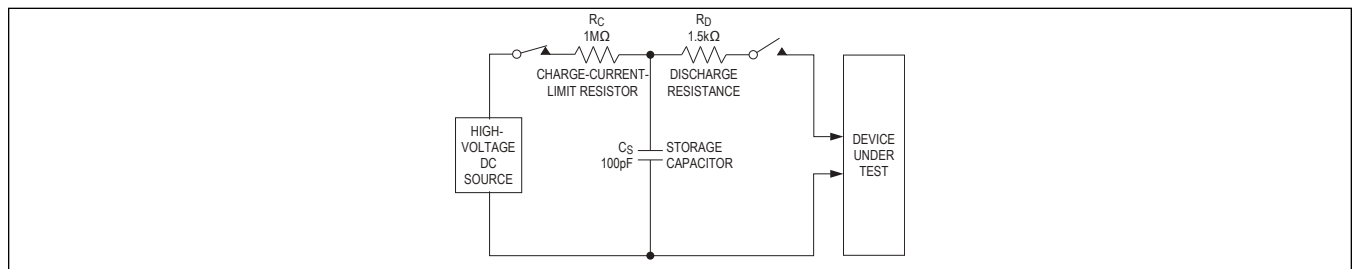


Figure 5. Human Body ESD Test Model

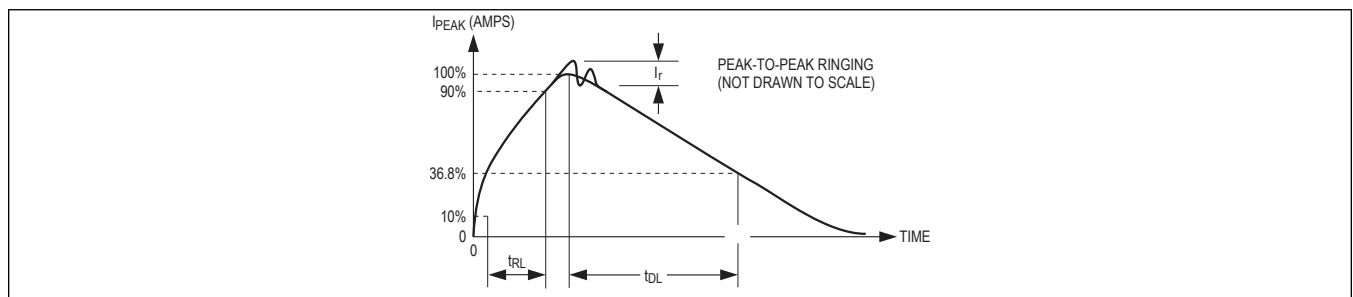


Figure 6. Human Body Current Waveform

IEC 61000-4-2

The IEC 61000-4-2 standard covers ESD testing and performance of finished equipment. It does not specifically refer to integrated circuits. The major difference between tests done using the HBM and IEC 61000-4-2 is higher peak current in IEC 61000-4-2, because series resistance is lower in the IEC 61000-4-2 model. Hence, the ESD withstand voltage measured to IEC 61000-4-2 is generally lower than that measured using the HBM. Figure 7 shows the IEC 61000-4-2 model and Figure 8 shows the current waveform for the $\pm 8\text{kV}$, IEC 61000-4-2, Level 4, ESD Contact-Discharge Method.

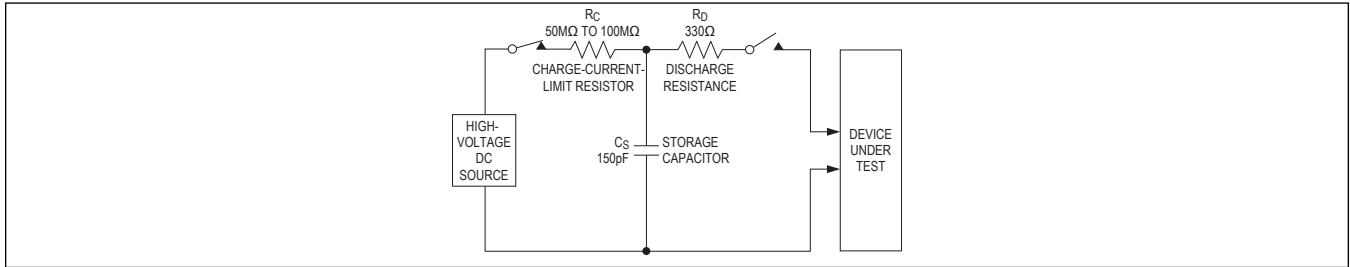


Figure 7. IEC 61000-4-2 ESD Test Model

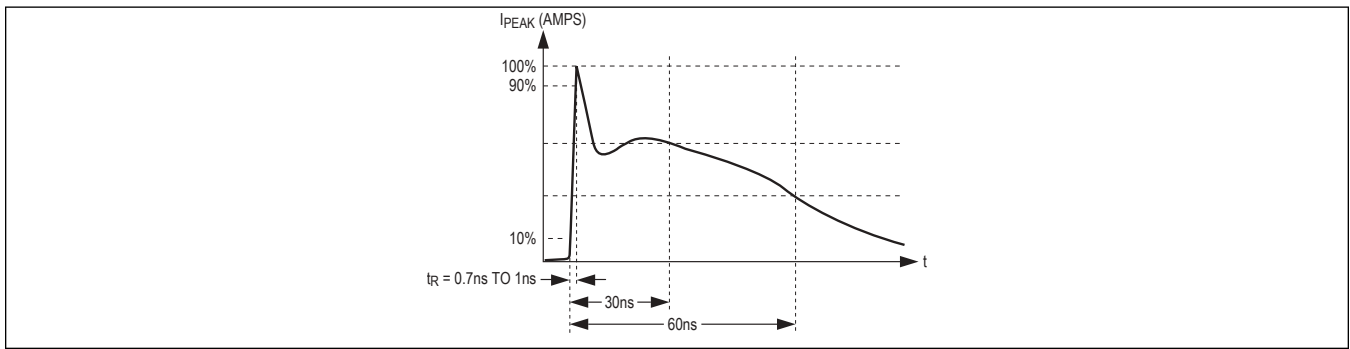
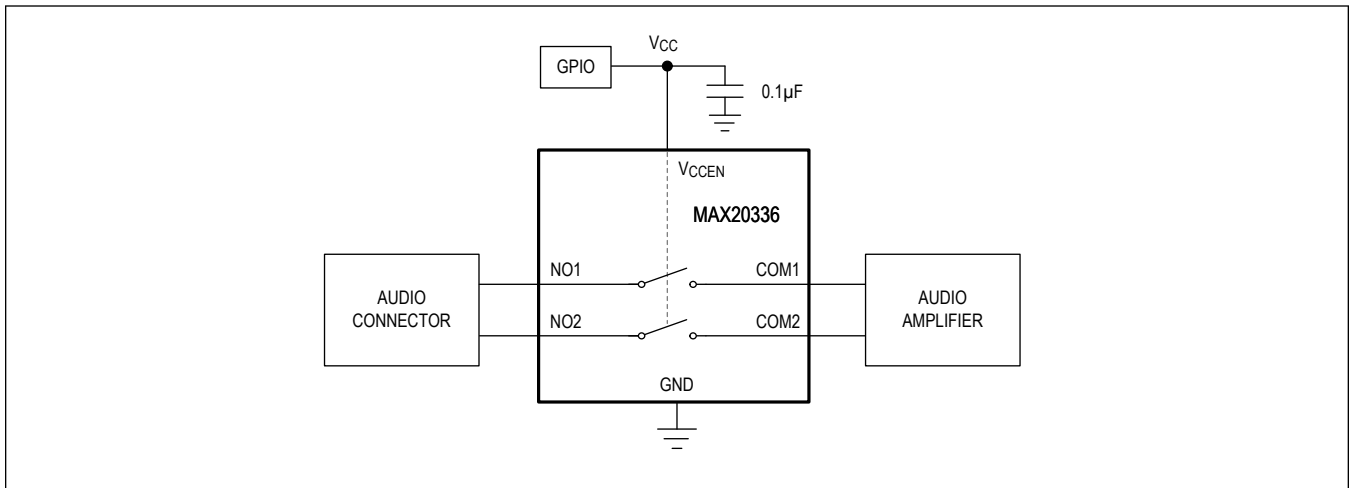


Figure 8. IEC 61000-4-2 ESD Generator Current Waveform

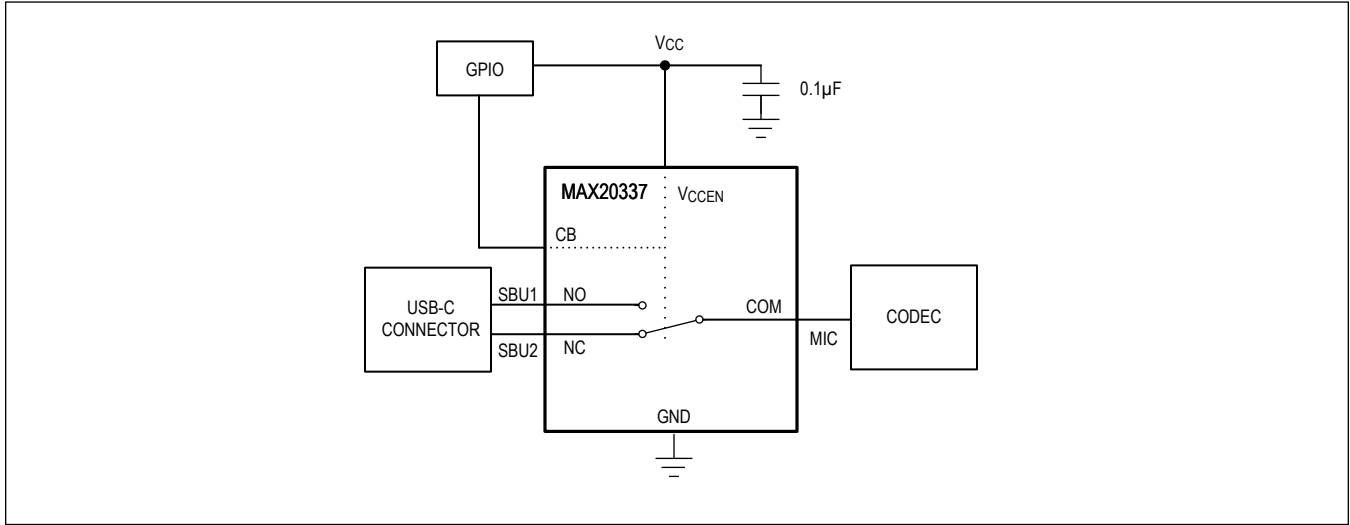
Typical Application Circuit

MAX20336



Typical Application Circuit (continued)

MAX20337



Ordering Information

PART NUMBER	PIN-PACKAGE	TOP MARKING	PACKAGE CODE	PACKAGE OUTLINE DRAWING
MAX20336ENT+	6 WLP	AM	N60K1+1	21-100308
MAX20336ENT+T	6 WLP	AM	N60K1+1	21-100308
MAX20336AEFT+	6 FC2QFN	AAA	F61A1F+1	21-100313
MAX20336AEFT+T	6 FC2QFN	AAA	F61A1F+1	21-100313
MAX20337ENT+	6 WLP	AL	N60K1+2	21-100311
MAX20337ENT+T	6 WLP	AL	N60K1+2	21-100311
MAX20337AEFT+	6 FC2QFN	AAB	F61A1F+1	21-100313
MAX20337AEFT+T	6 FC2QFN	AAB	F61A1F+1	21-100313

+ Denotes lead(Pb)-free/RoHS compliance.

T = Tape-and-reel.

Revision History

REVISION NUMBER	REVISION DATE	DESCRIPTION	PAGES CHANGED
0	2/19	Initial release	—
1	1/21	Updated the title, <i>General Description, Benefits and Features, Absolute Maximum Ratings, Package Information, Electrical Characteristics, Pin Configuration, Pin Description, Detailed Description, Analog Signal Levels, Digital Control Input, and Extended ESD Protection</i> ; added new Figure 2 and Figure 3, renumbered subsequent figures added new MAX20337 <i>Typical Application Circuit</i> ; replaced all TOCs and added new TOCs; added MAX20337ENT+, MAX20337ENT+T, MAX20337AEFT+ and MAX20337EFT+T, and removed future product designation from MAX20336AEFT+ and MAX20336AEFT+T from the <i>Ordering Information</i> table	1–11

For pricing, delivery, and ordering information, please visit Maxim Integrated's online storefront at <https://www.maximintegrated.com/en/storefront/storefront.html>.

Maxim Integrated cannot assume responsibility for use of any circuitry other than circuitry entirely embodied in a Maxim Integrated product. No circuit patent licenses are implied. Maxim Integrated reserves the right to change the circuitry and specifications without notice at any time. The parametric values (min and max limits) shown in the Electrical Characteristics table are guaranteed. Other parametric values quoted in this data sheet are provided for guidance.