

# Illuminated Pushbutton Switches

## Single Pole, Snap-In



### Features

- Snap-In Mounting, Easy to Install into Panel



NTE Type No.	Circuitry	Action		Actuator		Lamp Voltage	Circuit	Diag No.
				Material	Color			
54-701-A	SPST	OFF	ON	PC	Amber	3V	B	S125
54-701-R	SPST	OFF	ON	PC	Red	3V	B	S125
54-702-A	SPST	OFF	(ON)	PC	Amber	3V	A	S125
54-702-R	SPST	OFF	(ON)	PC	Red	3V	A	S125
54-703-A	SPST	OFF	(ON)	PC	Amber	12V	C	S125
54-703-R	SPST	OFF	(ON)	PC	Red	12V	C	S125
54-704-A	SPST	OFF	ON	PC	Amber	12V	D	S125
54-704-R	SPST	OFF	ON	PC	Red	12V	D	S125

SPECIAL NOTE: ( ) = Momentary Function

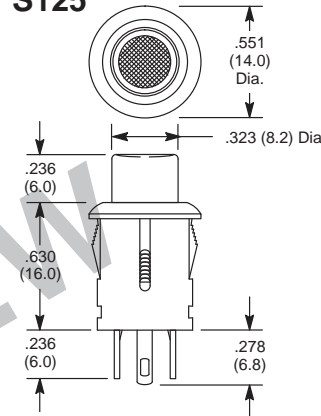
## Single Pole



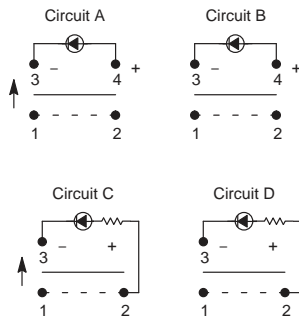
NTE Type No.	Circuitry	Action		Actuator		Lamp Voltage	Circuit	Diag No.
				Material	Color			
54-707	SPST	OFF	ON	PC	Red	12V	A	S126
54-708	SPST	OFF	(ON)	PC	Red	12V	B	S126

SPECIAL NOTE: ( ) = Momentary Function

### S125



### Wiring Diagrams



## Specifications

**Current Rating:** 3A 125VAC; 1.5A 250VAC  
6A 14VDC; 3A 28VDC

**LED Rating:**  $V_F = 2.0V$ ,  $I_F = 20mA$  (Amber)  
 $V_F = 1.7V$ ,  $I_F = 20mA$  (Red)

**Insulation Resistance:** 100 Megohms (min.) at 500VDC

**Dielectric Strength:** 1000VAC RMS (min.), 1 minute

**Temperature Rating:** +32° to +149°F (0° to +65°C)

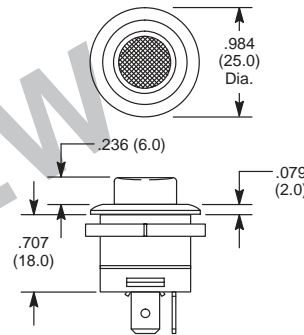
**Electrical Life:** 6000 cycles

**Mechanical Life:** 100,000 cycles

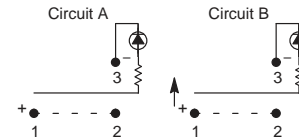
**Terminal Type:** Solder Lug

**Mounting Hole:** .476 (12.1)

### S126



### Wiring Diagrams



## Specifications

**Current Rating:** 10A 14VDC; 5A 24VDC

**LED Rating:** 12V LED (DC)

**Insulation Resistance:** 100 Megohms (min.) at 500VDC

**Dielectric Strength:** 1500VAC RMS (min.), 1 minute

**Temperature Rating:** -13° to +185°F (-25° to +85°C)

**Electrical Life:** 25,000 cycles

**Mechanical Life:** 100,000 cycles

**Terminal Type:** .250" Quick Connect

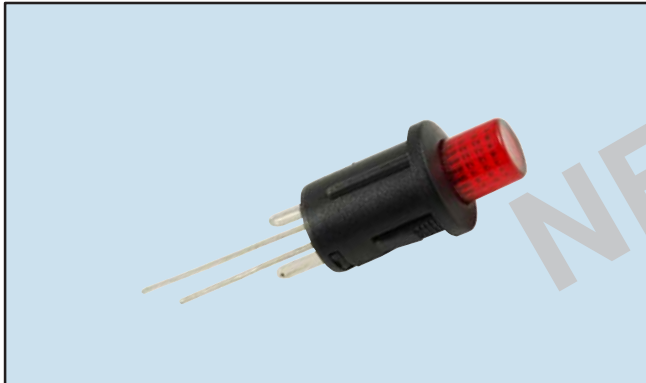
**Mounting Hole:** .866 (22.0)

# Illuminated Pushbutton Switches

## Single Pole, Snap-In

### Features

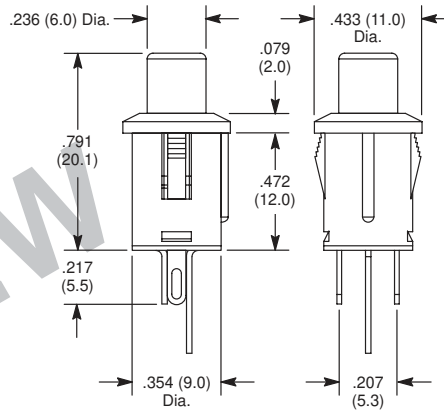
- Snap-In Mounting, Easy to Install into Panel



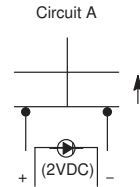
NTE Type No.	Circuitry	Action		Actuator		Lamp Voltage	Circuit	Diag No.
		OFF	(ON)	Material	Color			
54-747-2	SPST	OFF	(ON)	PC	Red	2VDC	A	S127

SPECIAL NOTE: ( ) = Momentary Function

### S127



### Wiring Diagrams



## Specifications

Current Rating: 1A 125VAC; 0.5A 250VAC  
 LED Rating: 2V LED (DC)  
 Insulation Resistance: 100 Megohms (min.) at 500VDC  
 Dielectric Strength: 1000VAC, 1 minute  
 Temperature Rating: -4° to +185°F (-20° to +85°C)  
 Electrical Life: 6000 cycles  
 Mechanical Life: 100,000 cycles  
 Terminal Type: Solder Lug  
 Mounting Hole: .366 (9.3)