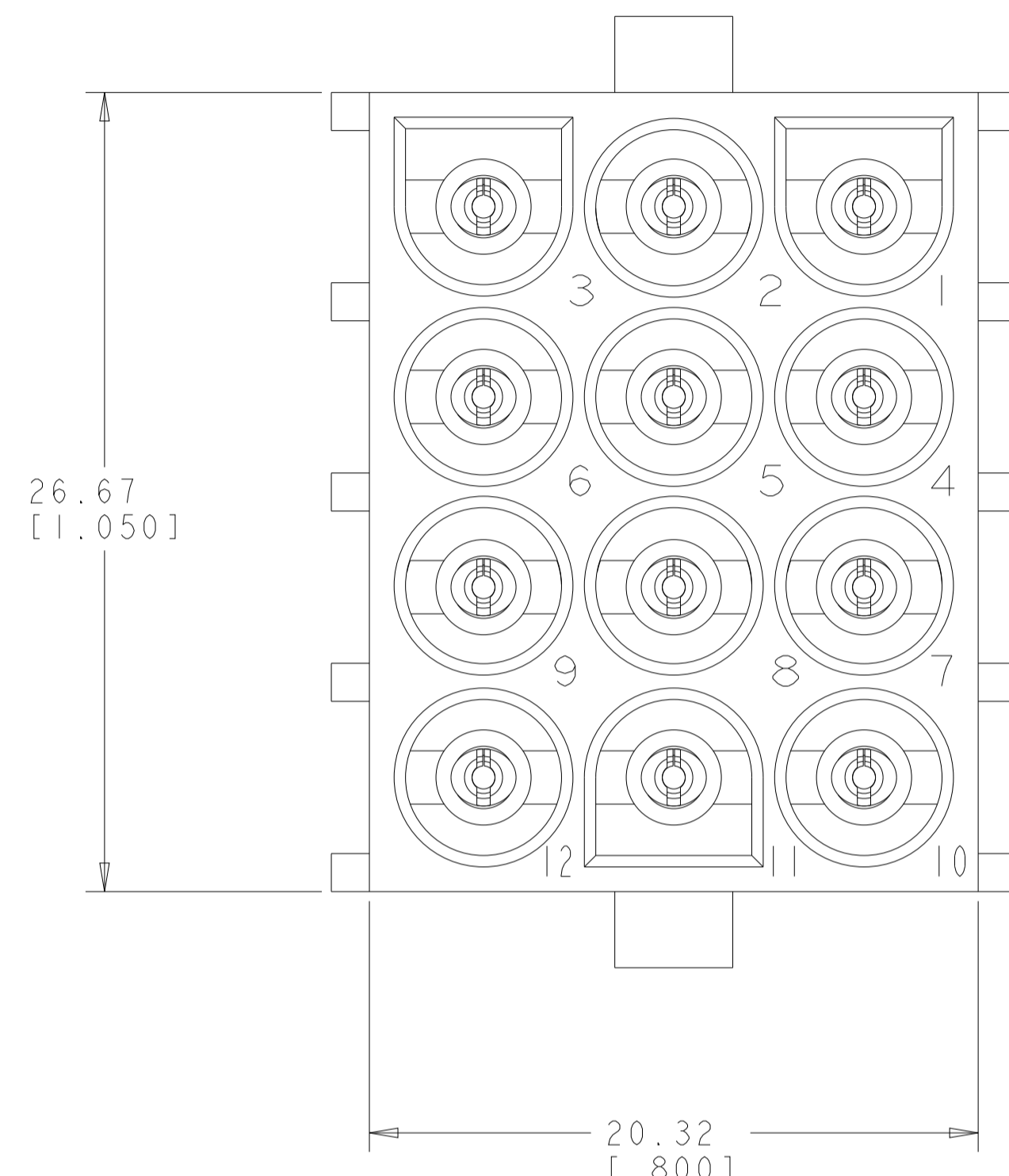
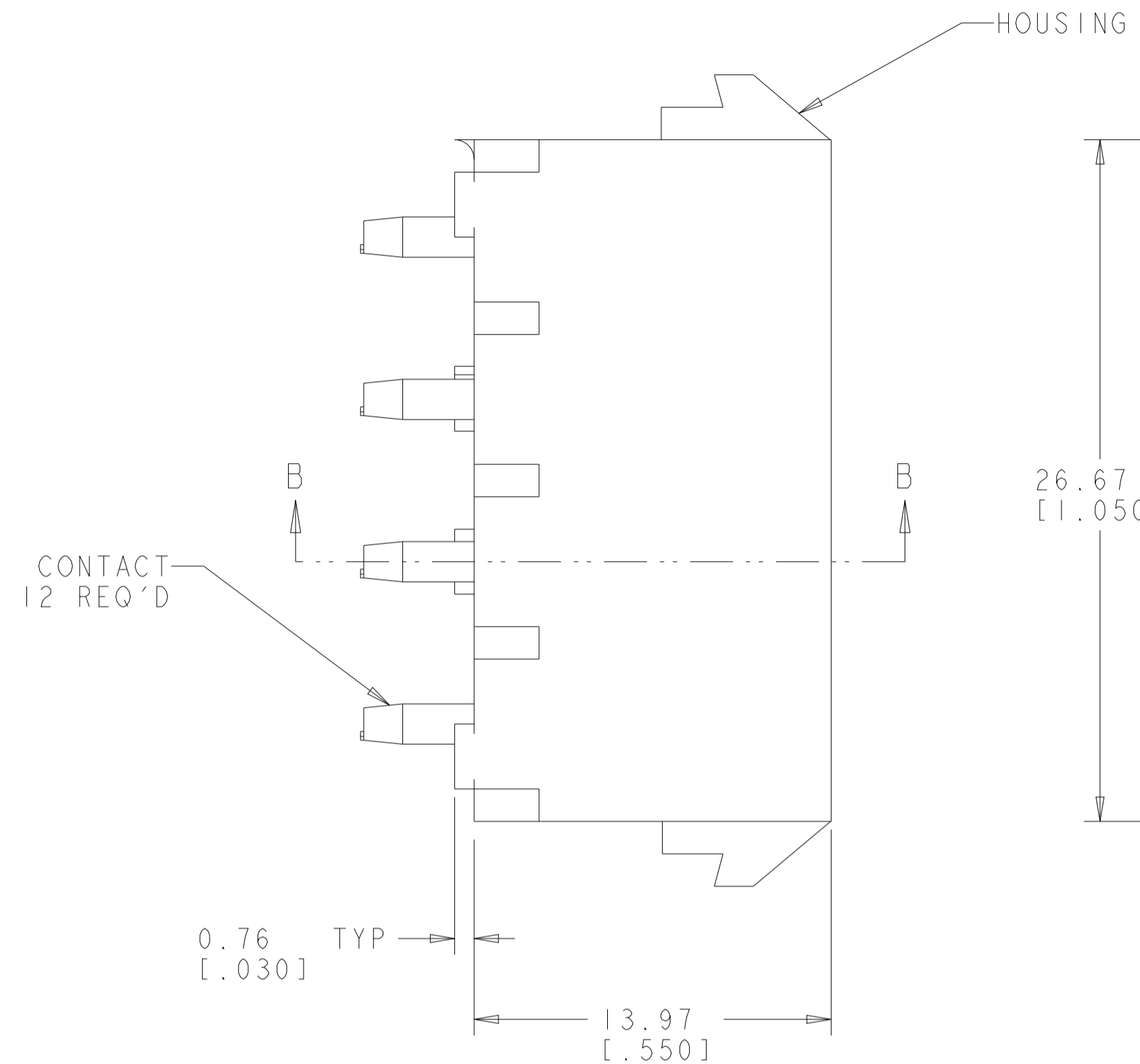
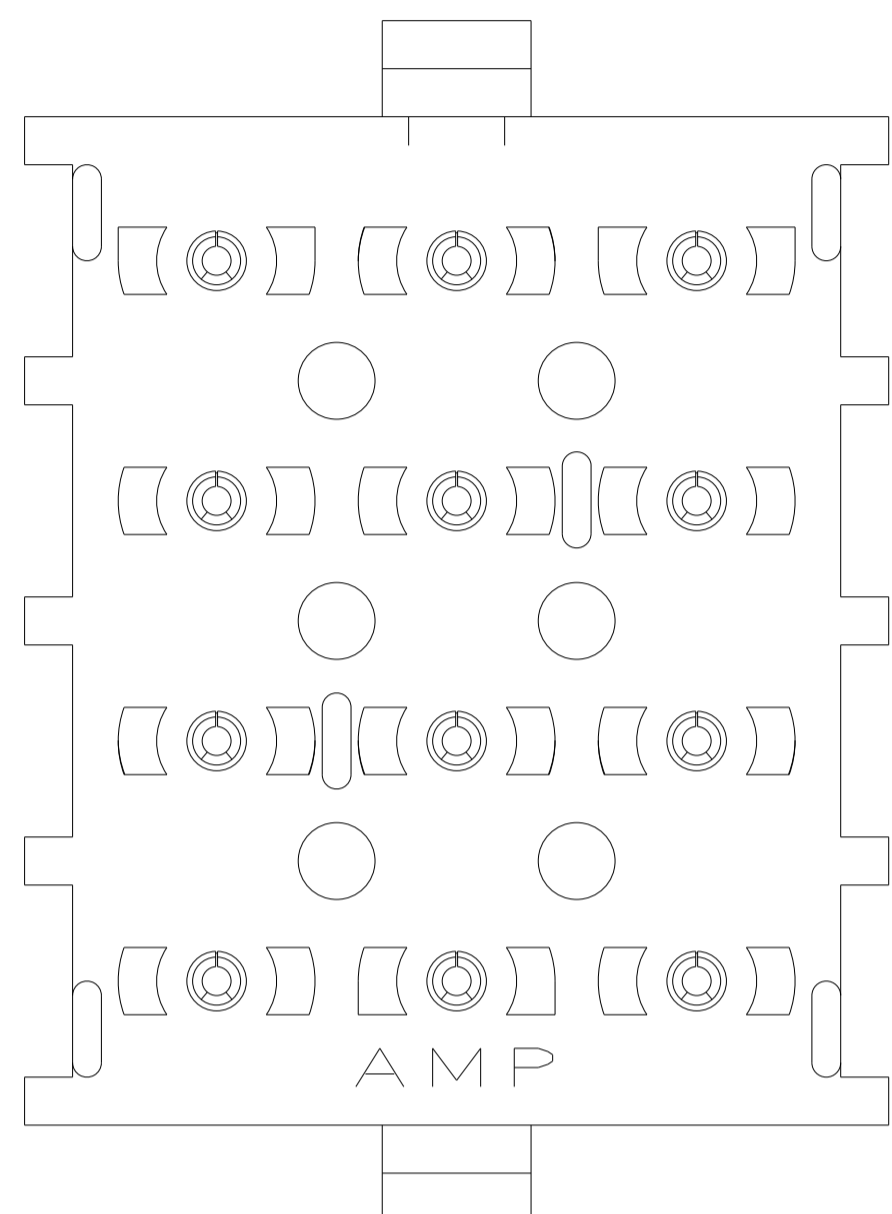
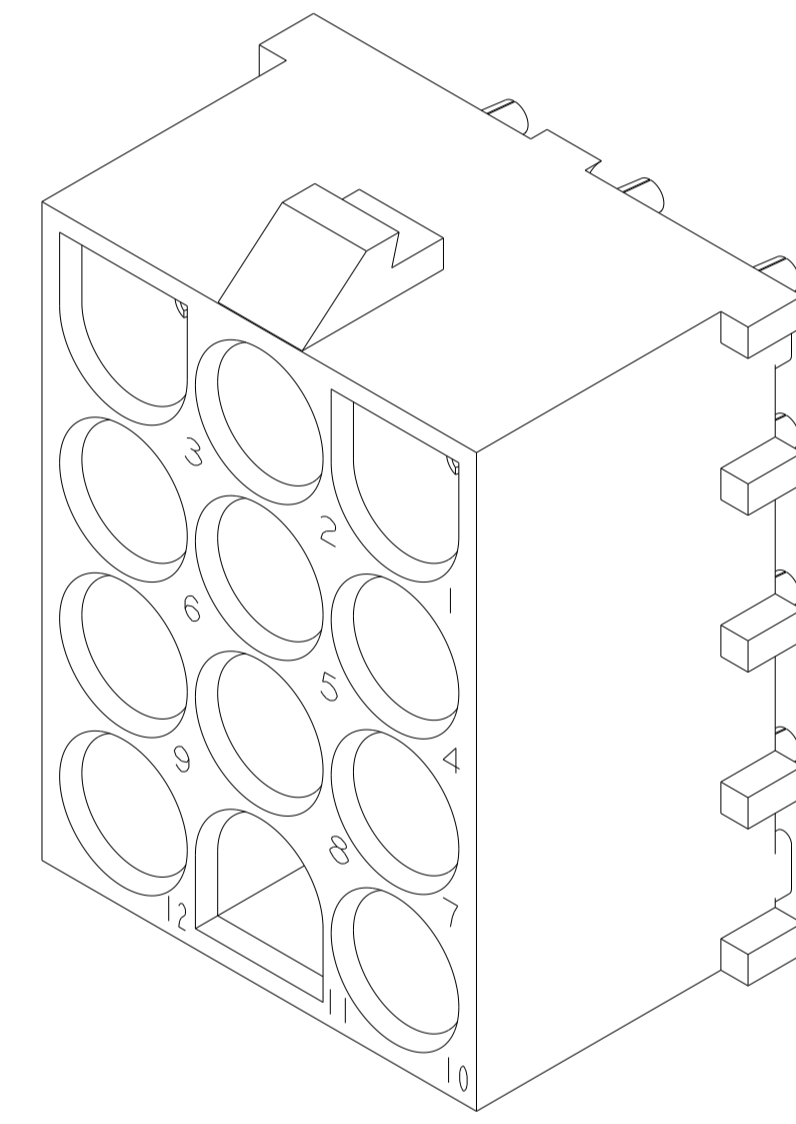


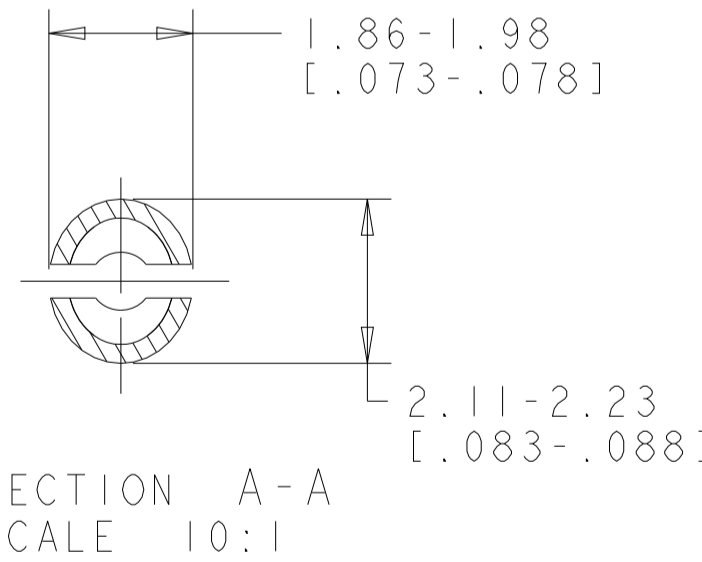
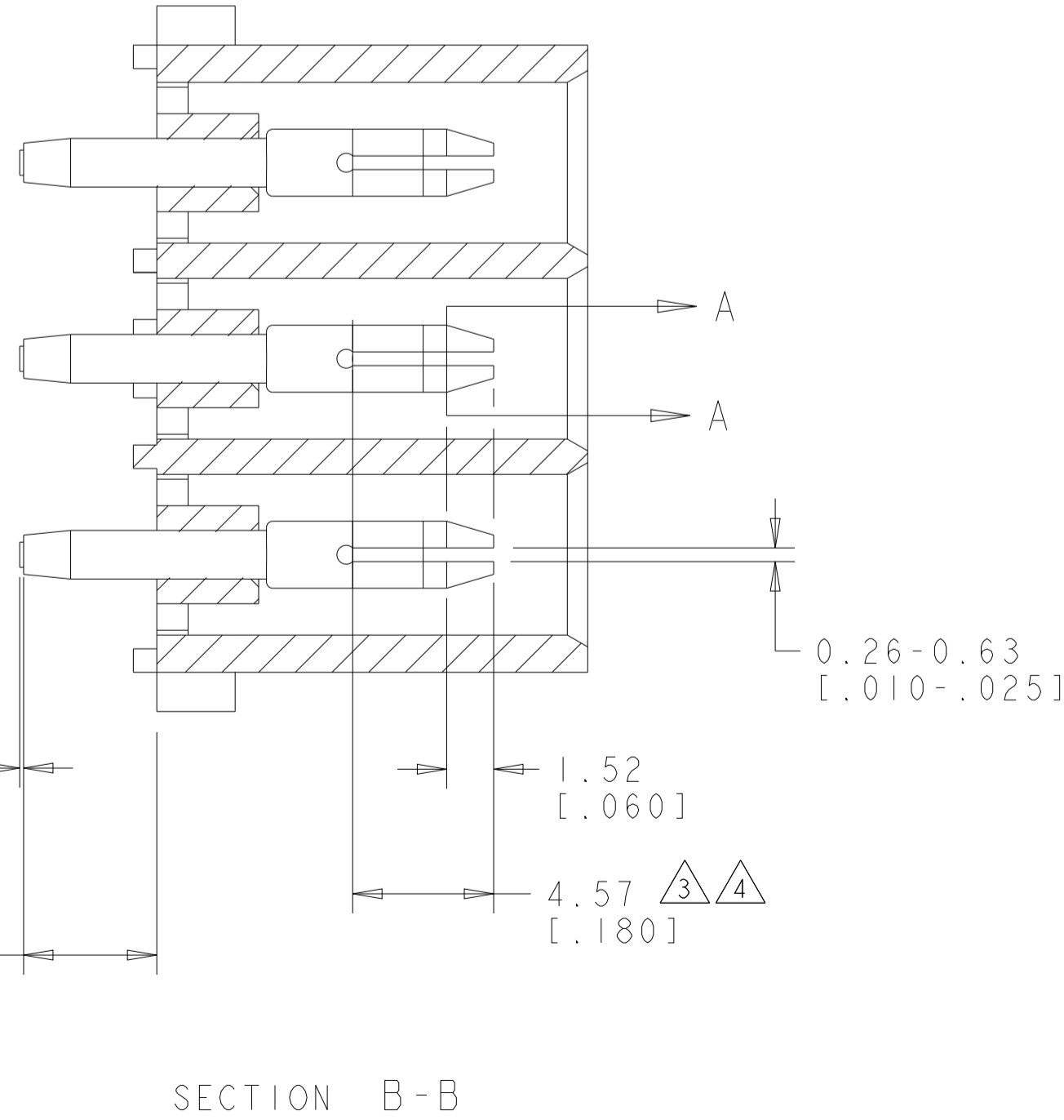
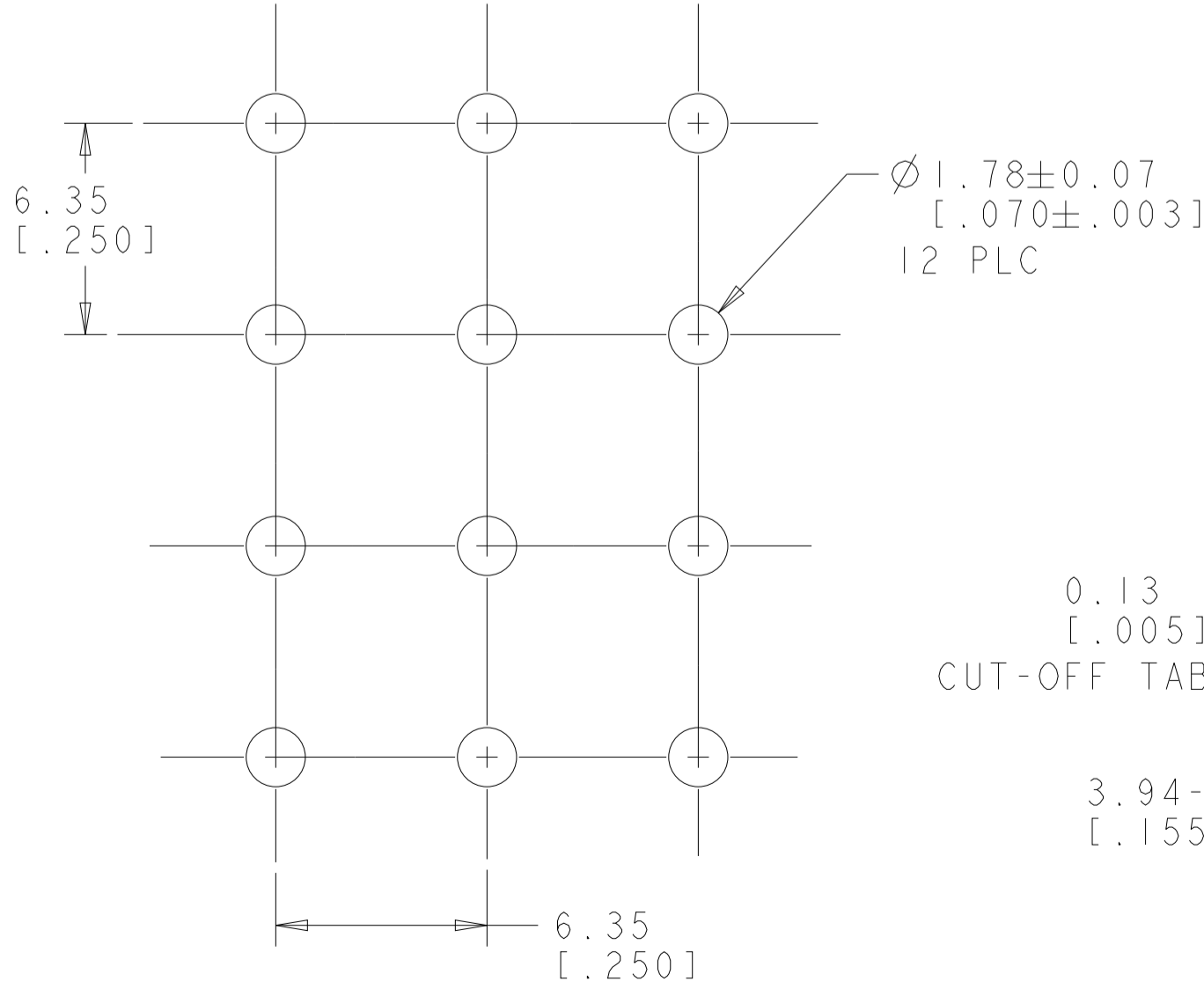
LOC		DIST		REVISIONS			
P	LTN	DESCRIPTION	DATE	DWN	APVD		
W2		REVISED PER ECR-12-011660	24JAN2013	KH	TM		
W3		REVISED PER ECR-18-006149	24APR2018	MM	DZ		
W4		REVISED PER ECR-21-119230	08NOV2021	SS	VS		



- MATES WITH HOUSING 480708.
- PARTS COMPLY TO AMP SOLDERABILITY SPECIFICATION 109-11-3.
- CONTACT IS PLATED OVERALL WITH 0.00127 [.000050] NICKEL, THEN 0.00076 [.000030] GOLD OVER CONTACT LENGTH INDICATED AND TIN LEAD ON SOLDER TAIL END.
- CONTACT IS PLATED OVERALL WITH 0.00127 [.000050] NICKEL, THEN 0.00076 [.000030] GOLD OVER CONTACT LENGTH INDICATED AND MATTE TIN ON SOLDER TAIL END.
- DIMENSIONS IN BRACKETS ARE IN INCHES.
- SUPERSEDED BY 350433-4
- DIMENSIONS SHOWN REPRESENT PRODUCT IN DRY CONDITION. ADDITIONAL 2% GROWTH DUE TO END USE LOCATION MOISTURE ABSORPTION MAY OCCUR AND SHOULD BE ACCOUNTED FOR.



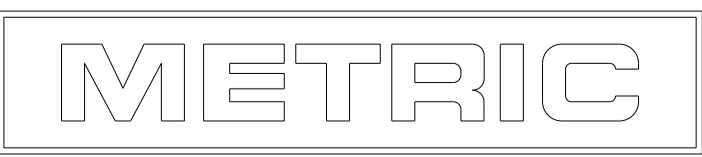
3 DIMENSIONAL MODEL
SCALE 4:1



SECTION A-A
SCALE 10:1

PIN CONTACT MATERIAL AND FINISH	HOUSING MATERIAL AND COLOR	PART NUMBER
PHOSPOR BRONZE, PRE-TIN	NYLON, UL94V-0, NATURAL, GWT	350433-5
PHOSPOR BRONZE, GOLD Δ	NYLON, UL94V-2, NATURAL	350433-4
Δ PHOSPOR BRONZE, GOLD Δ	NYLON, UL94V-2, NATURAL	350433-2
PHOSPOR BRONZE, PRE-TIN	NYLON, UL94V-2, NATURAL	350433-1

RECOMMENDED MOUNTING HOLE PATTERN FOR 1.57 [.062] THICK P.C. BOARD HOLE THAT CORRESPONDS TO REMOVED CONTACT CAN BE OMITTED



THIS DRAWING IS A CONTROLLED DOCUMENT.

DIMENSIONS: mm [INCHES]	TOLERANCES UNLESS OTHERWISE SPECIFIED:	DWN: K. WHITAKER 04MAY2005	CHK: S. RIDGILL 04MAY2005	APVD: S. RIDGILL 04MAY2005	NAME: PIN HEADER ASSEMBLY, 12 CIRCUIT, UNIVERSAL MATE-N-LOK(TM)
0 PLC ±	±	SIZE: A1	CAGE CODE: 00779	DRAWING NO: 350433	RESTRICTED TO: REV W4
1 PLC ±	±0.131(.005)	SCALE: 5:1	SHEET: 1	OF: 1	
2 PLC ±	±				
3 PLC ±	±				
4 PLC ±	±				
ANGLES: 40° 30'					
MATERIAL: SEE TABLE	FINISH: SEE TABLE				

CUSTOMER DRAWING