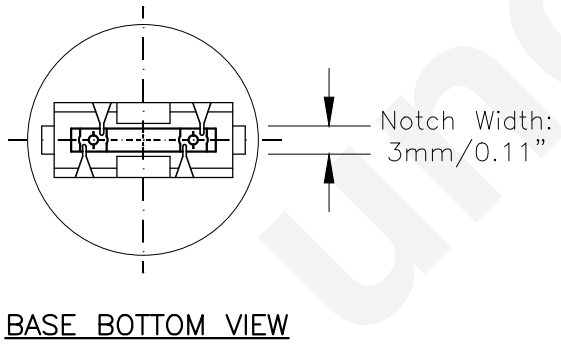
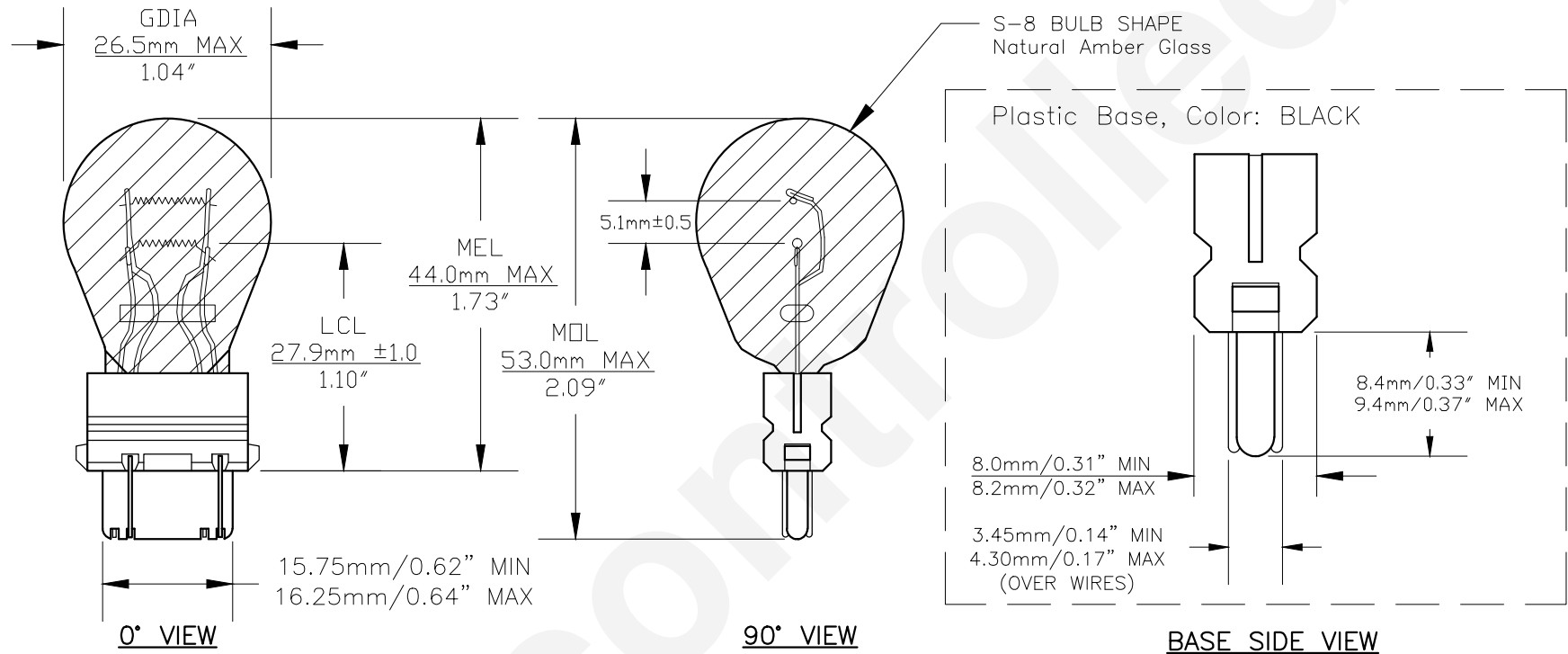




PART NO.	BASE TYPE	DESIGN VOLTS	DESIGN AMPS	MSCD	FILAMENT TYPE	AVERAGE LIFE HOURS	REVISIONS			
							REV #	DESCRIPTION	DATE	APPROVED
3157NALL	D.F. Plastic Wedge W2.5X16q	12.8V 14.0V	2.10±5% 0.59±8%	24±30% 2.2±30%	C-6 C-6	2000 10000	1	ISSUED	07/19/2001	S.L.
							2	ADDITIONAL DIMENSIONS	10/30/2008	D.C.
							3	ADDED FILAMENT DISTANCE DIMENSIONS	10/04/2018	R.M.



Note: Made according to SAE specifications



UNLESS OTHERWISE SPECIFIED: DIMENSIONS ARE IN INCHES TOLERANCES		CEC INDUSTRIES LTD	
DECIMALS .XX ± .05	ANGULAR ± 0.5°	599 BOND STREET	LINCOLNSHIRE, IL 60069
.XXX ± .010	FRACTIONAL ± 1/64	TITLE LIGHT BULB NO. 3157NALL	
DRAWN SIDNEY LIU	DATE 07/19/2001	SIZE A	FSCM NO. DWG NO. 3157NALL
CHECKED			REV 3
DESIGN	SCALE	PLOT SCALE	SHEET 1 OF 1
MATERIAL	FILE 3157NALL.pdf	DRAWING NOT TO SCALE	