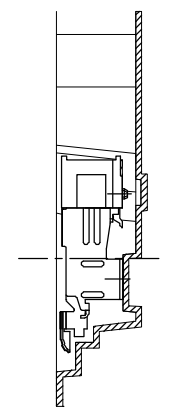
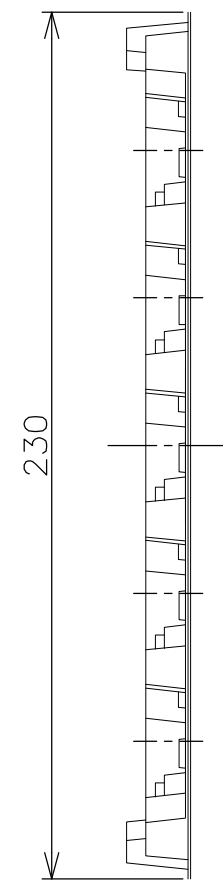
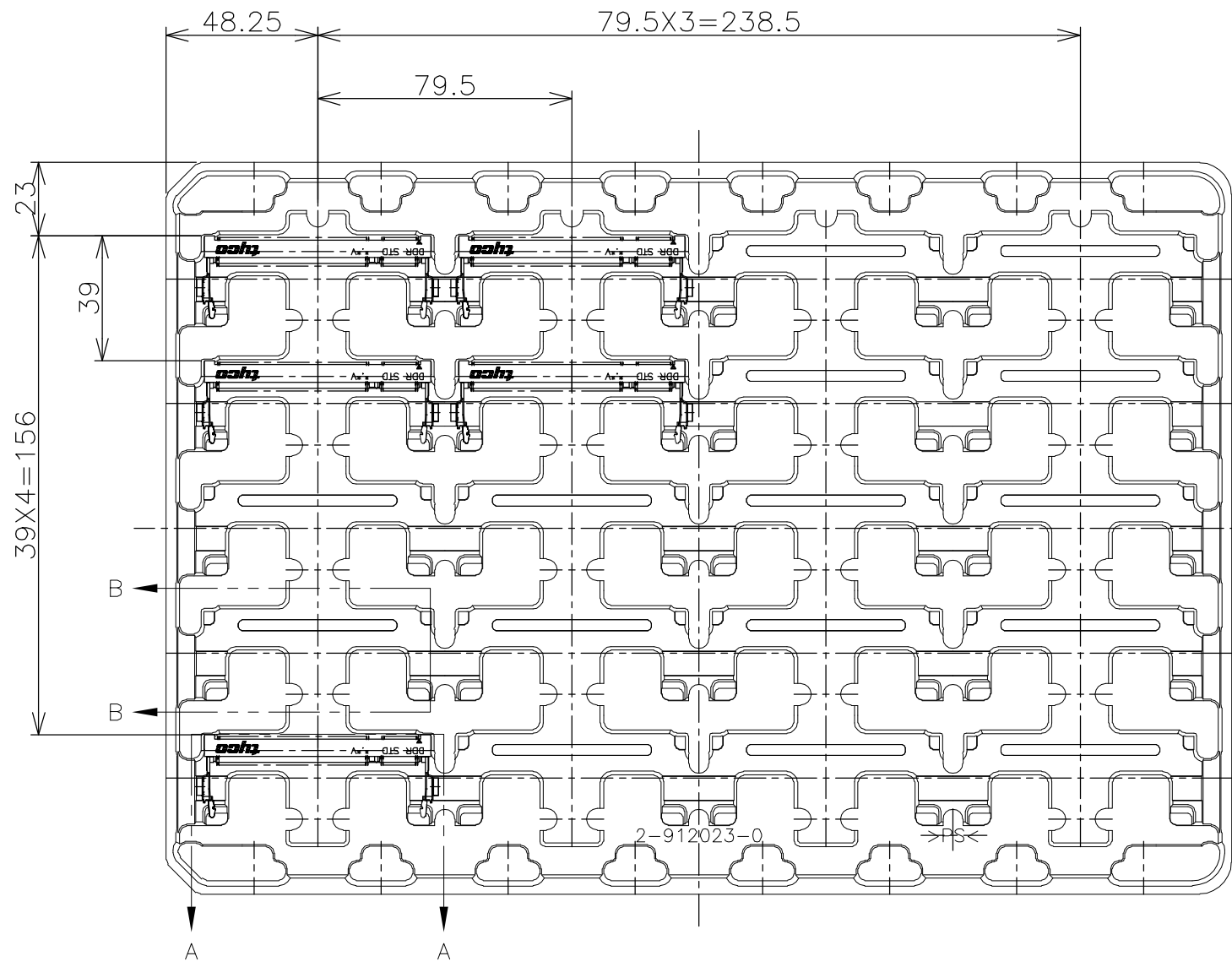
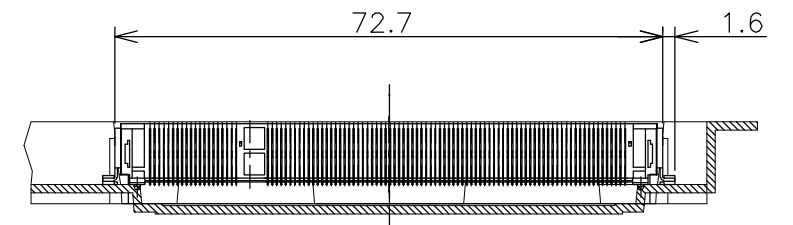


THIS DRAWING IS UNPUBLISHED. RELEASED FOR PUBLICATION NOV ,2002.  
 © COPYRIGHT 2002 BY TYCO ELECTRONICS CORPORATION. ALL RIGHTS RESERVED.

LOC	DIST	REVISIONS					
		P	LTR	DESCRIPTION	DATE	DWN	APVD
J	-	B		REVISED (ECR-06-024642)	17OCT06	S.L	S.Y

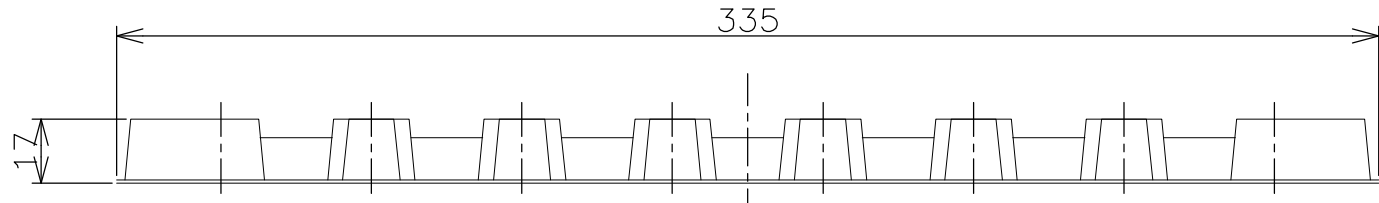


B-B  
SCALE 1:1



A-A  
SCALE 1:1  
(180DEG. ROTATE)

- (APPLIED TO SHEET 1)  
 1. THE DIRECTION OF EACH CONNECTOR ON A TRAY IS REFERRED TO THIS DRAWING.  
 2. GENERAL TOLERANCE: ±0.5

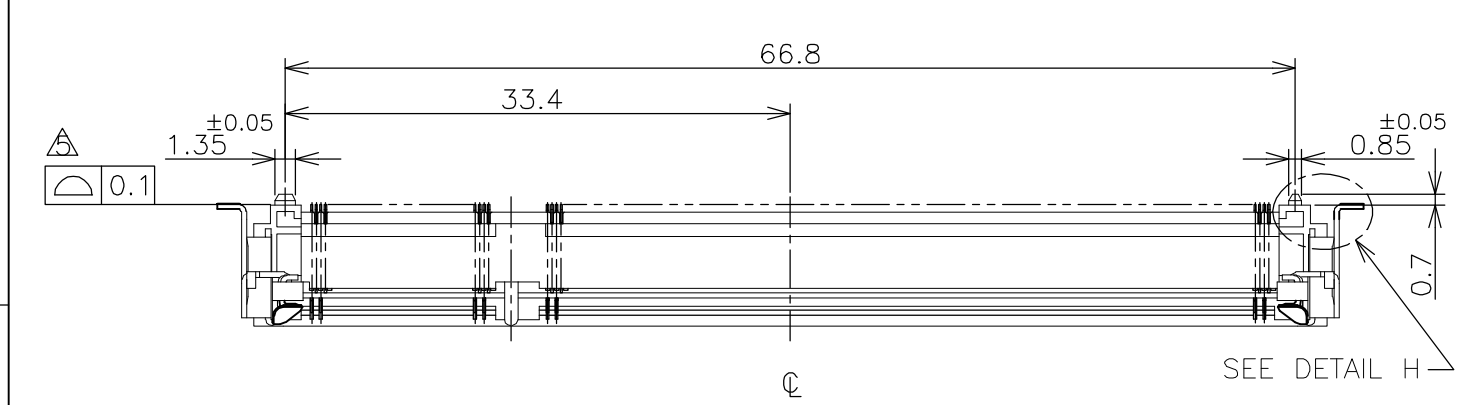


1.8V (DDR2)	20EA/TRAY	1747407-4
2.5V (DDR1)	20EA/TRAY	1747407-1
POWER SUPPLY(TYPE)	QTY	P/N

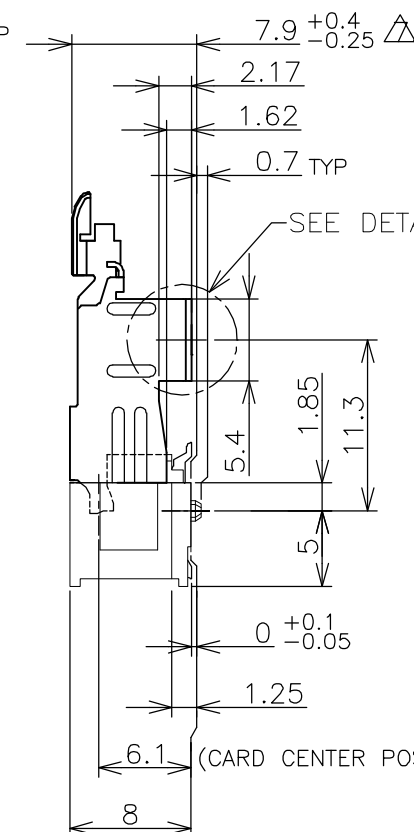
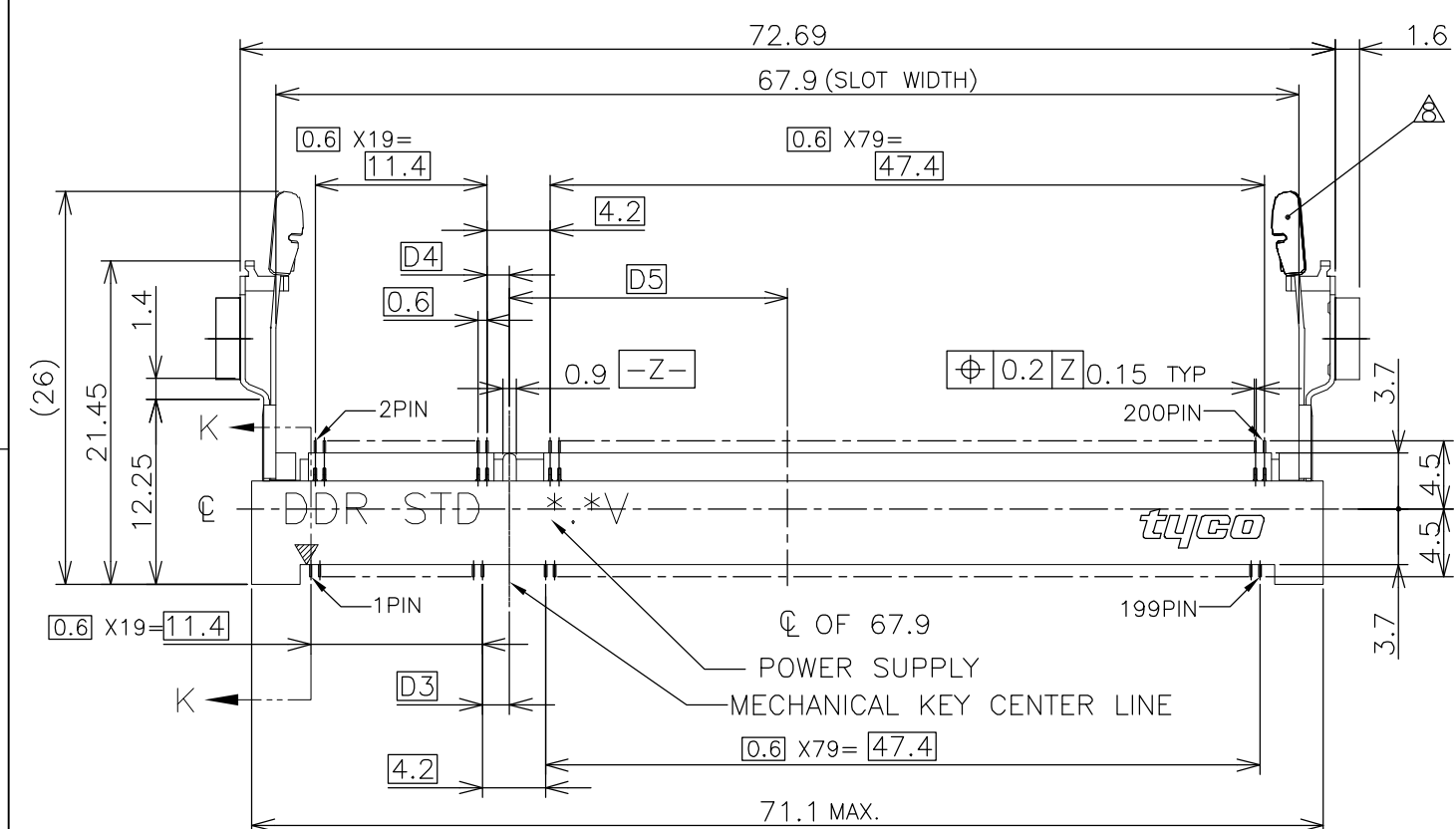
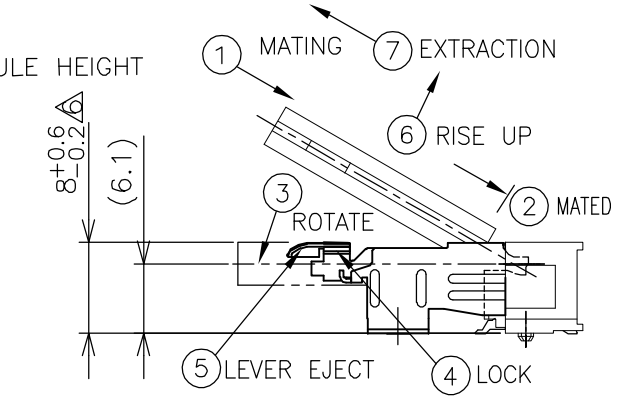
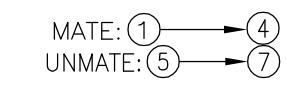
THIS DRAWING IS A CONTROLLED DOCUMENT.		DWN	LEO ZHOU	18JAN05	 Tyco Electronics AMP K.K. Kawasaki, Japan						
DIMENSIONS: MM		CHK	T.KAWAMAE	18JAN05							
TOLERANCES UNLESS OTHERWISE SPECIFIED:		APVD	I.ENOMOTO	18JAN05							
0 PLC ± 1 PLC ± 2 PLC ± 3 PLC ± 4 PLC ± ANGLES ± MATERIAL FINISH		PRODUCT SPEC	108-5701		NAME	DDR1 & DDR2 SODIMM SOCKET 0.6mm PITCH 200POS 8mm HEIGHT STANDARD TYPE (LATCH DIRECT SOLDERING TYPE)					
GENERAL TOLERANCE 0~10 : ±0.2 10~30 : ±0.25 30~100 : ±0.3 ANGLES : ±3'		APPLICATION SPEC	WEIGHT		SIZE	A3	CAGE CODE	00779	DRAWING NO	1747407	RESTRICTED TO
		CUSTOMER DRAWING		SCALE	1:2	SHEET	1	OF	4	REV	B

THIS DRAWING IS UNPUBLISHED. RELEASED FOR PUBLICATION NOV. 2002.  
 © COPYRIGHT 2002 BY TYCO ELECTRONICS CORPORATION. ALL RIGHTS RESERVED.

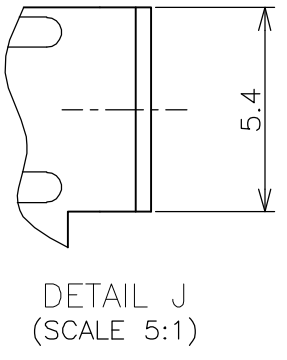
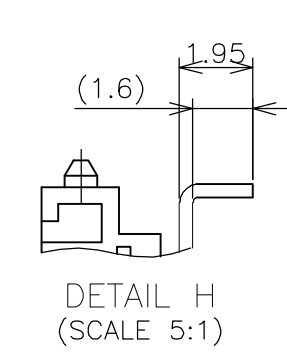
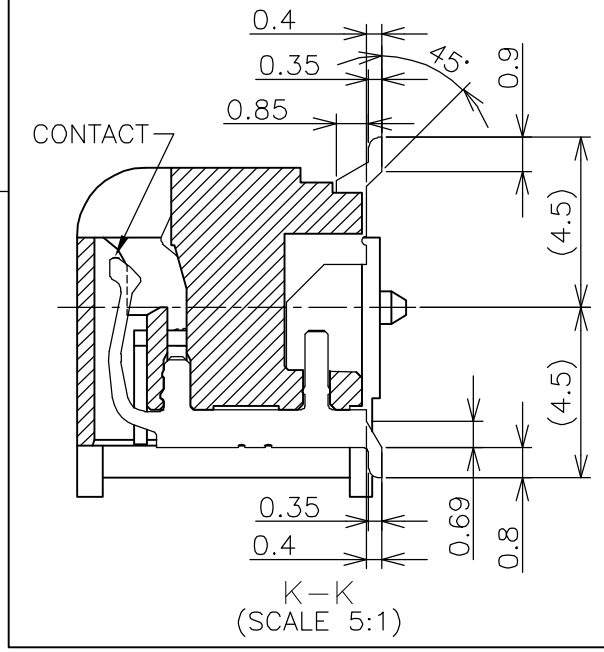
LOC	DIST	REVISIONS					
		P	LTR	DESCRIPTION	DATE	DWN	APVD
J	-	-	-	SEE SHEET 1	-	-	-



HOW TO MATE AND UNMATE



- (APPLIED TO SHEET 2-3)
- MATERIAL ; HOUSING:HIGH TEMPERATURE THERMO PLASTIC UL94V-0, COLOR : BLACK  
 CONTACT : COPPER ALLOY  
 LOCK LEVER : STAINLESS STEEL
  - FINISH ; CONTACT : Au PL. IN CONTACT AREA AND SOLDERING AREA ON NICKEL UNDER PL.  
 SOLDERING AREA(LOCK LEVER) : TIN PL.
- MECHANICAL KEY POSITION OF CONNECTOR SEE TABLE.
  - TOLERANCES NON-CUMMURATIVE.
  - COPLANARITY: 0.1MAX
  - THE FLOATING VALUE BY SOLDERING IS NOT INCLUDED.
  - NOT MATING CONDITION.
  - THIS PART IS NOT THE TYPE WHICH PREVENTS HALF MATING.
  - IF THE MODULE DOESN'T INSERT AND LOCK IN THE LATCH SMOOTHLY, OPEN WIDE BOTH LATCHES BY MANUAL. AND THE MODULE MUST BE INSERTED AND LOCKED IN THE LATCH.

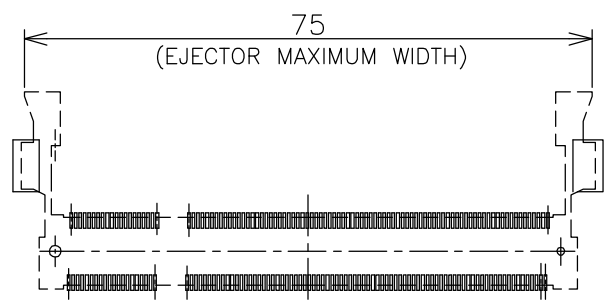


AVAILABLE	1.8V (DDR2)	17.55	2.4	2.7	200	1747407-4
AVAILABLE	2.5V (DDR1)	18.45	1.5	1.8	200	1747407-1
TOOLING STATUS	POWER SUPPLY (TYPE)	D5	D4	D3	POS	PART NO.

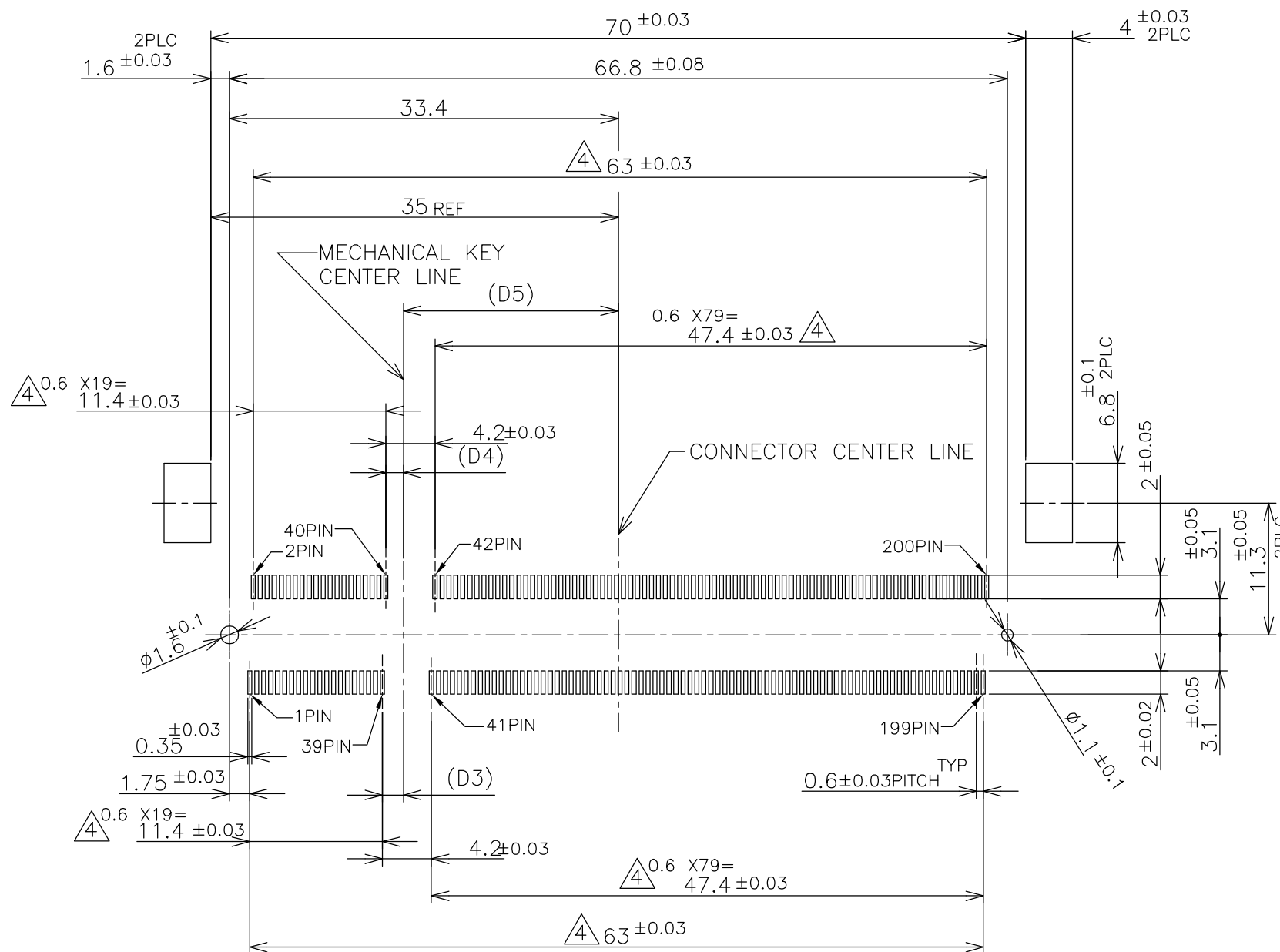
THIS DRAWING IS A CONTROLLED DOCUMENT.

DIMENSIONS: MM	TOLERANCES UNLESS OTHERWISE SPECIFIED:	DWN	Tyco Electronics AMP K.K. Kawasaki, Japan
0 PLC ±	1 PLC ±	CHK	
2 PLC ±	3 PLC ±	APVD	
4 PLC ±	ANGLES ±	APVD	
MATERIAL	FINISH	PRODUCT SPEC	NAME
		APPLICATION SPEC	DDR1 & DDR2 SODIMM SOCKET 0.6mm PITCH 200POS 8mm HEIGHT STANDARD TYPE (LATCH DIRECT SOLDERING TYPE)
		WEIGHT	SIZE CAGE CODE DRAWING NO RESTRICTED TO
			A3 00779 C-1747407
CUSTOMER DRAWING			SCALE 2:1 SHEET 2 OF 4 REV B

LOC	DIST	REVISIONS			
P	LTR	DESCRIPTION	DATE	DWN	APVD
J	-	SEE SHEET 1	-	-	-



REAL SIZE (SCALE 1:1)

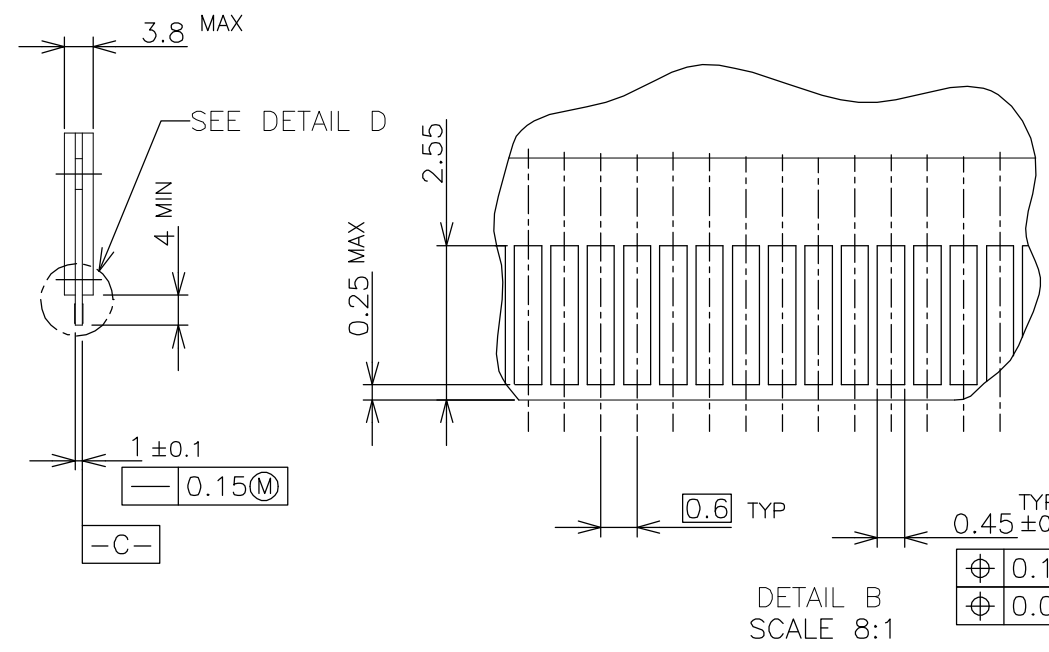
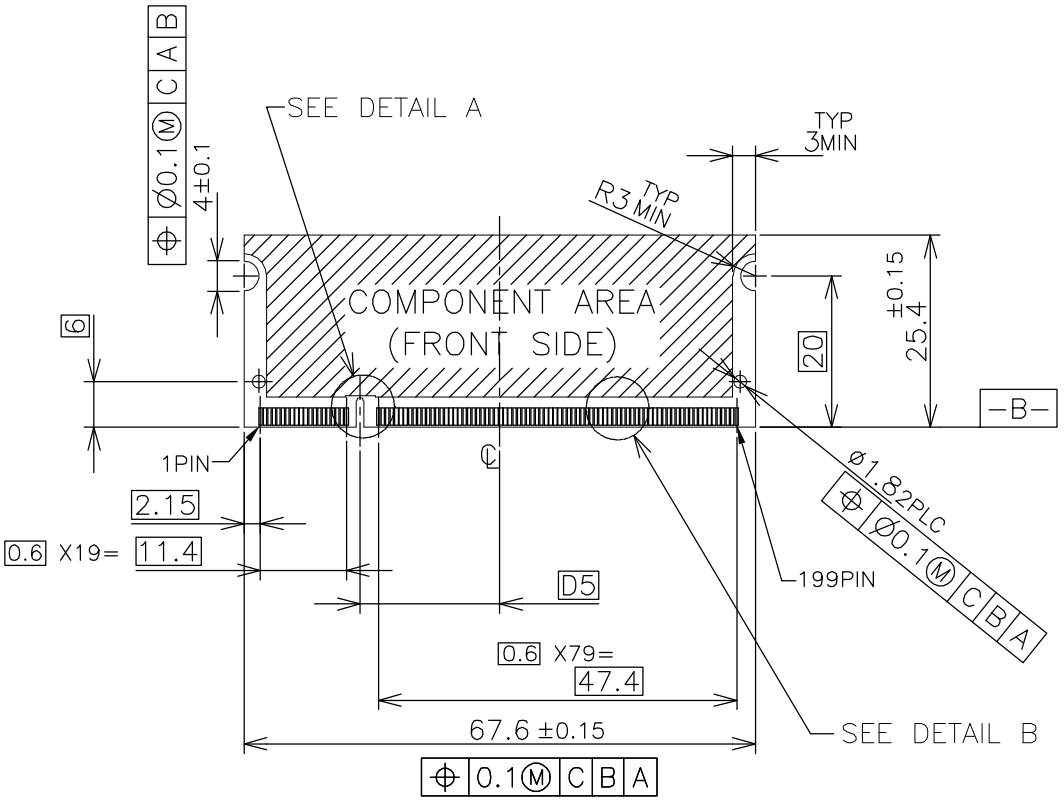


REFERENCE P.C.BOARD PATTERN LAYOUT FOR DUAL USE (CONNECTOR MOUNTING SIDE)

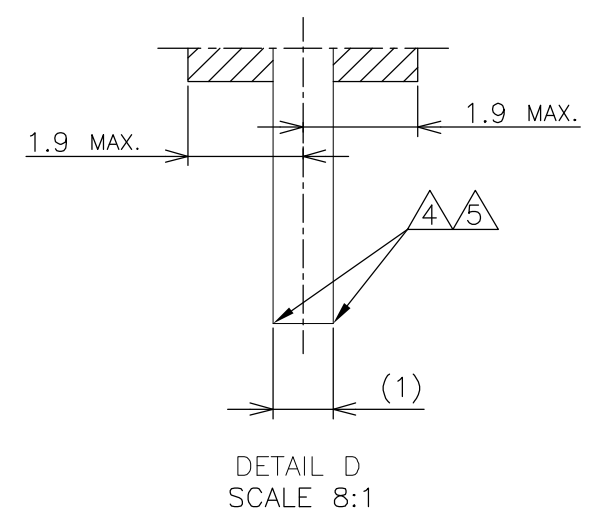
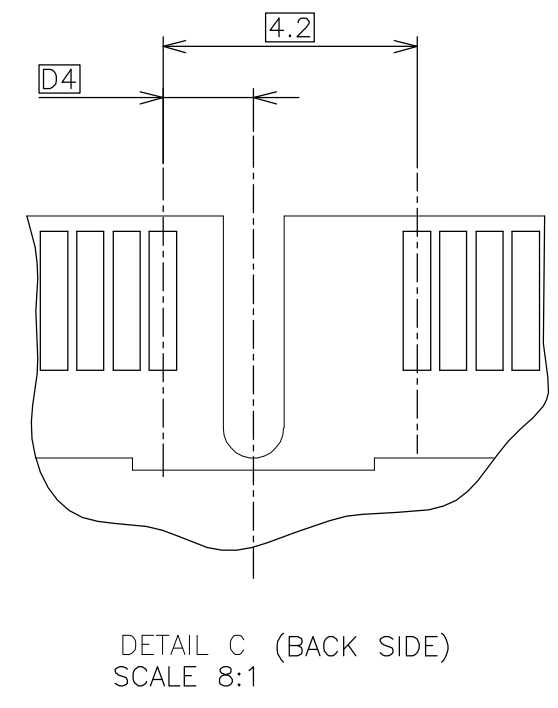
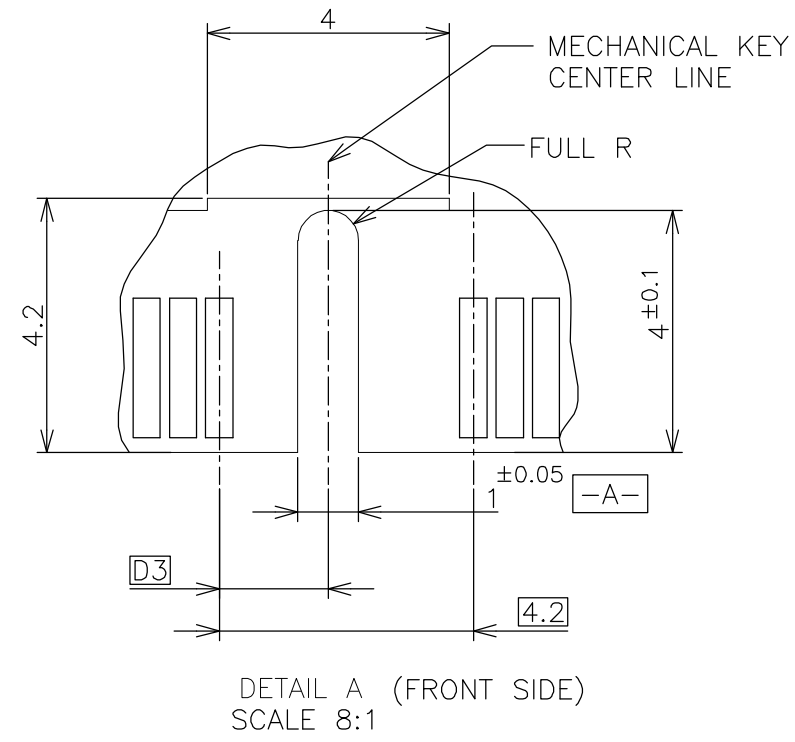
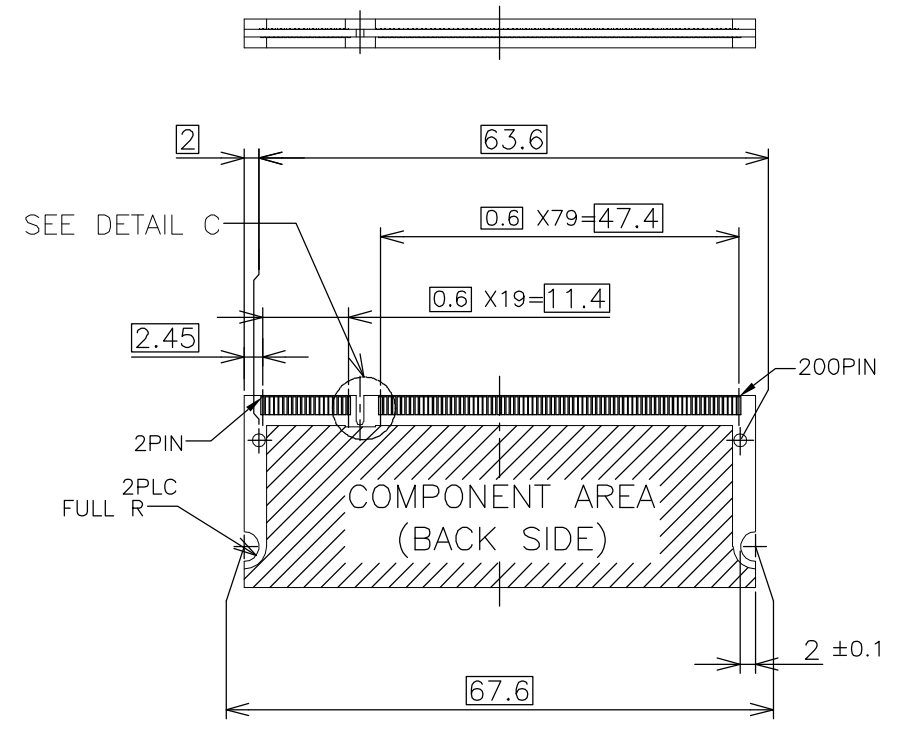
THIS DRAWING IS A CONTROLLED DOCUMENT.		DWN	Tyco Electronics AMP K.K. Kawasaki, Japan		
DIMENSIONS: MM		CHK			
TOLERANCES UNLESS OTHERWISE SPECIFIED:		APVD	NAME		
0 PLC ±		PRODUCT SPEC	DDR1 & DDR2 SODIMM SOCKET 0.6mm PITCH		
1 PLC ±		APPLICATION SPEC	200POS 8mm HEIGHT STANDARD TYPE		
2 PLC ±		WEIGHT	SIZE	CAGE CODE	DRAWING NO
3 PLC ±			A3	00779	C-1747407
4 PLC ±		CUSTOMER DRAWING	RESTRICTED TO	SCALE 2:1 SHEET 3 OF 4 REV B	
ANGLES ±					
FINISH					

THIS DRAWING IS UNPUBLISHED. RELEASED FOR PUBLICATION NOV. 2002.  
 © COPYRIGHT 2002 BY TYCO ELECTRONICS CORPORATION. ALL RIGHTS RESERVED.

LOC	DIST	REVISIONS					
		P	LTR	DESCRIPTION	DATE	DWN	APVD
J	-	-	-	SEE SHEET 1	-	-	-



- (APPLIED TO SHEET 4)
1. TOLERANCES ON ALL DIMENSIONS ±0.15 UNLESS OTHERWISE SPECIFIED.
  2. P.C.BOARD THICKNESS APPLIES ACROSS TABS AND INCLUDES PLATING AND/OR METALIZATION.
  3. FINISH OF PAD : GOLD PLATING 0.00076 MIN. OVER Ni PLATING 0.002MIN.
- △ NO BURR.  
 △ CHAMFER 0.25 MAX x 45° IF EXIST.



RECOMMENDED MATING P.C.B CONFIGURATION

THIS DRAWING IS A CONTROLLED DOCUMENT.		DWN		Tyco Electronics AMP K.K. Kawasaki, Japan	
DIMENSIONS: MM		CHK			
TOLERANCES UNLESS OTHERWISE SPECIFIED:		APVD			
0 PLC ± 1 PLC ± 2 PLC ± 3 PLC ± 4 PLC ± ANGLES ± MATERIAL FINISH		NAME DDR1 & DDR2 SODIMM SOCKET 0.6mm PITCH 200POS 8mm HEIGHT STANDARD TYPE (LATCH DIRECT SOLDERING TYPE)			
MATERIAL		PRODUCT SPEC		SIZE	
MATERIAL		APPLICATION SPEC		CAGE CODE	
MATERIAL		WEIGHT		DRAWING NO	
MATERIAL		CUSTOMER DRAWING		RESTRICTED TO	
MATERIAL		SCALE 2:1		SHEET 4 OF 4	
MATERIAL		SCALE 2:1		REV B	